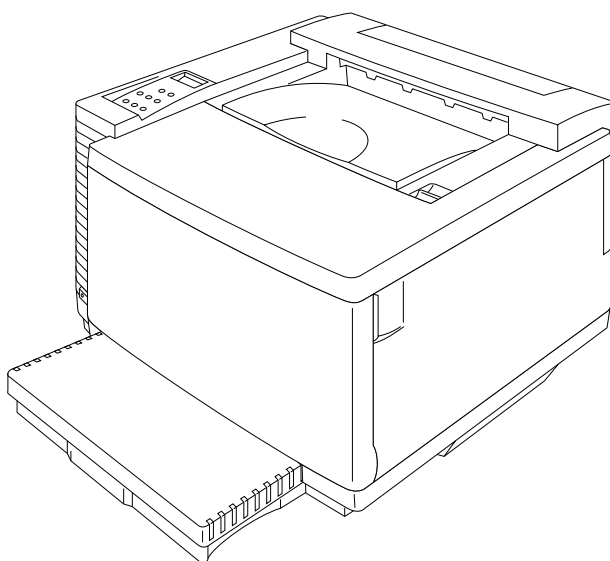




Brother Color Laser Printer **PARTS REFERENCE LIST**

MODEL: HL-3450CN



Read this list thoroughly before maintenance work.

Keep this list in a convenient place for quick and easy reference at all times.

January, 2002
PL-PRN033

NOTE FOR USING THIS PARTS REFERENCE LIST

1. In the case of ordering parts, it needs mentioning the following items:

- (1) Code
- (2) Q'ty
- (3) Description
- (4) Symbol (PCB / PWB No., Revision , and Parts location mounted on the PCB / PWB.)

Note : No orders without Parts Code or Tool No. can be accepted.

< Example >

REF.NO.	(1) CODE	(2) Q'TY	(3) DESCRIPTION	(4) SYMBOL	REMARK

Revision No.: marked on the main printed circuit board.

B48K056 - 201A



Revision No.: marked on the power supply PCB.

Rev: 0B



2. Design-changed parts :

If the parts are changed, any one of the following symbols is indicated in the REMARKS column.

- #A : compatible between old and new
- #B : replaceable from old to new
- #D : incompatible
- # : newly established

3. The original of this list was made based on the information available in January, 2002.

4. Parts are subject to change in design without prior notice.

TABLE OF CONTENTS

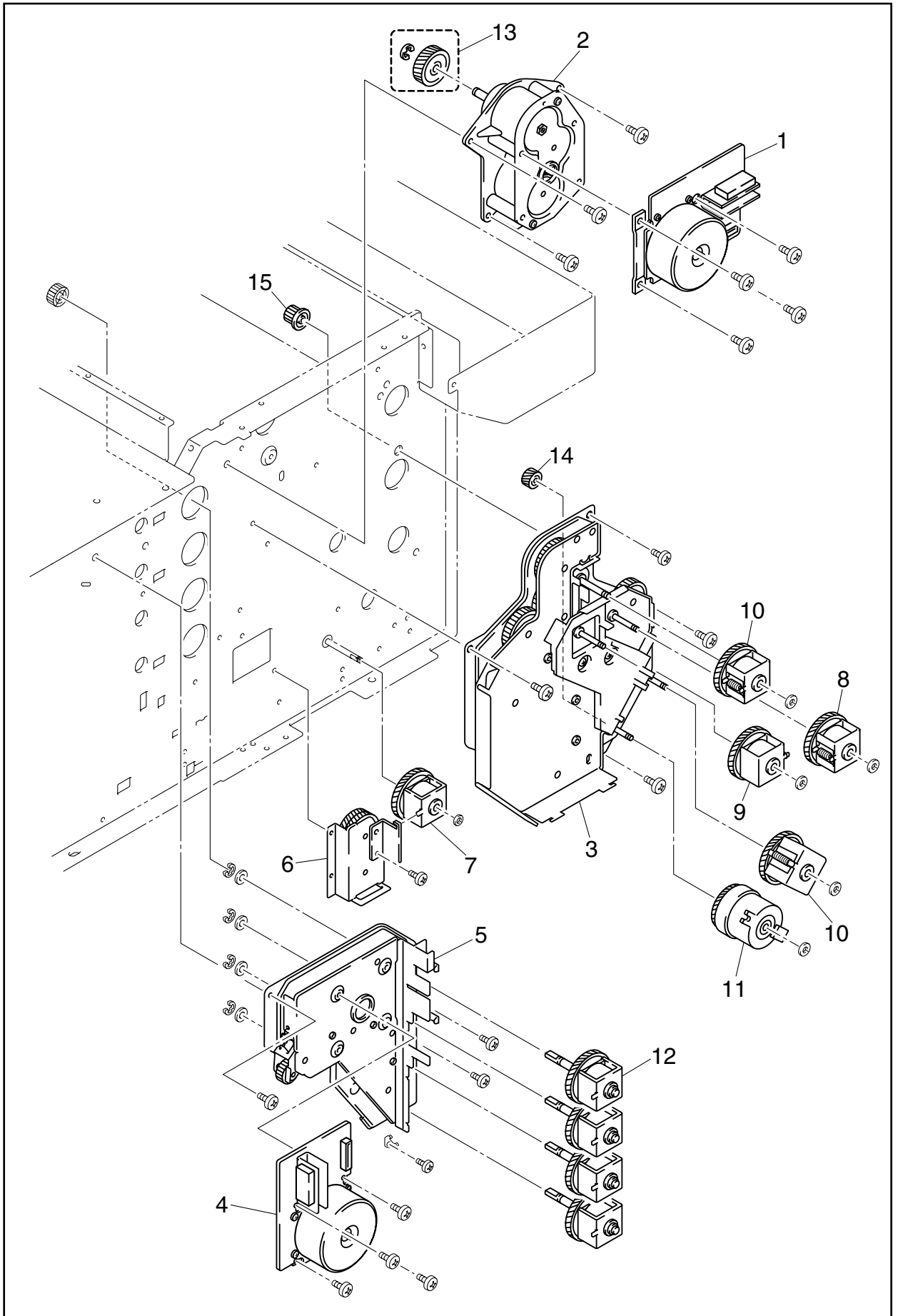
1.	DRIVE.....	1
2.	FRAME	3
3.	LASER UNIT.....	5
4.	MEDIA CASSETTE	5
5.	TRANSFER UNIT	7
6.	PAPER EXIT UNIT	7
7.	FUSING UNIT.....	9
8.	MAIN PCB	9
9.	COVER.....	11
10.	MCTL PWB.....	13
11.	IOD PWB	13
12.	LOW-VOLTAGE POWER SUPPLY UNIT	15
13.	HIGH-VOLTAGE POWER SUPPLY UNIT.....	15
14.	AC CORDS.....	17
15.	ACCESSORIES.....	17
16.	PACKING MATERIALS	19
17.	PERIODICAL REPLACEMENT PARTS.....	19
18.	HARD DISK (OPTION).....	21

1. DRIVE

REF.NO	CODE	Q'TY	DESCRIPTION	REMARK
1	LJ2231001	1	MAIN MOTOR 3	
2	LJ2232001	1	BD3 GEAR ASSY	
3	LJ2233001	1	MAIN GEAR UNIT 3	
4	LJ2234001	1	DEVELOPER DRIVE MOTOR 3	
5	LJ2235001	1	DEVELOPER DRIVE UNIT 3	
6	LJ2275001	1	EP3 GEAR ASSY	
7	UH3494001	1	PAPER PICK-UP CLUTCH	
8	LJ2227001	1	FUSER CLUTCH 3	
9	LJ2229001	1	CLEANER CLUTCH 3	
10	LM0976001	2	TRANSFER ROLLER CLUTCH 2 PU	CHG
11	UH3495001	1	REGIST CLUTCH	
12	LJ2228001	4	DEVELOPER CLUTCH 3	
13	LJ3723001	1	SL3 BD GEAR SET	
14	LJ3729001	1	SL3 DE GEAR L17	
15	LJ3730001	1	SL3 MD GEAR 15 (DC)	

MODEL HL-3450CN 54S-312

1. DRIVE



MODEL HL-3450CN 54S-312

2. FRAME

PR2002148

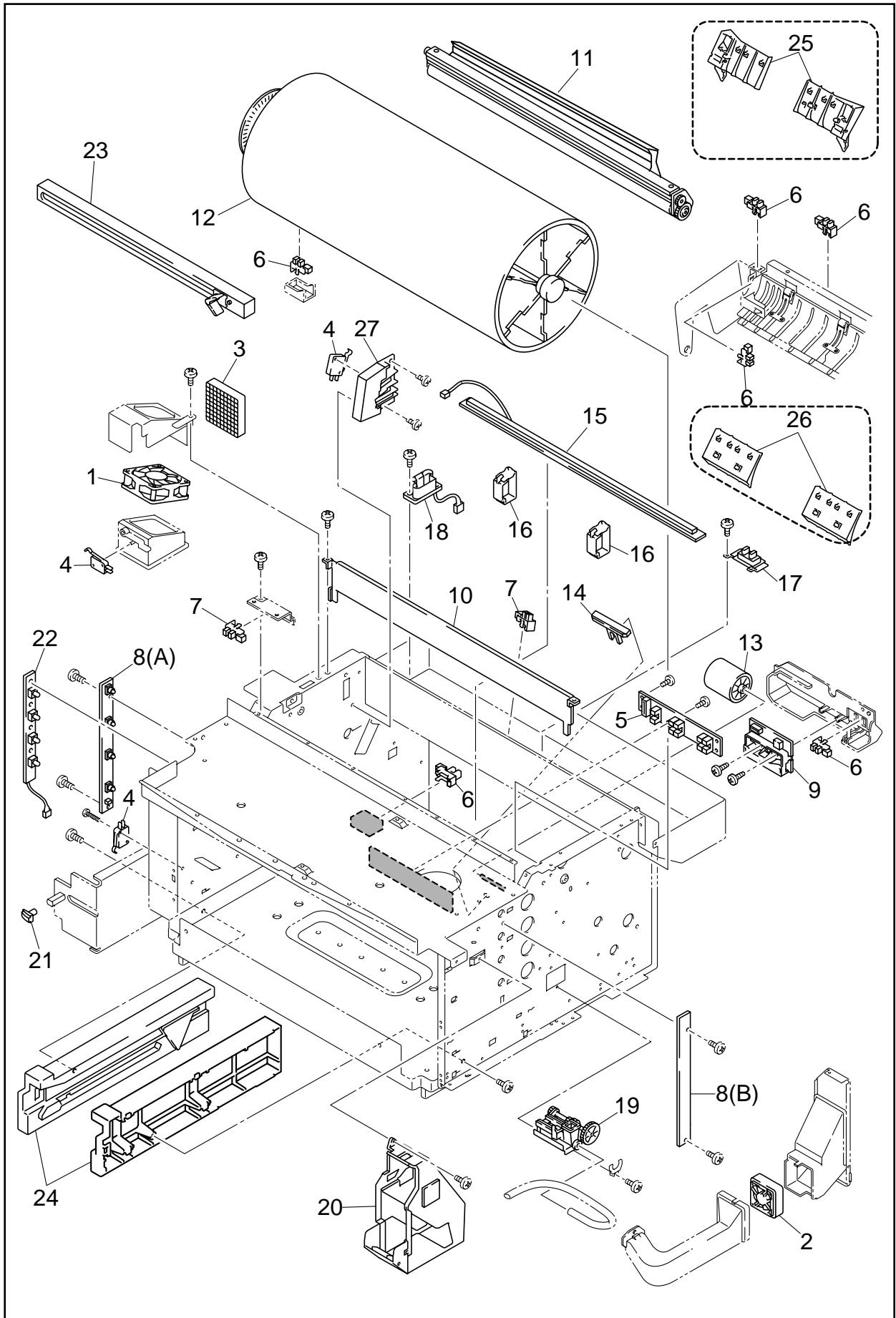
REF.NO	CODE	Q'TY	DESCRIPTION	REMARK
1	LJ2251001	1	COOLING FAN PS	
2	LJ2236001	1	COOLING FAN OZ	
3	LJ2272001	1	OZONE FILTER PS	
4	UH1946001	3	INTERLOCK SWITCH	
5	LJ2239001	1	PAPER SIZE SENSOR 3	
6	UH1948001	6	PAPER SENSOR	
7	UH1949001	2	BELT SENSOR	
8	LJ2242001	1	TONER SENSOR ASSY 3	A: Toner sensor (TTR) + B: Toner sensor (TPD)
9	LJ2243001	1	OHP SENSOR 3	
10	LJ2204001	1	WASTE TONER FEEDER 3 (U)	
11	LJ2214001	1	DRUM CLEANER 3	
12	LJ2215001	1	TRANSFER DRUM 3	
13	UH3485001	1	PAPER PICK-UP ROLLER	
14	LJ2317001	1	SEPARATOR PAD 2	
15	LJ2218001	1	ERASE LAMP 3	
16	LJ2274001	2	ERASE HOLDER	
17	UH3488001	1	OIL SENSOR	
18	LJ2224001	1	FUSER CONNECTOR 3	
19	LJ2248001	1	WASTE TONER FEEDER 3 (L)	
20	LJ2252001	1	WT HOLDER ASSY	
21	LJ2254001	1	SW BUTTON 3	
22	LJ2271001	1	TONER KEY SENSOR	
23	LJ3722001	1	SL3 BC CHARGER	
24	LJ3727001	1	FP3 CASSETTE GUIDE SET	
25	LM0347001	1	SL3 PAPER GUIDE D (A3) 2B (2pcs)	CHNG
26	LJ3728001	1	SL3 PAPER GUIDE D (2 pcs)	Against Transfer roller
27	LJ3731001	1	TR TERMINAL BASE 3	jams.(see the service manual for instruction and limitations)

MODEL HL-3450CN 54S-312

T/I No. PR2002134/PR2002148

2. FRAME

PR2002127



MODEL HL-3450CN 54S-312

T/I NO. PR2002134/PR2002127

3. LASER UNIT

REF.NO	CODE	Q'TY	DESCRIPTION	REMARK
1	LJ2213001	1	OPTICAL UNIT 3	

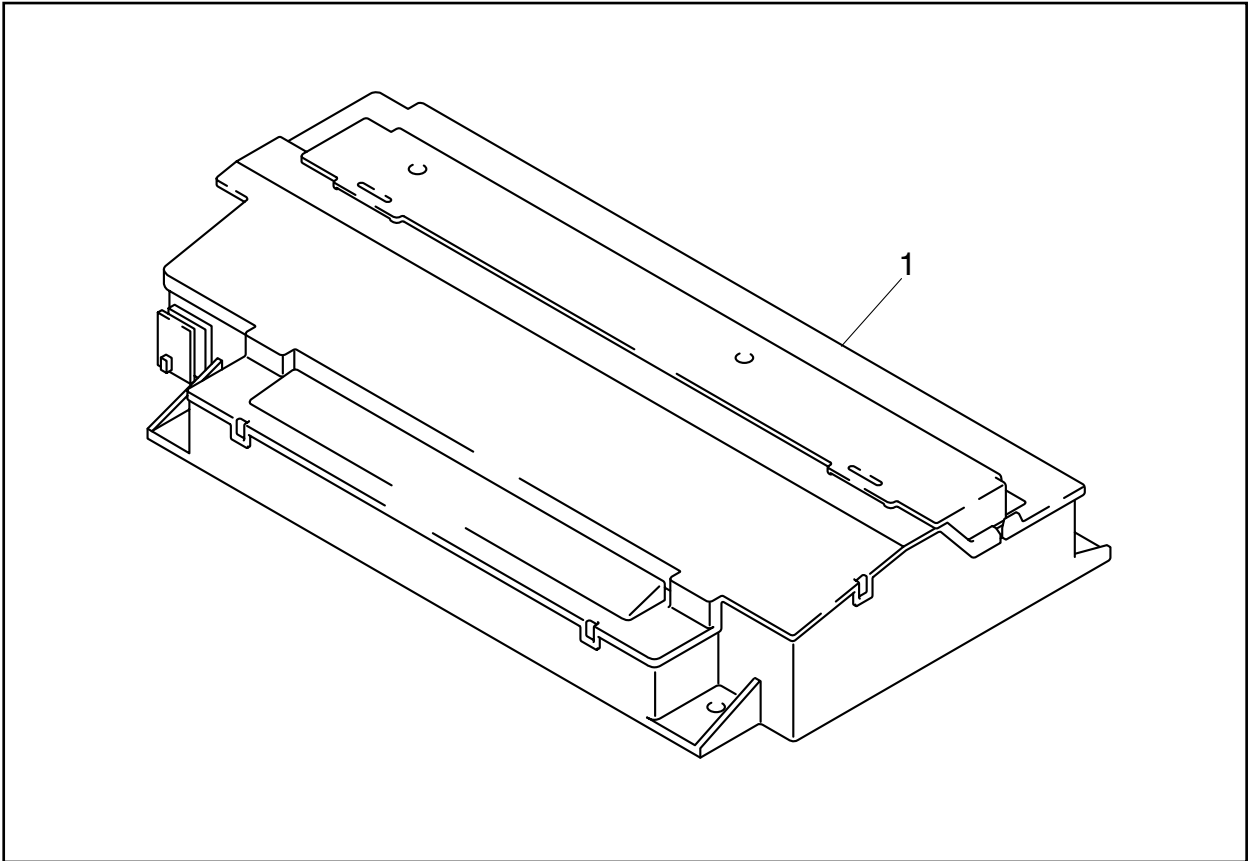
MODEL HL-3450CN 54S-312

4. MEDIA CASSETTE

REF.NO	CODE	Q'TY	DESCRIPTION	REMARK
1	LJ2273001	1	PAPER CASSETTE A3	
2	LJ2318001	1	ENVELOPE ADAPTOR 3	

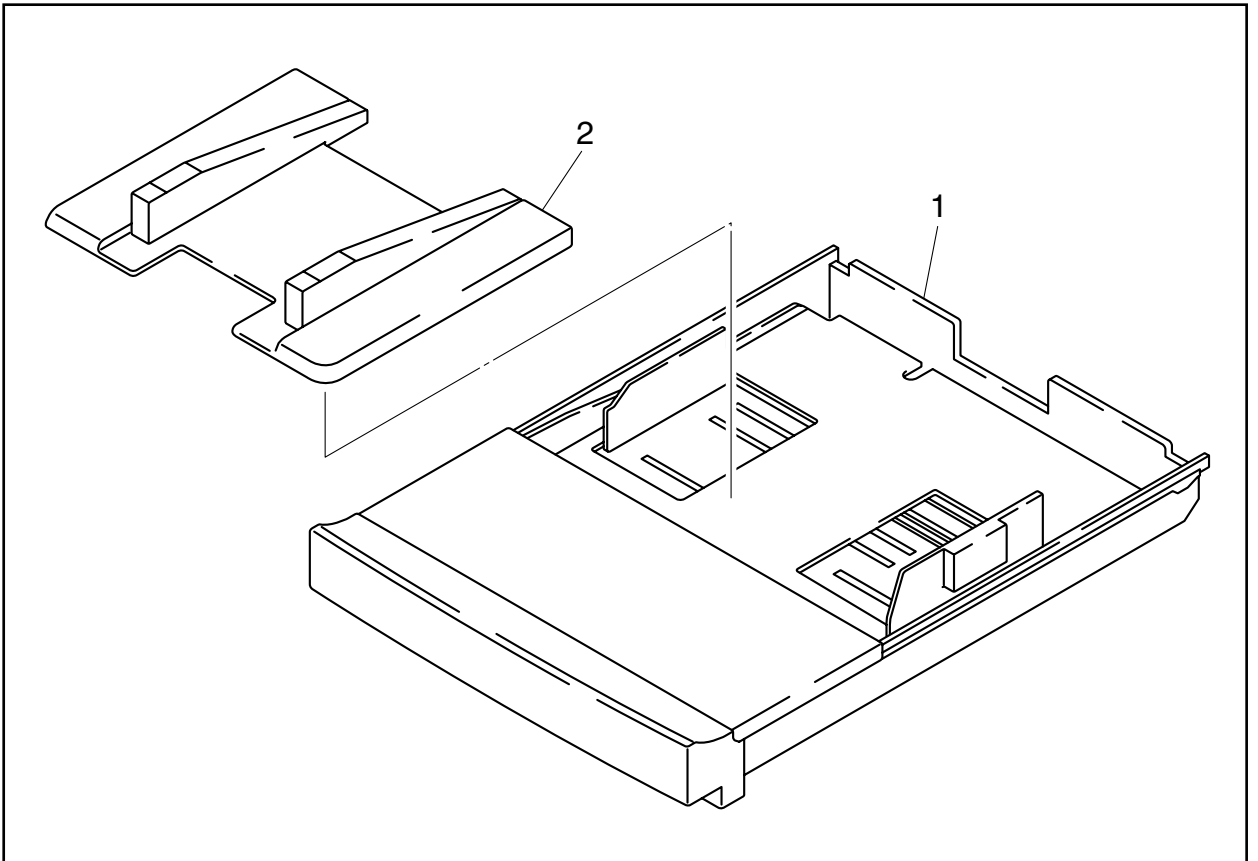
MODEL HL-3450CN 54S-312

3. LASER UNIT



MODEL HL-3450CN 54S-312

4. MEDIA CASSETTE



MODEL HL-3450CN 54S-312

5. TRANSFER UNIT

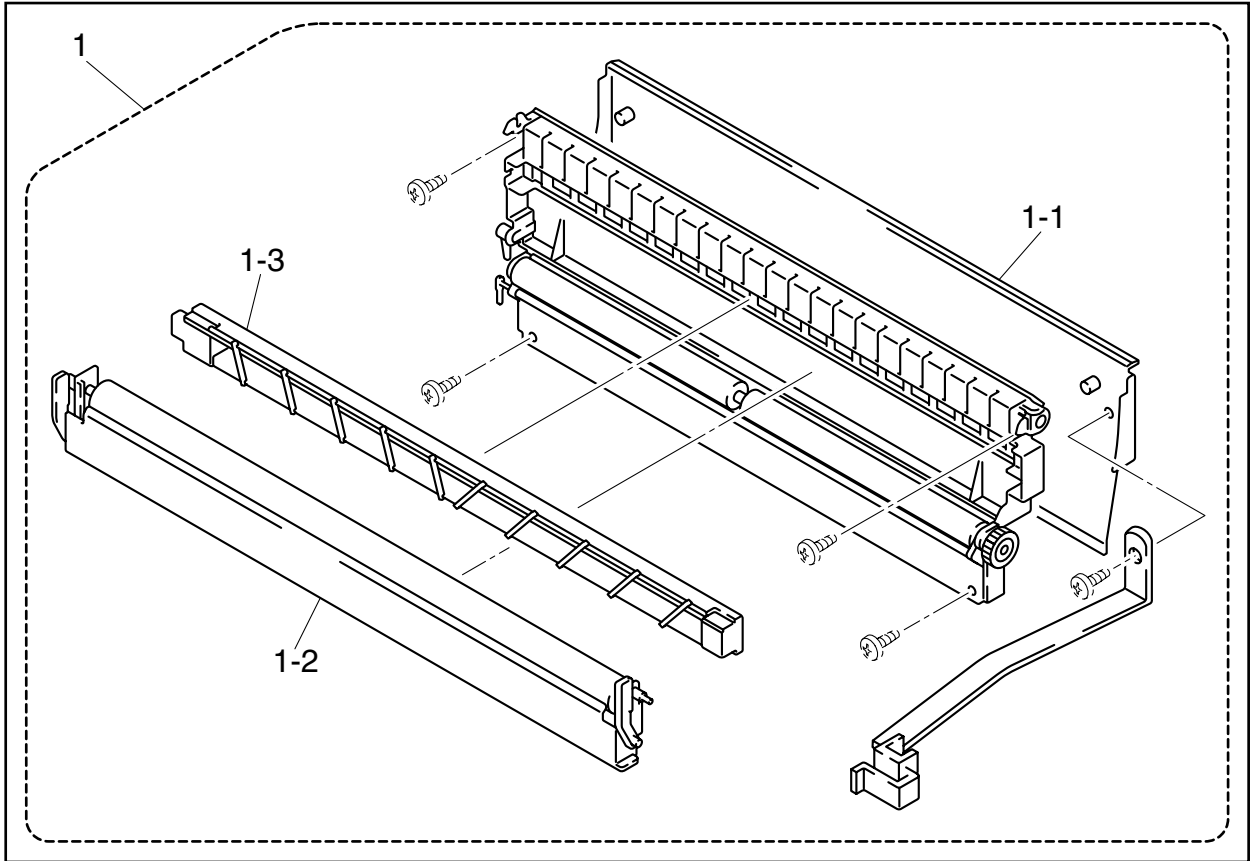
REF.NO	CODE	Q'TY	DESCRIPTION	REMARK
1	LJ2209001	1	TRANSFER UNIT 3	
1-1	LJ2210001	1	TR UNIT COVER 3	
1-2	LJ2211001	1	TRANSFER ROLLER 3	
1-3	LJ2212001	1	PAPER DISCHARGER 3	

6. PAPER EXIT UNIT

REF.NO	CODE	Q'TY	DESCRIPTION	REMARK
1	LJ2192001	1	PAPER EXIT UNIT 3	
1-1	LJ2193001	1	PAPER EXIT UNIT COVER 3	
1-2	LJ2194001	1	PAPER EXIT FRONT COVER 3	
1-3	LJ2195001	1	PAPER EXIT UPPER COVER 3	
1-4	LJ2196001	1	PAPER EXIT ROLLER 3	
1-5	LJ2197001	1	DISCHARGING BRUSH 3	
1-6	LJ2198001	1	COOLING FAN EX	
1-7	LJ2199001	1	PAPER EXIT FILTER	

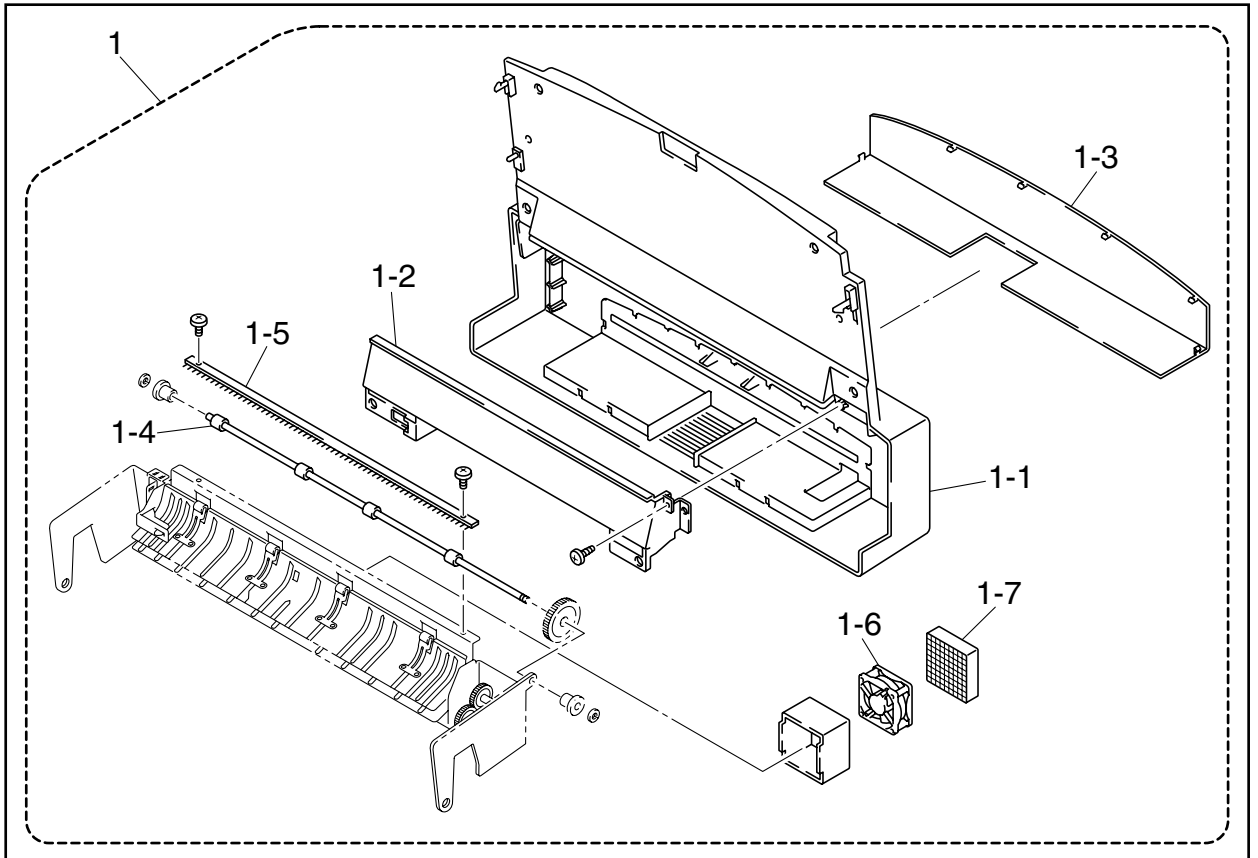
MODEL HL-3450CN 54S-312

5. TRANSFER UNIT



MODEL HL-3450CN 54S-312

6. PAPER EXIT UNIT



MODEL HL-3450CN 54S-312

7. FUSING UNIT

REF.NO	CODE	Q'TY	DESCRIPTION	REMARK
1	LJ2205001	1	FUSING UNIT 3 US2	
1	LJ2206001	1	FUSING UNIT 3 EC2	
1-1	LJ2207001	1	FUSING HEATER 3 US	
1-1	LJ2208001	1	FUSING HEATER 3 EC	
1-2	LJ2276001	1	OIL PAN UNIT 3	
1-2-1	LJ2329001	1	FU FELT 3 ASSY	
2	LJ3724001	1	SL3 FU GEAR SET	
3	LJ3725001	1	FU3 FUSING ROLLER	
4	LM0369001	1	FU3 BACK-UP ROLLER ASSY	chg
5	LJ3713001	1	P/R CLEANER	

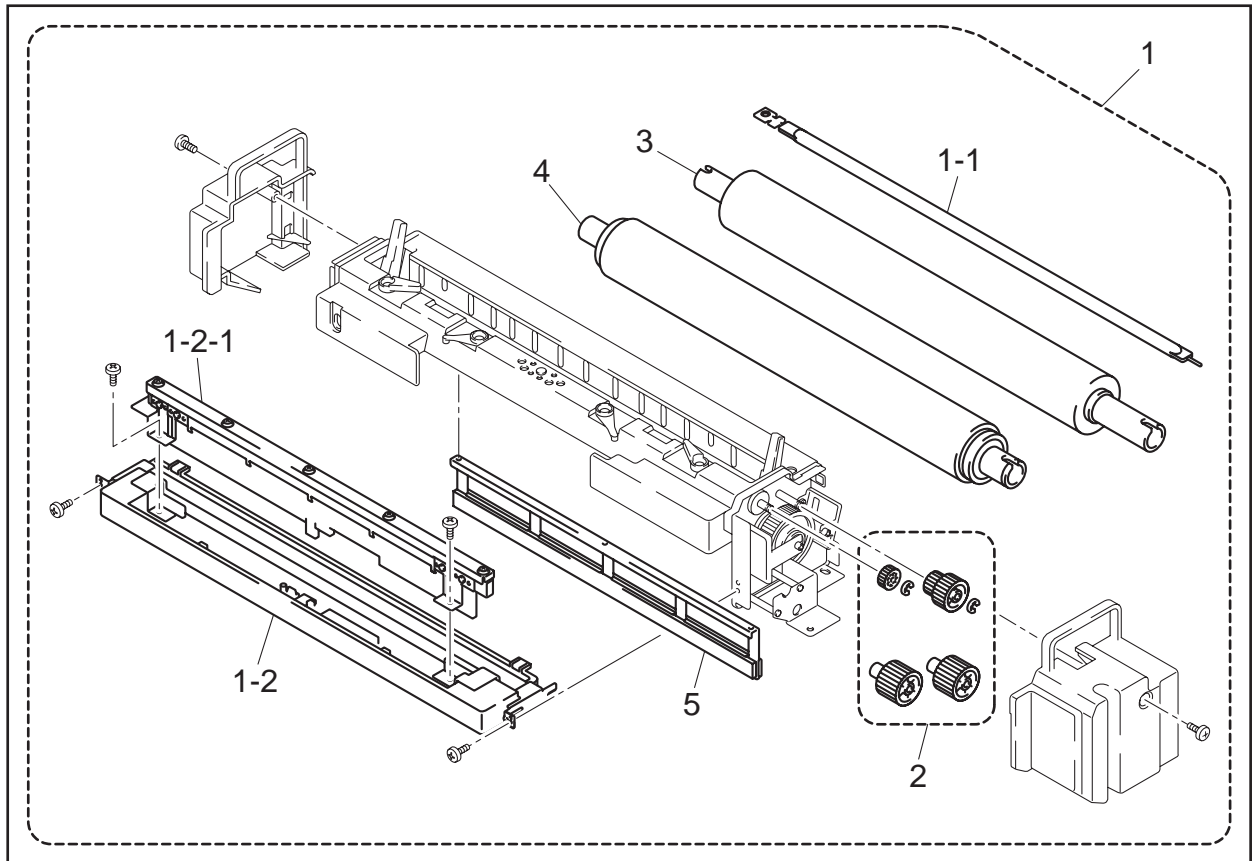
MODEL HL-3450CN 54S-312

8. MAIN PCB

REF.NO	CODE	Q'TY	DESCRIPTION	SYMBOL	REMARK
1	LJ8901001	1	MAIN PCB ASSY, HL3450CN	101K	VER.CHNG
2	LJ8903001	1	DIMM:PM-HP-64M-BR		
3	LJ3733001	1	MAIN PCB BASE PLATE		
4	LJ8671001	1	BRNET PCB UNIT 4100H		

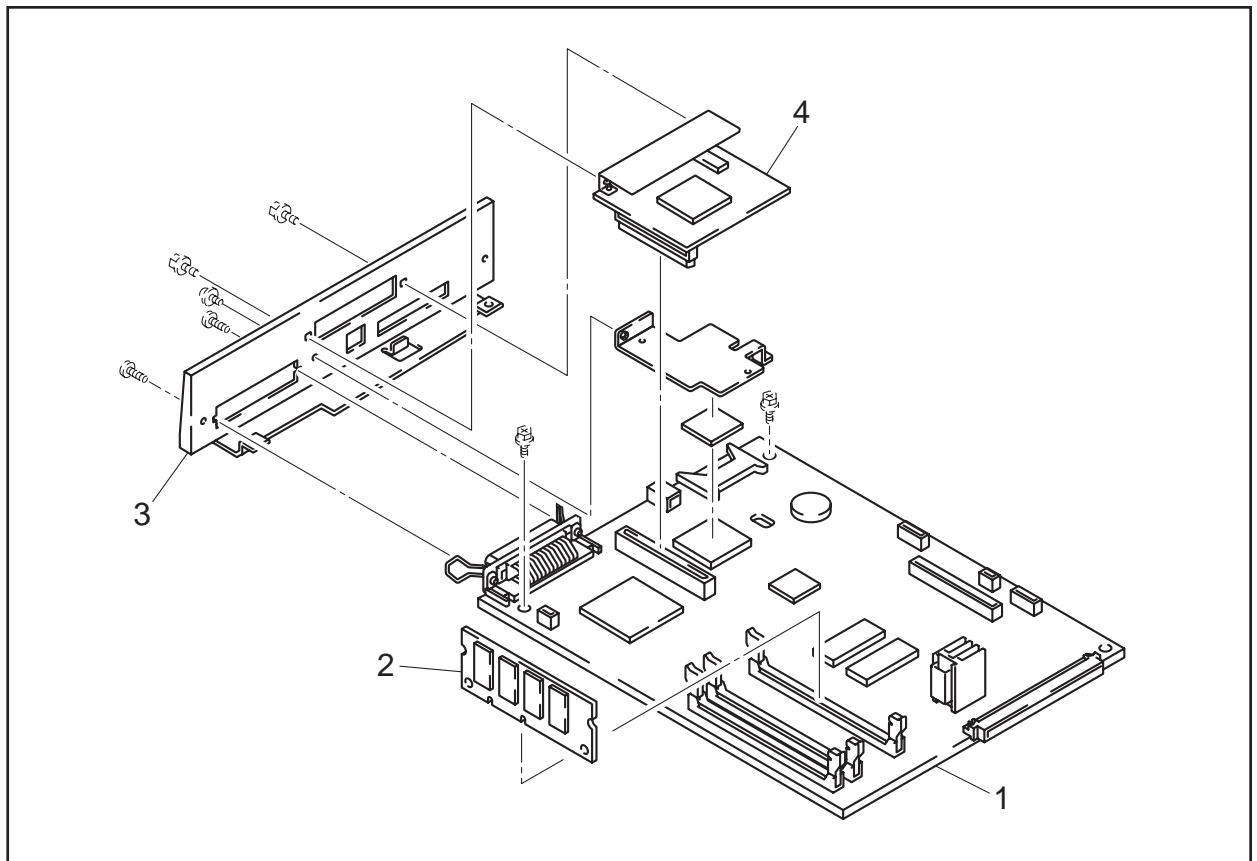
MODEL HL-3450CN 54S-312

7. FUSING UNIT



MODEL HL-3450CN 54S-312

8. MAIN PCB



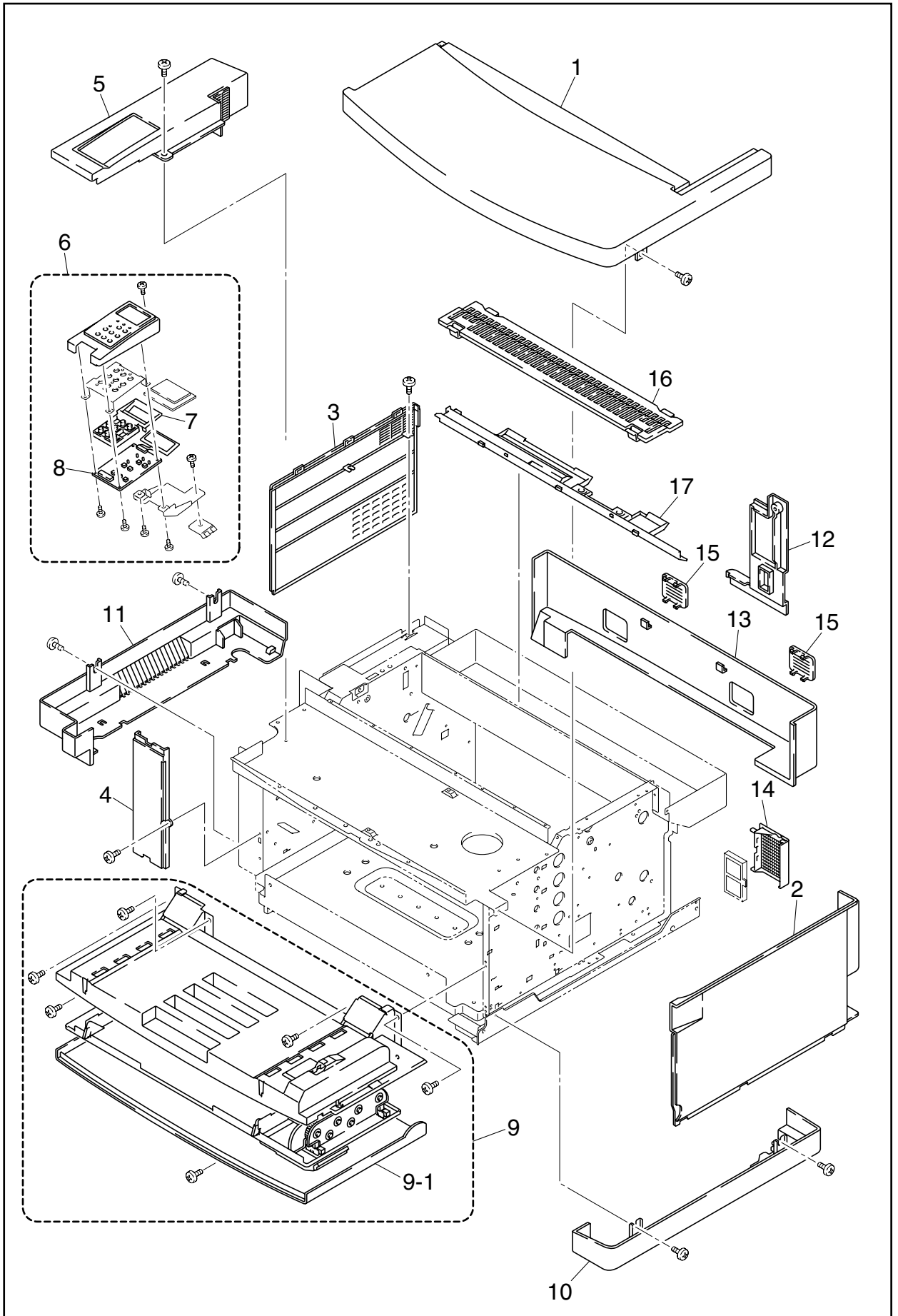
MODEL HL-3450CN 54S-312

9. COVER

REF.NO	CODE	Q'TY	DESCRIPTION	REMARK
1	LJ2182001	1	TOP COVER 3	
2	LJ2183001	1	SIDE COVER 3 (R)	
3	LJ2184001	1	SIDE COVER 3 (L)	
4	LJ2185001	1	SIDE FRONT COVER 3 (L)	
5	LJ2186001	1	UPPER SIDE COVER 3	
6	LJ2187001	1	PANEL CASE ASSY	
7	UH3455001	1	PANEL BUTTON	
8	UH3456001	1	PANEL PWB	
9	LJ2190001	1	FRONT COVER UNIT 3	
9-1	LJ2191001	1	FRONT COVER 3	
10	LJ2200001	1	BASE COVER 3 (R)	
11	LJ2201001	1	BASE COVER 3 (L)	
12	LJ2202001	1	REAR COVER 3	
13	LJ2203001	1	REAR COVER 3 (U)	
14	LM0310001	1	OZONE FILTER E	
15	LM0311001	1	OZONE FILTER COVER E	
16	LJ2250001	2	REAR COVER U CAP	
17	LJ2253001	1	CLEANER COVER 3	

MODEL HL-3450CN 54S-312

9. COVER



MODEL HL-3450CN 54S-312

10. MCTL PWB

REF.NO	CODE	Q'TY	DESCRIPTION	SYMBOL	REMARK
1	LJ9113001	1	MCTL PWB A3 2		
1	LJ9114001	1	MCTL PWB A3 EC F2		

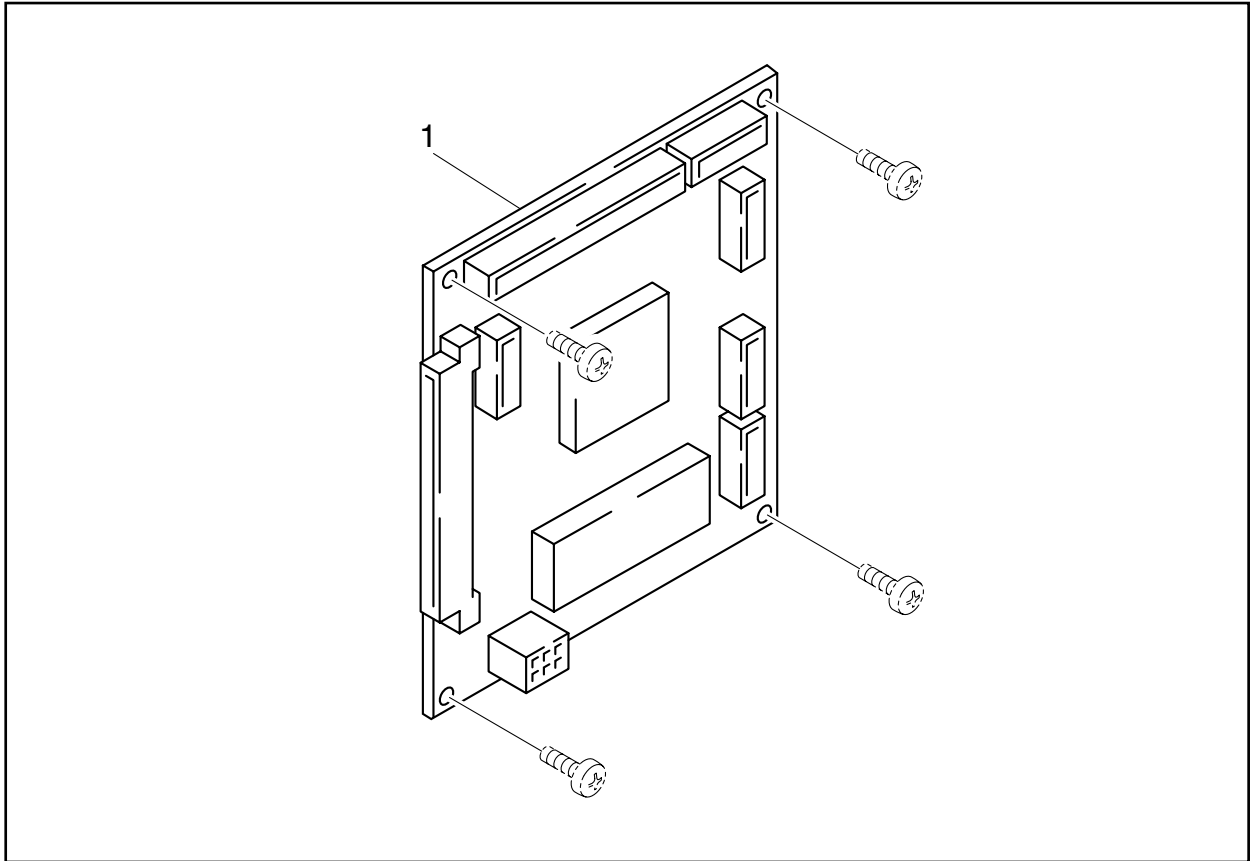
MODEL HL-3450CN 54S-312

11. IOD PWB

REF.NO	CODE	Q'TY	DESCRIPTION	REMARK
1	LJ2245001	1	IOD1 PWB 3	
2	LJ2246001	1	IOD2 PWB 3	

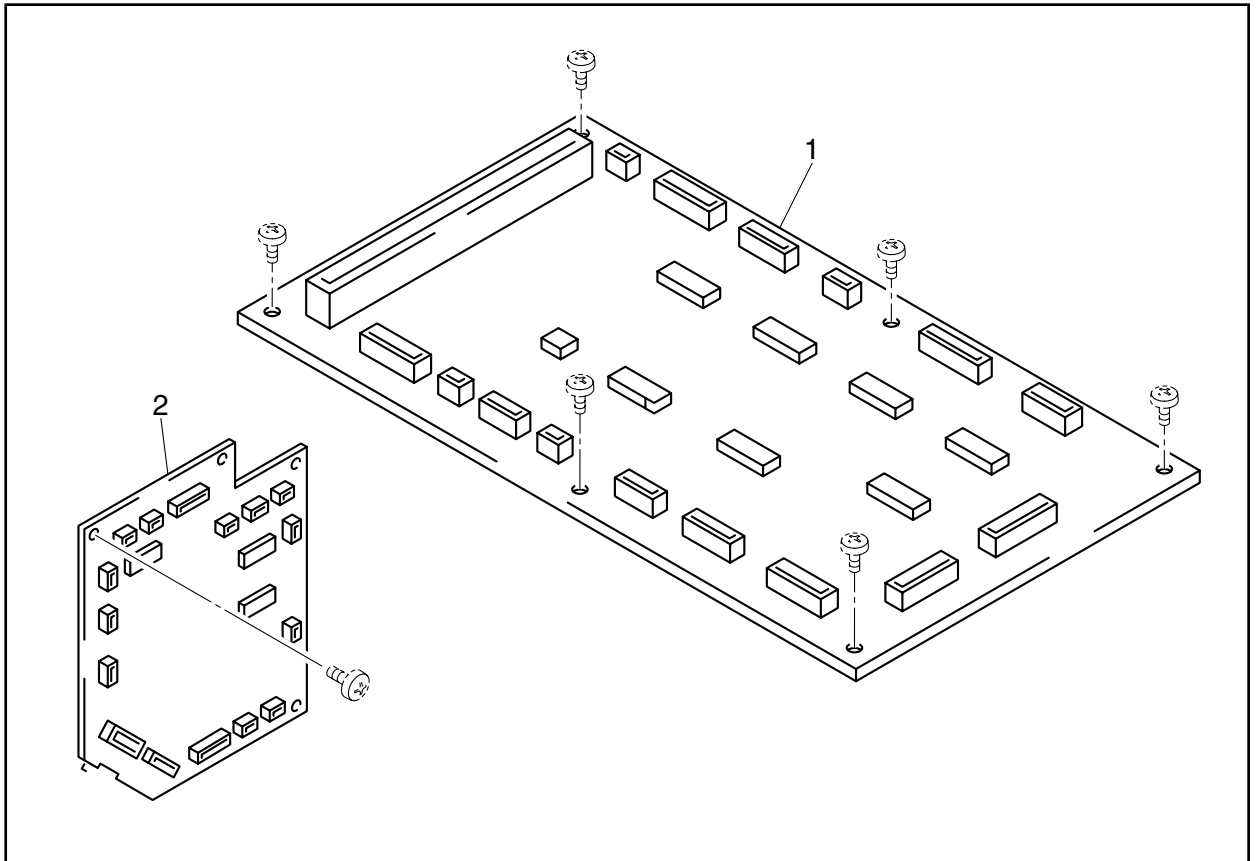
MODEL HL-3450CN 54S-312

10. MCTL PWB



MODEL HL-3450CN 54S-312

11. IOD PWB



MODEL HL-3450CN 54S-312

12. LOW-VOLTAGE POWER SUPPLY UNIT

REF.NO	CODE	Q'TY	DESCRIPTION	SYMBOL	REMARK
1	LJ2222001	1	POWER SUPPLY UNIT 3 US	Rev: D	
1	LJ2764001	1	POWER SUPPLY UNIT 3 EC F	Rev: C	

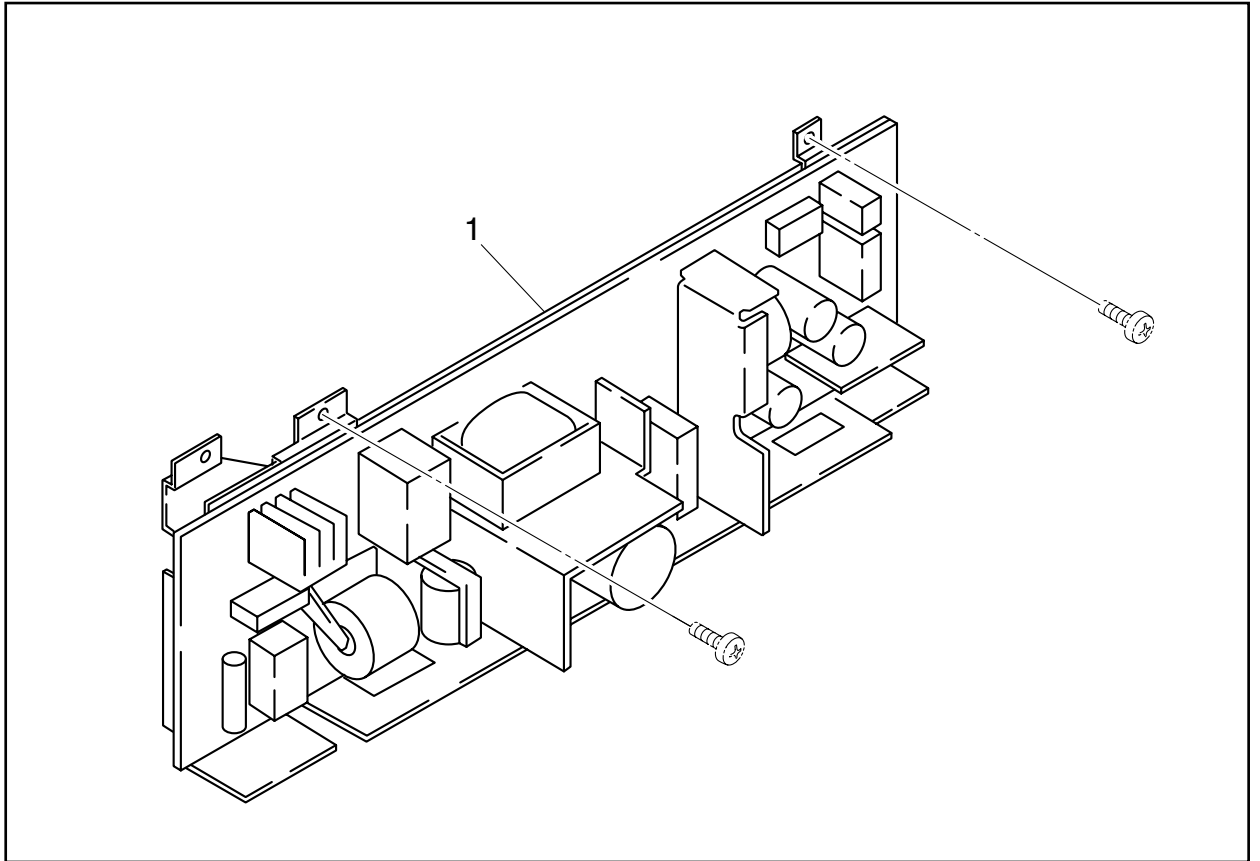
MODEL HL-3450CN 54S-312

13. HIGH-VOLTAGE POWER SUPPLY UNIT

REF.NO	CODE	Q'TY	DESCRIPTION	REMARK
1	LJ9115001	1	HIGH VOLTAGE UNIT 3 (2)	

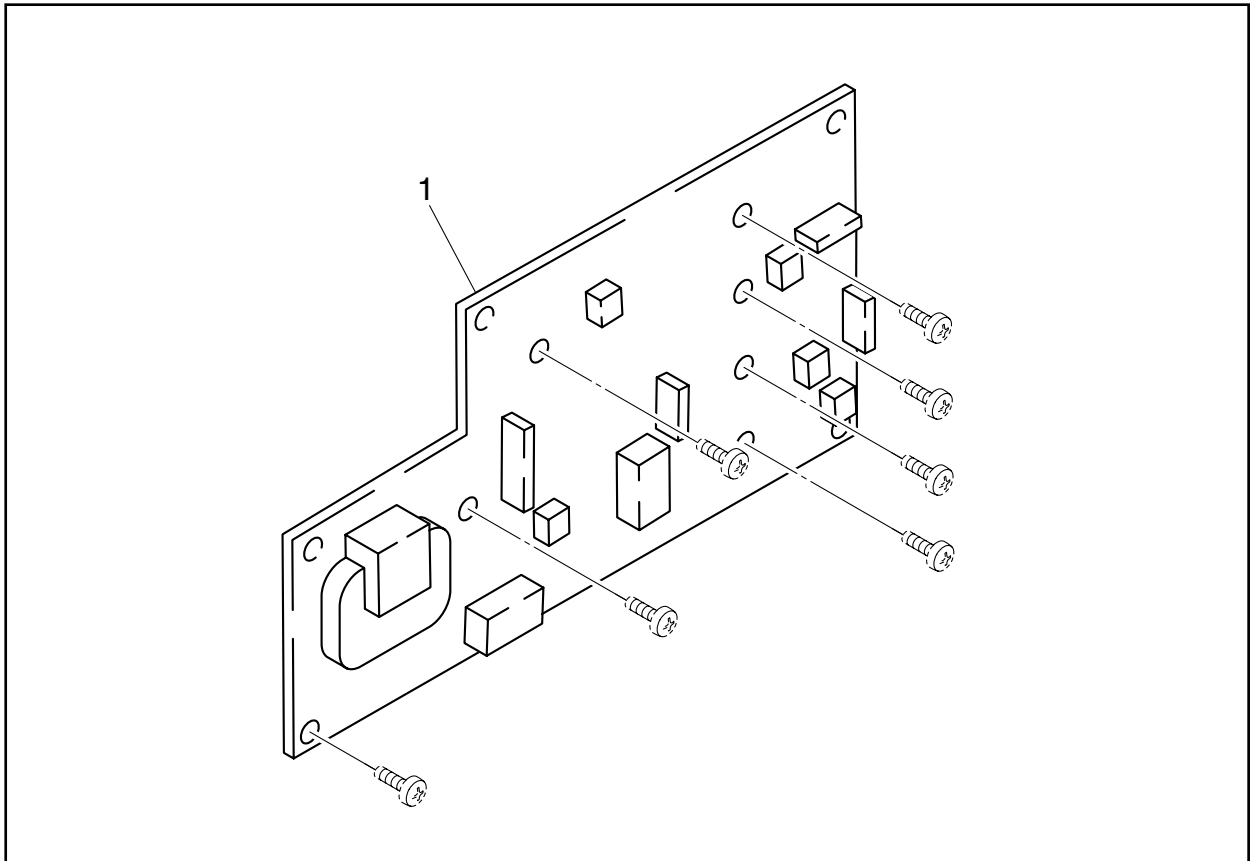
MODEL HL-3450CN 54S-312

12. LOW-VOLTAGE POWER SUPPLY UNIT



MODEL HL-3450CN 54S-312

13. HIGH-VOLTAGE POWER SUPPLY UNIT



MODEL HL-3450CN 54S-312

14. AC CORDS

REF.NO	CODE	Q'TY	DESCRIPTION	REMARK
1A	UH1933001	1	AC CORD, US/CSA	

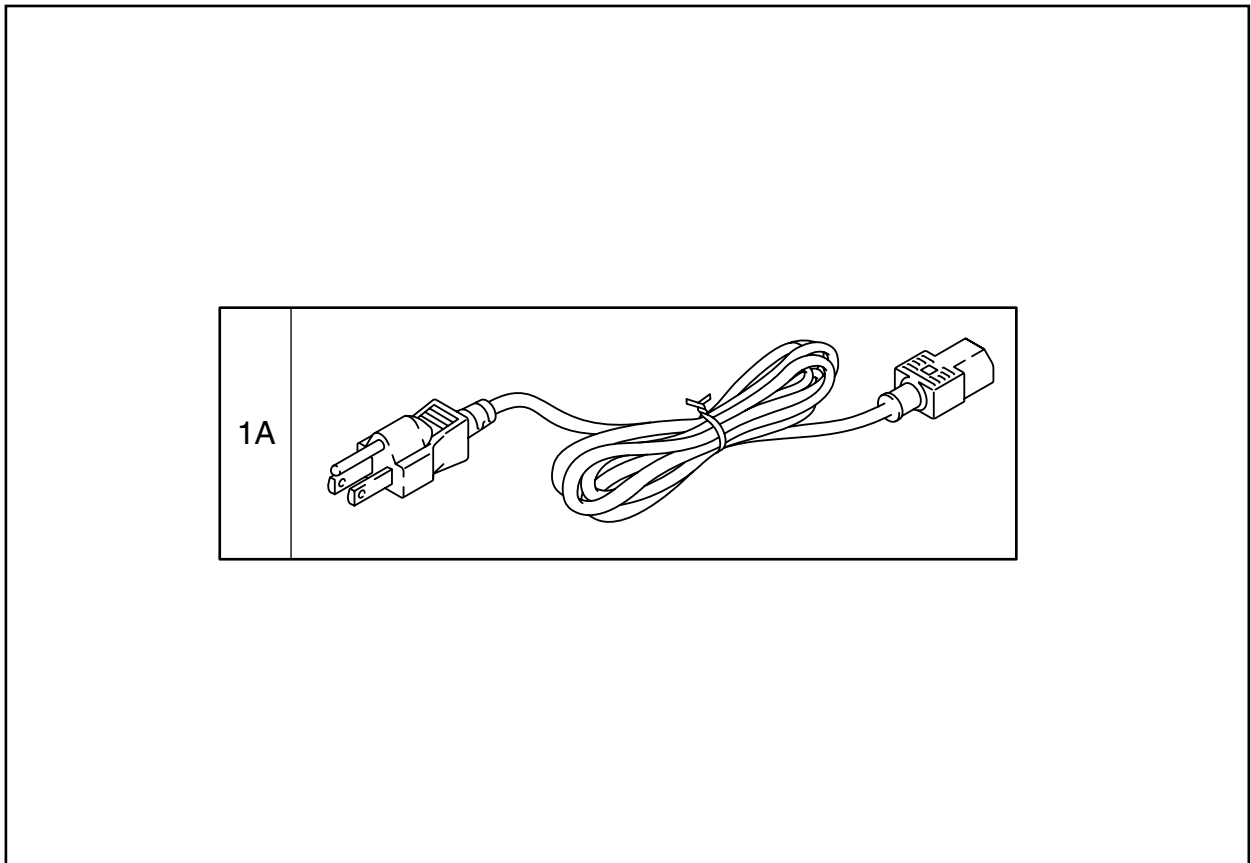
MODEL HL-3450CN 54S-312

15. ACCESSORIES

REF.NO	CODE	Q'TY	DESCRIPTION	REMARK
1	LJ8934001	1	CD ASSY HL-C	
1	LM0129001	1	BC-1000 CD ASSY	
2	LJ3765001	1	SET GUIDE, ENG	
3	LJ3748001	1	DRIVER SET GUIDE WIN, ENG	
3	LJ3944001	1	DRIVER SET GUIDE MAC, ENG	
4	LJ4961001	1	BAG 215X350H	

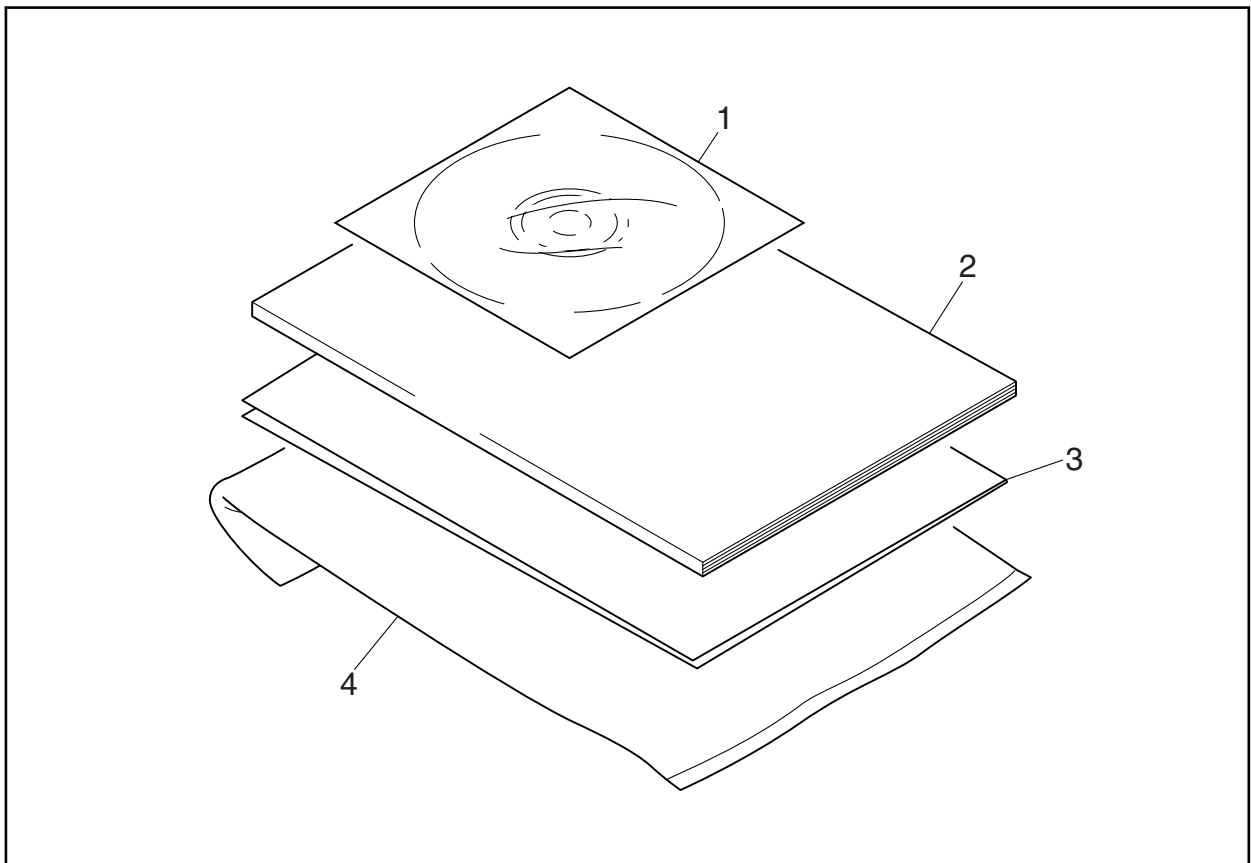
MODEL HL-3450CN 54S-312

14. AC CORDS



MODEL HL-3450CN 54S-312

15. ACCESSORIES



MODEL HL-3450CN 54S-312

16. PACKING MATERIALS

PR2002175

REF.NO	CODE	Q'TY	DESCRIPTION	REMARK
1	LL0134001	1	ST PACKING SET 3 (B)	
2	LL0199001	1	BASE SET 3 (B)	
3	LL0132001	1	PALLET 3 (B)	
4	LL0489001	1	CARTON, HL-3450CN	
5	LM0130001	1	READ ME FIRST SHEET	
6	LL0133001	1	BAG,EN	
7	LM0358001	1	L SUPPORT (4pcs)	ADD

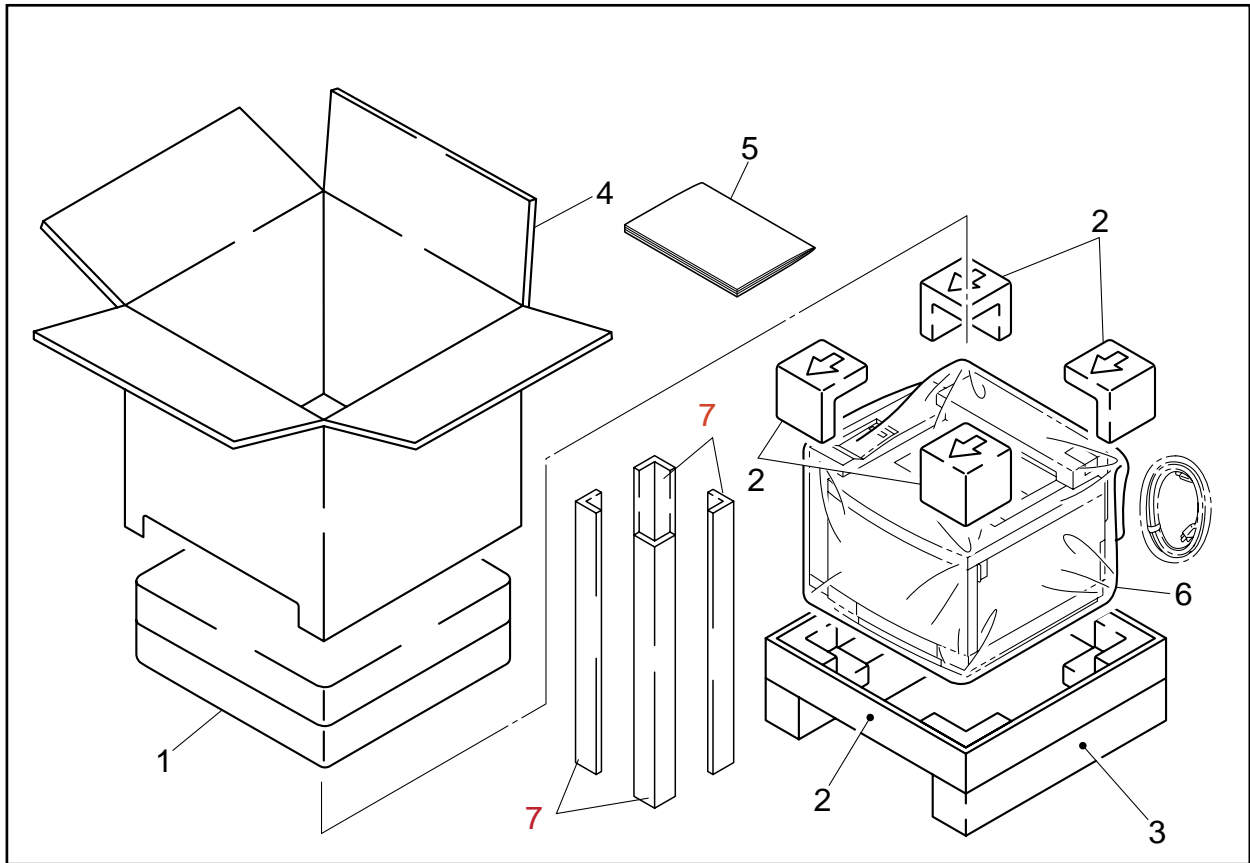
MODEL HL-3450CN 54S-312

T/I NO. PR2002175

17. PERIODICAL REPLACEMENT PARTS

REF.NO	CODE	Q'TY	DESCRIPTION	REMARK
1	LJ2319001	1	240K KIT	
2	LJ2320001	1	120K KIT	
3	LJ2321001	1	PAPER FEEDING KIT	
4	LJ2322001	1	70K KIT US2	
4	LJ2323001	1	70K KIT EC2	

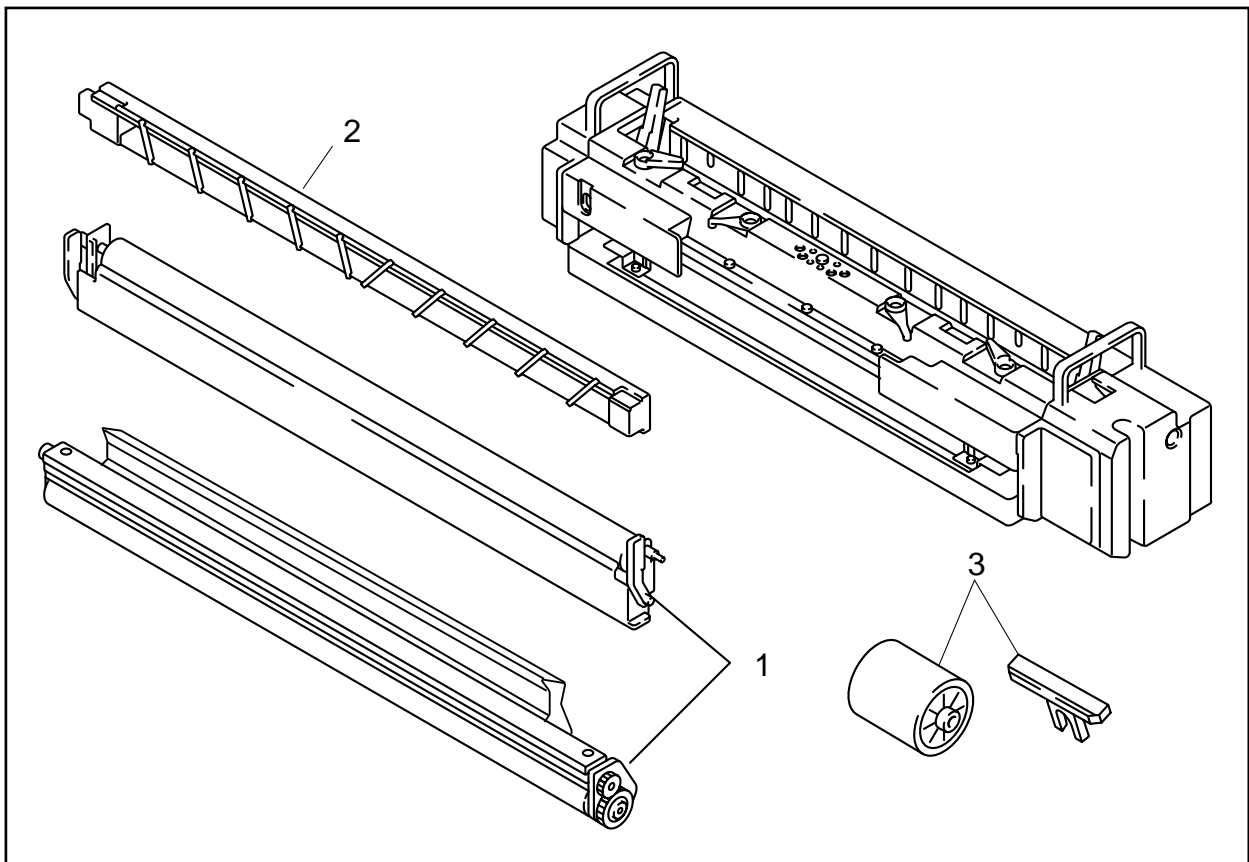
MODEL HL-3450CN 54S-312



MODEL HL-3450CN 54S-312

T/I NO. PR2002175

17. PERIODICAL REPLACEMENT PARTS



MODEL HL-3450CN 54S-312

T/I PR2002127

18. HARD DISK (OPTION)

REF.NO	CODE	Q'TY	DESCRIPTION	REMARK
1	LJ2256001	1	HDD CABLE	
2	LJ2257001	4	SHOULDER SCREW	
3	087320616	4	TAPTITE, CUP S M3X6	

MODEL HL-3450CN 54S-312

19. OPC CHARGER 3P

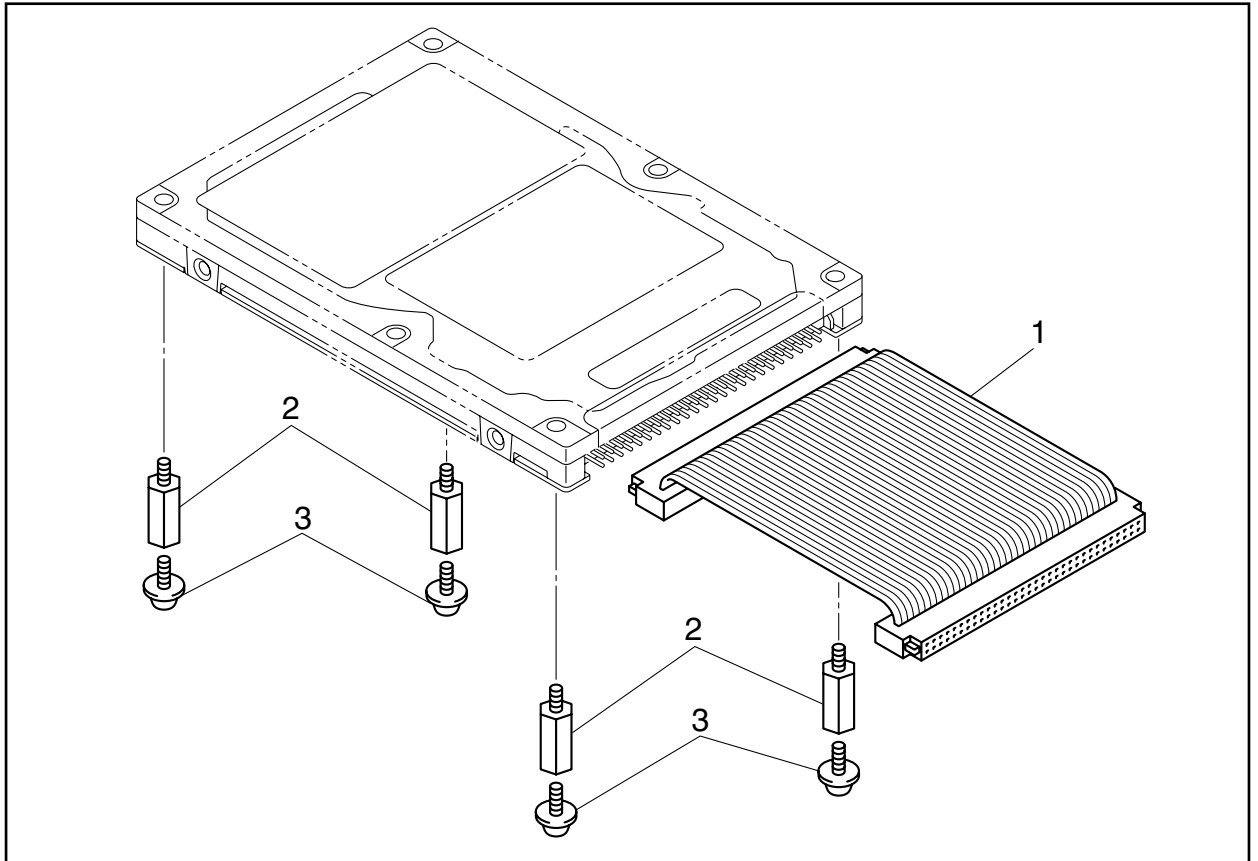
PR2002160

REF.NO	CODE	Q'TY	DESCRIPTION	REMARK
1	LM0346001	1	OPC CHARGER 3P	ADD

MODEL HL-3450CN 54S-312

T/I NO. PR2002160

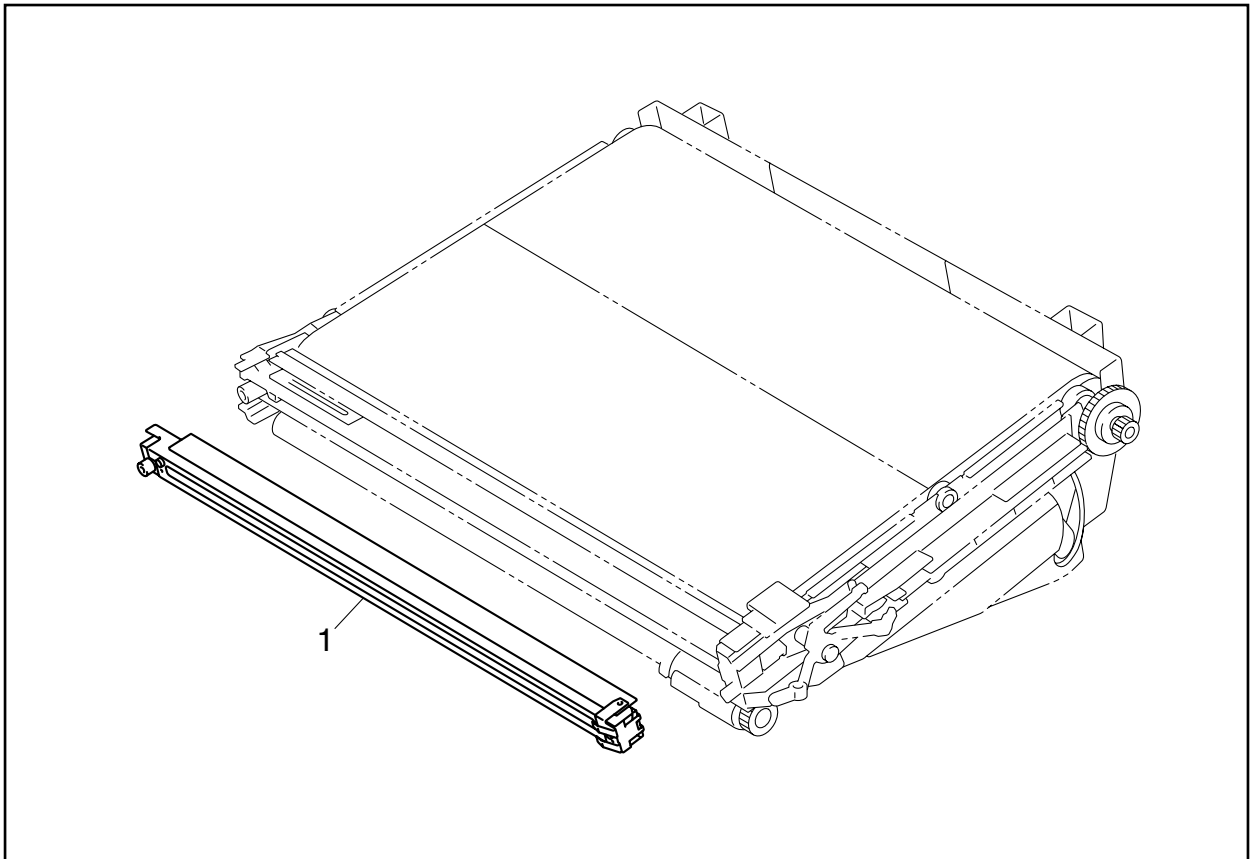
18. HARD DISK (OPTION)



MODEL HL-3450CN 54S-312

PR2002160

19 OPC CHARGER 3P



MODEL HL-3450CN 54S-312

T/I NO. PR2002160