

# 7. Parts catalog

---

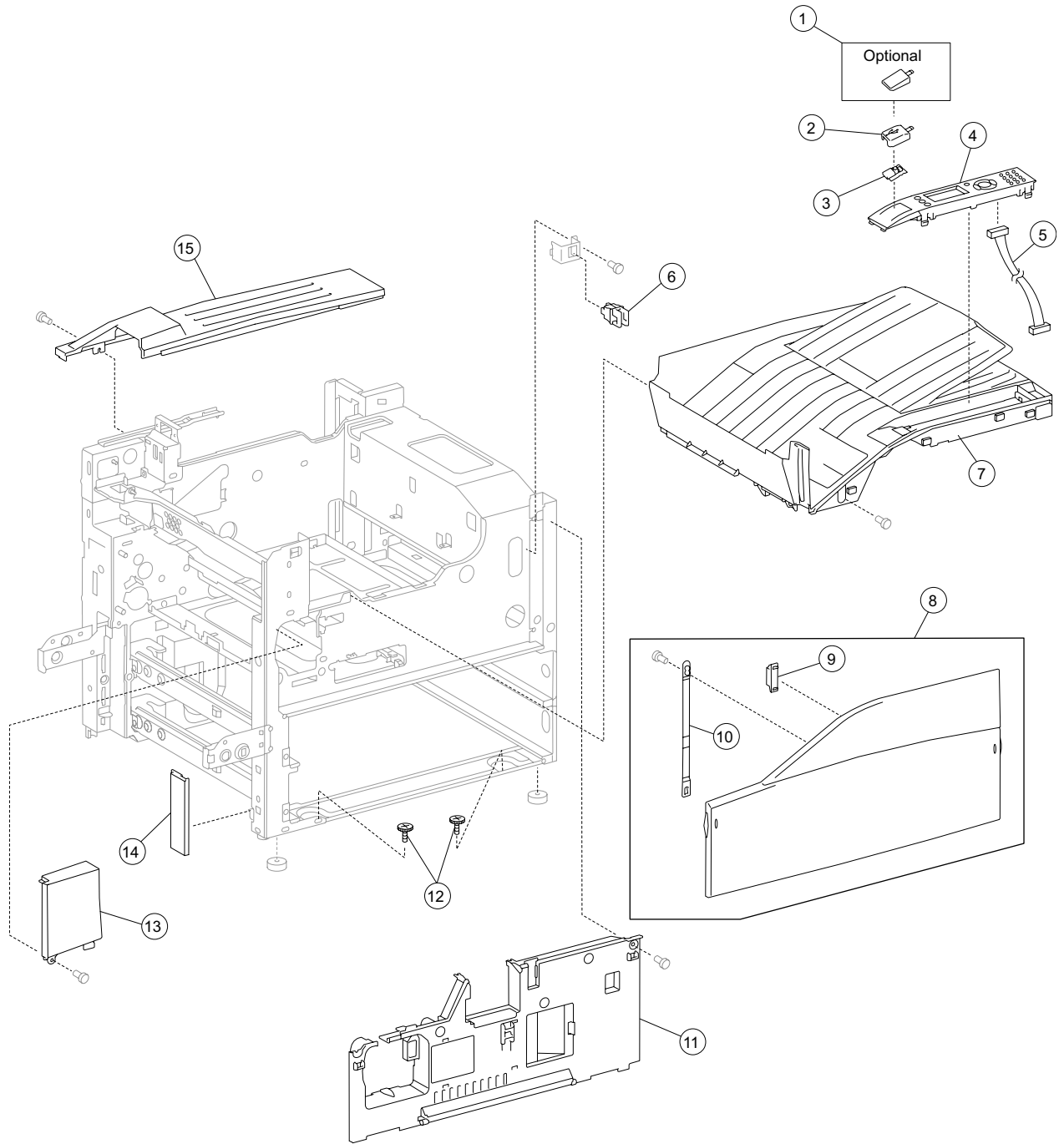
## How to use this parts catalog

The following legend is used in the parts catalog:

Assem bly- Index	Part number	Units/mach	Units/ kit or pkg	Description
------------------------	----------------	------------	-------------------------	-------------

- **Assembly-index:** Identifies the assembly and the item in the diagram. For example 3-1 indicates Assembly 3 and the item number 1 in the table.
- **Part number:** Identifies the unique number that identifies this FRU.
- **Units/mach:** Refers to the number of units actually used in the base machine or product.
- **Units/kit or pkg:** Refers to the number of units packaged together and identified by the part number.
- **NS:** (Not shown) in the assembly-Index column indicates that the part is procurable but is not pictured in the illustration.
- **PP:** (Parts Packet) in the parts description column indicates the part is contained in a parts packet.

### Assembly 1: Covers and operator panel (1 of 2)



## Assembly 1: Covers and operator panel (1 of 2)

Assembly - Index	Part number	Units/mach	Units/kit or pkg	Description
1-1	40X2395	1	1	USB function removal cover
1	40X0972	1	25	USB function removal cover
2	40X0557	1	1	USB connector cover
3	40X0556	1	1	USB connector
4	40X0554	1	1	Operator panel assembly
5	40X0555	1	1	Operator panel cable assembly
6	40X0553	1	1	Switch (printer front door interlock)
7	40X0558	1	1	Top cover assembly
8	40X0559	1	1	Printer front door assembly
9	40X0560	1	1	Front door magnetic catch
10	40X0561	1	1	Front door support strap
11	40X0562	1	1	Front inner cover
12	40X0960	1	2	2TM/TTM retaining screws
13	40X0551	1	1	Front left cover
14	40X0550	1	1	Left lower cover
15	40X0552	1	1	Top rear cover

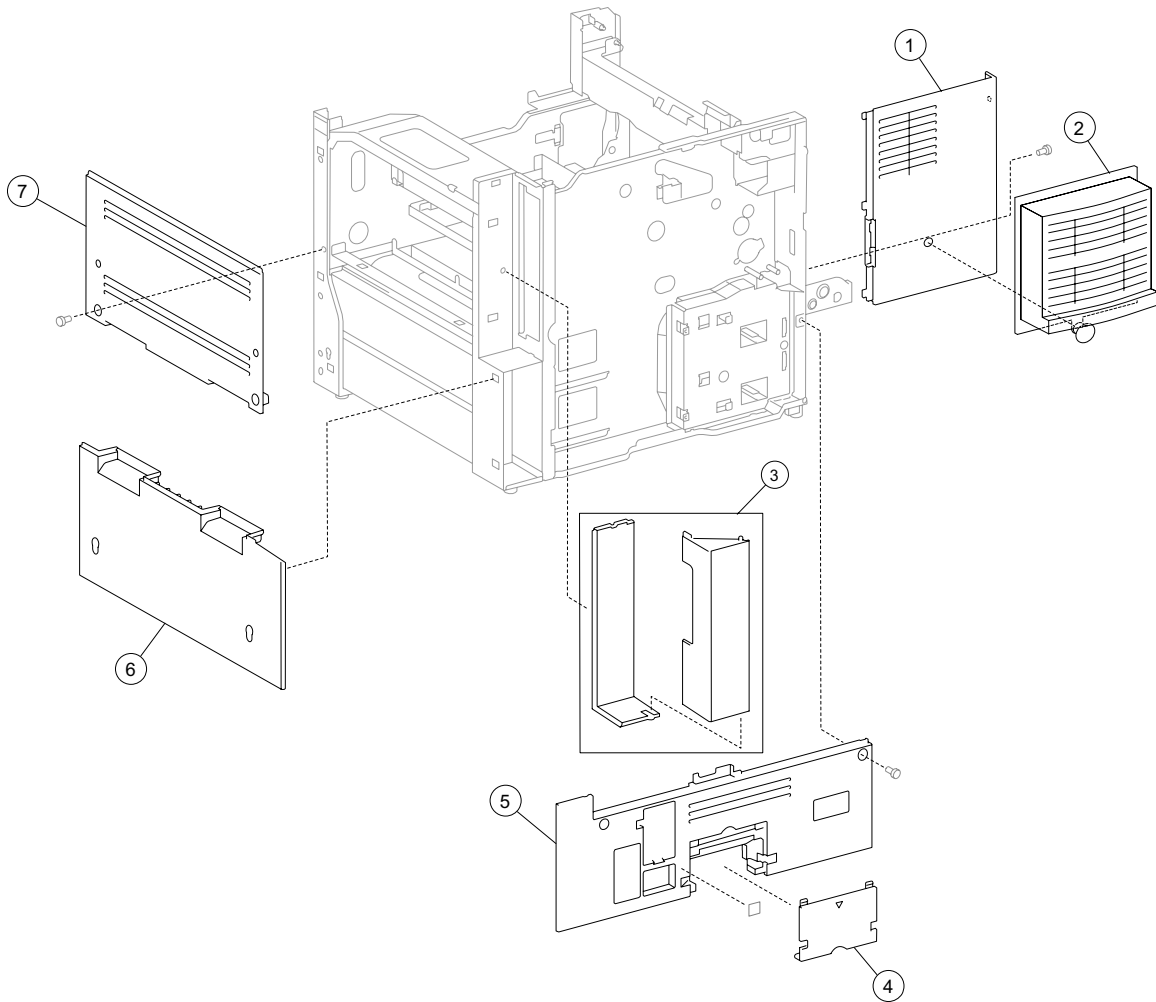
**Warning:** In the event of replacement of any one of the following components:

- Operator panel assembly
- RIP card assembly
- Interconnect card assembly

Only replace one component at a time. Replace the required component and perform a POR before replacing a second component listed above. If this procedure is not followed, the printer will be rendered inoperable. Never replace two or more of the components listed above without a POR after installing each one or the printer will be rendered inoperable.

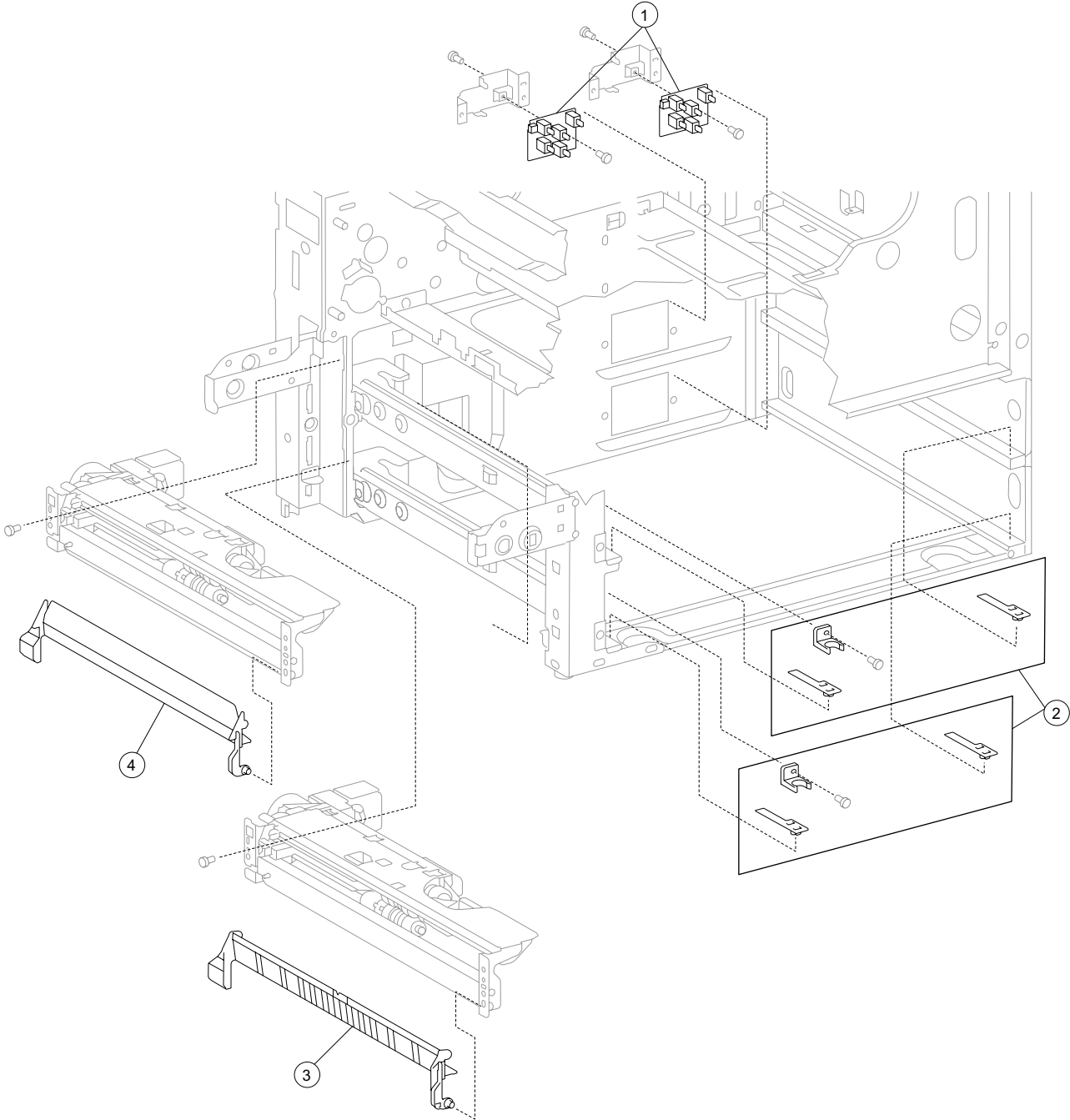
**Warning:** Never install and remove components listed above as a method of troubleshooting components. Once a component has been installed in a machine, it can not be used in another machine. It must be returned to the manufacturer.

## Assembly 2: Covers



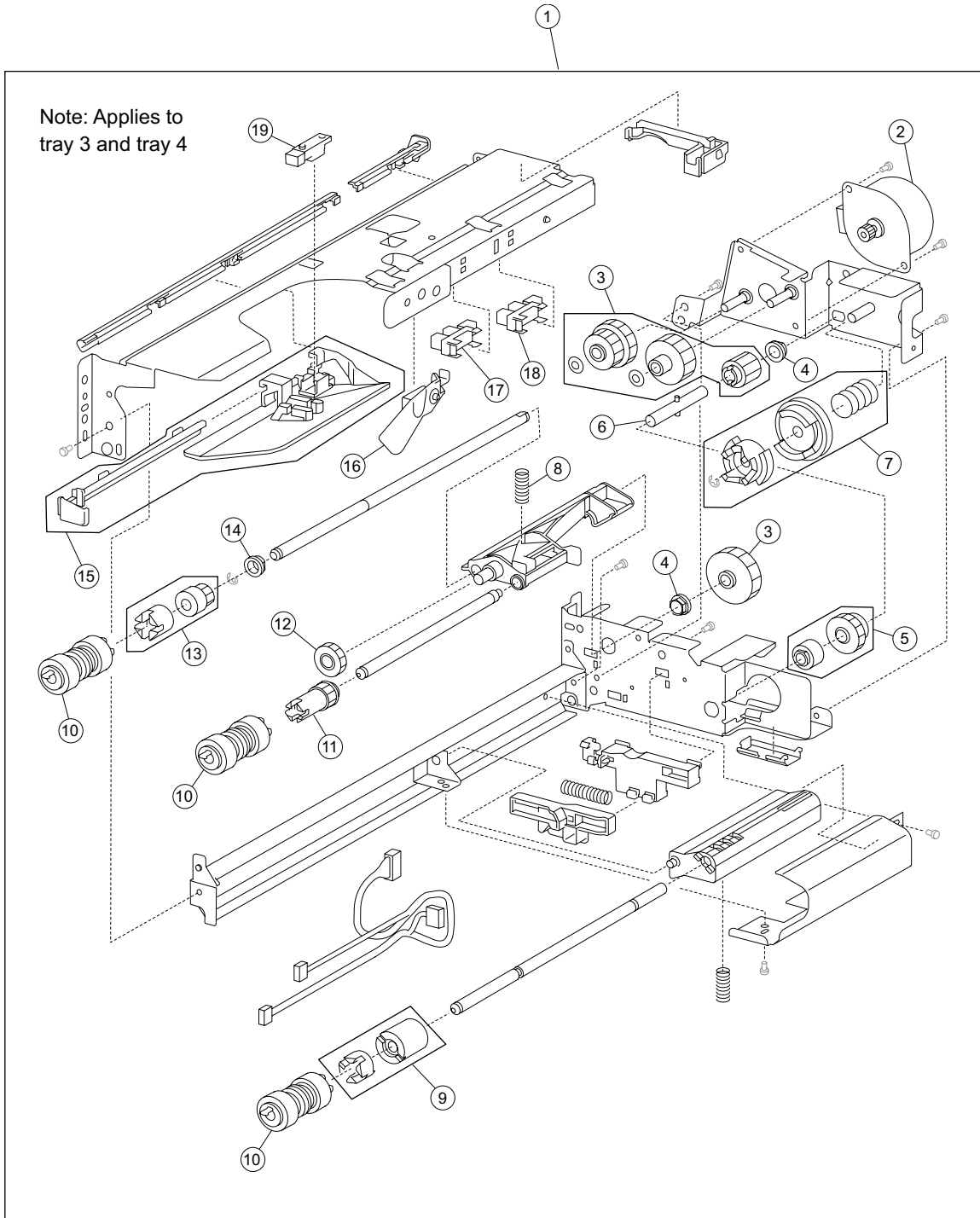
Assembly - Index	Part number	Units/mach	Units/kit or pkg	Description
2-1	40X0566	1	1	Rear motor cover
2	40X2382	1	1	TVOC filter assembly
3	40X0565	1	2	Cable hookup door kit includes: <ul style="list-style-type: none"> <li>• Cable hookup cover</li> <li>• Cable hookup door</li> </ul>
4	40X0568	1	1	Option hookup cover
5	40X0567	1	1	Rear lower cover (110V)
5	40X0955	1	1	Rear lower cover (220V)
6	40X0564	1	1	Right lower cover
7	40X0563	1	1	Right upper cover

### Assembly 3: Media feed unit



Assembly - Index	Part number	Units/mach	Units/kit or pkg	Description
3-1	40X0570	2	1	Switch (media size)
2	40X0569	2	3	Media tray catch kit includes: <ul style="list-style-type: none"><li>• Media tray catch</li><li>• Media tray slide (2 each)</li></ul>
3	40X0572	1	1	Vertical turn guide
4	40X0571	1	1	Vertical turn mylar guide

### Assembly 4: Media feed unit exploded (tray 1 and tray 2)

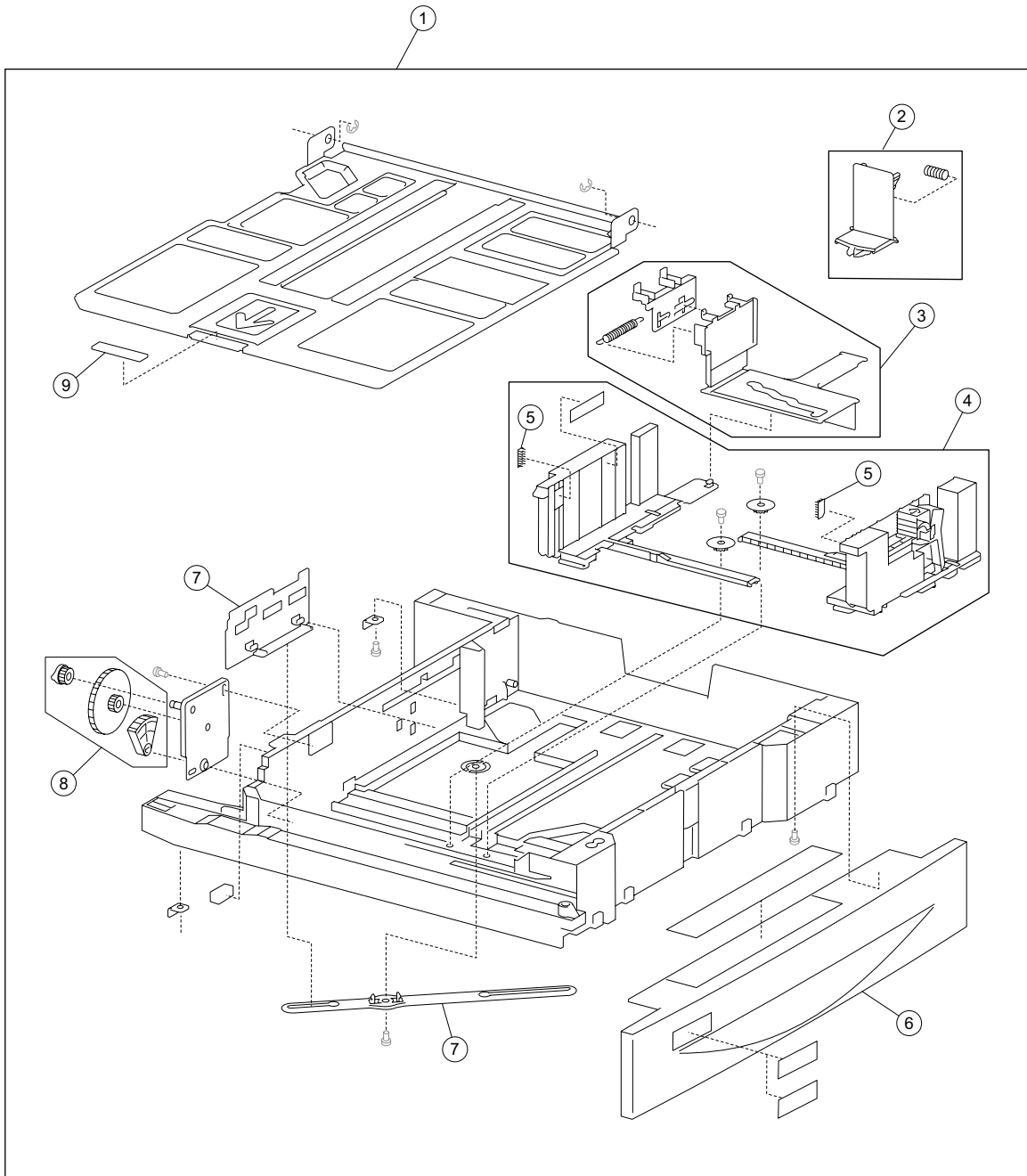


### Assembly 4: Media feed unit exploded (tray 1 and tray 2)

Assembly - Index	Part number	Units/mach	Units/kit or pkg	Description
4-1	40X0581	2	1	Media feed unit assembly
2	40X0582	2	1	Media feed lift motor
3	40X0585	2	6	Media feed drive gear kit includes: <ul style="list-style-type: none"> <li>• Media feed unit drive gear 13T</li> <li>• Media feed unit drive gear 28/21T</li> <li>• Media feed unit drive gear 29T</li> <li>• Media feed unit drive gear 27T</li> <li>• 2 mm washer (2 each)</li> </ul> <b>Note:</b> The graphic on the previous page, shows two #3 callouts. These callouts are the items that make up the media feed drive gear kit.
4	40X0880	2	1	Bushing 6 mm
5	40X0967	2	2	Media tray lift one-way clutch/gear kit includes: <ul style="list-style-type: none"> <li>• Media tray lift one-way clutch</li> <li>• Media tray lift one-way gear</li> </ul>
6	40X0968	2	1	Media tray lift one-way shaft
7	40X0583	2	3	Tray lift coupling kit includes: <ul style="list-style-type: none"> <li>• Tray lift coupling</li> <li>• Tray lift coupling gear 31T</li> <li>• Spring</li> </ul>
8	40X0590	2	1	Pick roll assembly spring
9	40X0593	2	2	Separation roll friction clutch kit includes: <ul style="list-style-type: none"> <li>• Separation roll one-way friction clutch</li> <li>• Separation roll spacer</li> </ul>
10	40X0594	1	6	Feed unit roll kit includes: <ul style="list-style-type: none"> <li>• Feed roll (2)</li> <li>• Pick roll (2)</li> <li>• Separation roll (2)</li> </ul>
11	40X0970	2	1	Pick roll drive gear
12	40X0969	2	1	Pick roll idler gear
13	40X0591	2	2	Feed roll one-way clutch kit includes: <ul style="list-style-type: none"> <li>• Feed roll one-way clutch</li> <li>• Feed roll one-way gear 22T</li> </ul>
14	40X0952	2	1	Bushing 6 mm
15	40X0586	2	2	Media feed unit front guide kit includes: <ul style="list-style-type: none"> <li>• Media feed unit front guide</li> <li>• Media feed unit front guide rail</li> </ul>
16	40X0587	2	1	Media out actuator
17	40X0588	2	1	Sensor (media out)
18	40X0588	2	1	Sensor (media level)
19	40X0589	2	1	Sensor (pre-feed)

**Note:** Assembly index items 17 and 18 are identical sensors with different functions; therefore, are the same part number with different descriptions.

### Assembly 5: Media tray

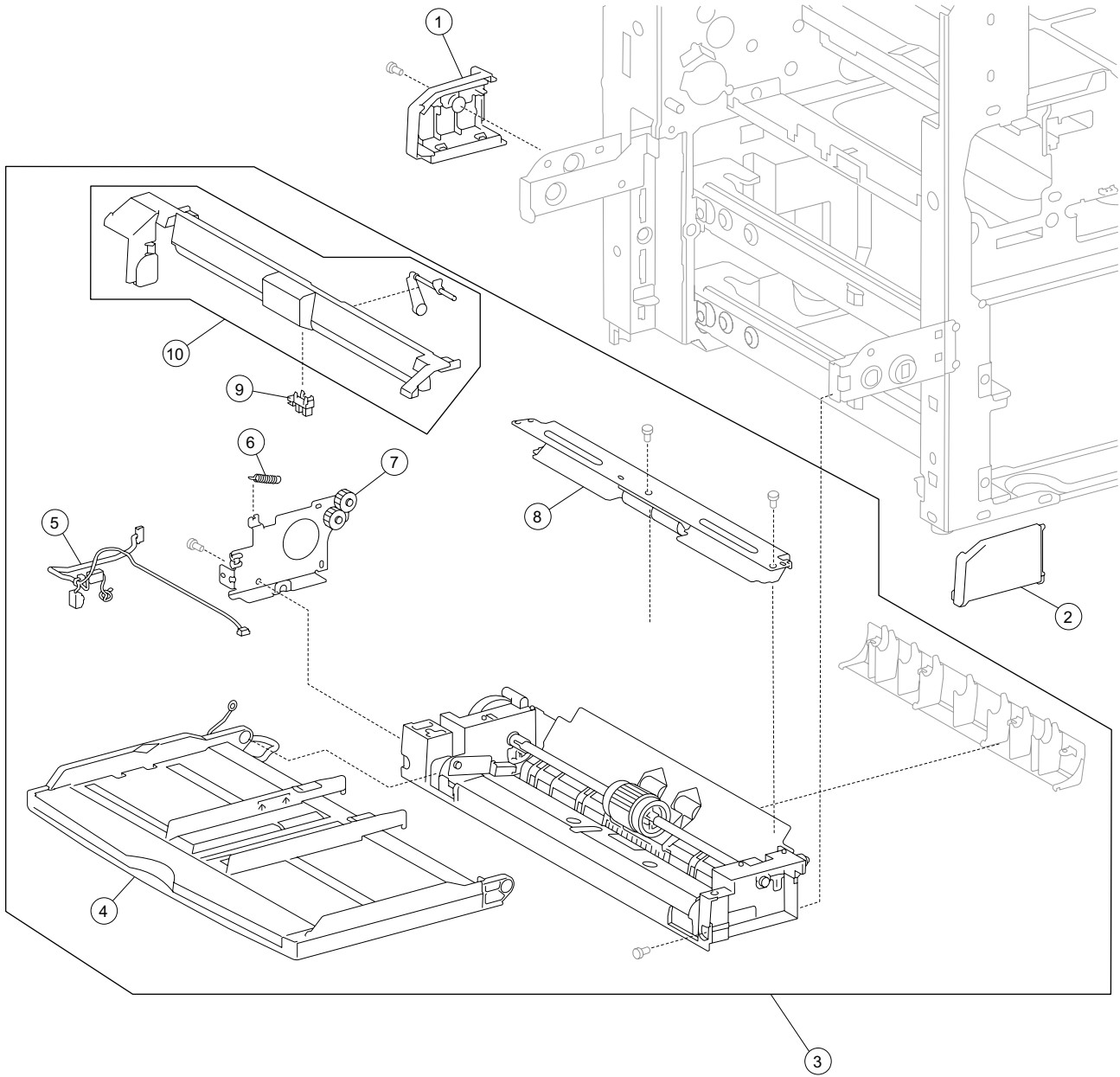




## Assembly 5: Media tray

Assembly - Index	Part number	Units/mach	Units/kit or pkg	Description
5-1	40X0573	2	3	Media tray assembly includes: (this comes assembled) <ul style="list-style-type: none"> <li>• Media tray assembly</li> <li>• Labels (2 each)</li> </ul>
2	40X0578	2	2	Media tray end guide kit includes: <ul style="list-style-type: none"> <li>• Media tray end guide</li> <li>• Spring</li> </ul>
3	40X0577	2	3	Media tray side guide actuator kit includes: <ul style="list-style-type: none"> <li>• Media tray side guide actuator</li> <li>• Media tray side guide slide</li> <li>• Spring</li> </ul>
4	40X0576	2	5	Media tray side guide kit includes: <ul style="list-style-type: none"> <li>• Media max label</li> <li>• Front media tray guide assembly</li> <li>• Rear media tray guide</li> <li>• Pinion gear (2 each)</li> </ul>
5	40X0966	4	1	Media tray separation brush
6	40X0574	2	1	Media tray front cover includes: <ul style="list-style-type: none"> <li>• Media tray front cover</li> <li>• Labels (2 each)</li> </ul>
7	40X0579	2	2	Media tray end guide actuator kit includes: <ul style="list-style-type: none"> <li>• Media end guide actuator</li> <li>• Actuator link</li> </ul> <p><b>Note:</b> The graphic on the previous page, shows two #7 callouts. These callouts are the two items that make up the media tray end guide actuator kit.</p>
8	40X0580	2	3	Media tray lift gear kit includes: <ul style="list-style-type: none"> <li>• Tray lift coupling gear 13T</li> <li>• Tray lift gear 13/60T</li> <li>• Tray lift sector gear 12T</li> </ul>
9	40X0965	2	1	Media tray separation pad

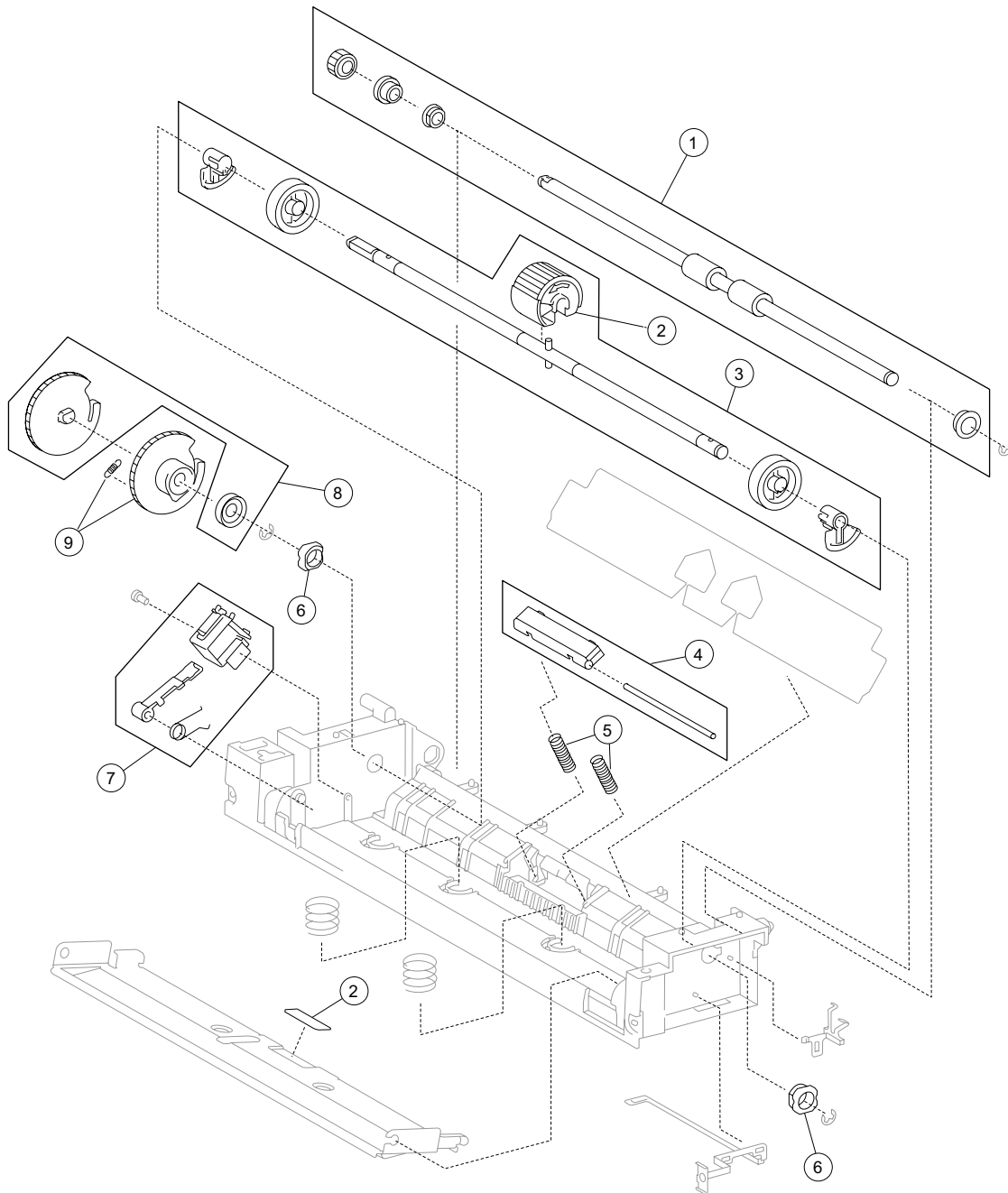
### Assembly 6: MPF unit



**Assembly 6: MPF unit**

<b>Assembly-Index</b>	<b>Part number</b>	<b>Units/mach</b>	<b>Units/kit or pkg</b>	<b>Description</b>
6-1	40X0600	1	1	MPF rear cover
2	40X0599	1	1	MPF front cover
3	40X0595	1	1	MPF feed unit assembly
4	40X0608	1	1	MPF fold down tray assembly
5	40X0597	1	1	MPF unit cable assembly
6	40X0755	1	1	MPF pickup spring
7	40X0598	1	1	MPF idler gear bracket assembly
8	40X0601	1	1	MPF transport pinch roll assembly
9	40X0588	1	1	Sensor (MPF media out)
10	40X0596	1	2	MPF media out actuator kit includes: <ul style="list-style-type: none"> <li>• MPF media out actuator</li> <li>• Upper frame</li> </ul>

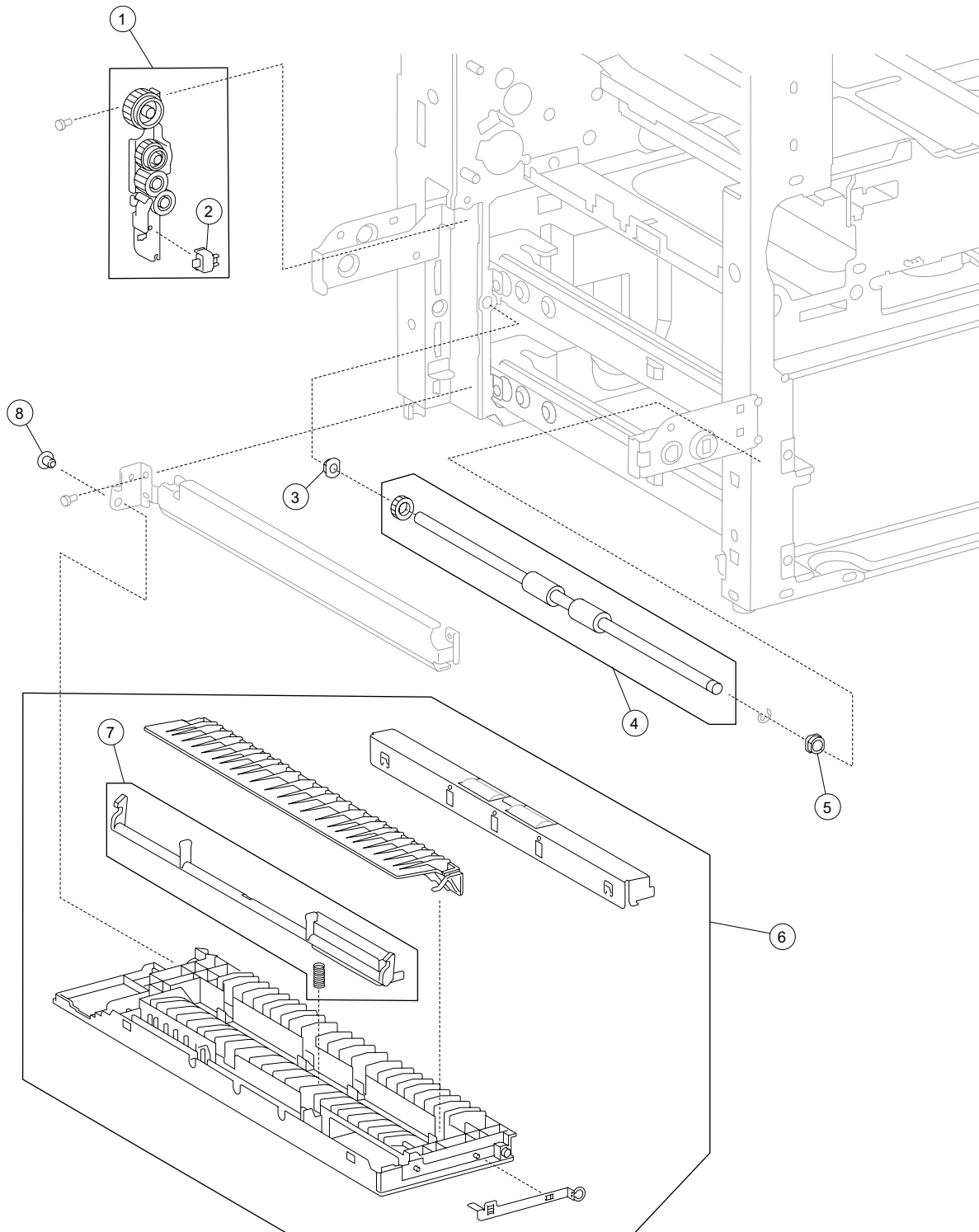
### Assembly 7: MPF unit feed



## Assembly 7: MPF unit feed

Assembly-Index	Part number	Units/mach	Units/kit or pkg	Description
7-1	40X0605	1	5	MPF transport roll kit includes: <ul style="list-style-type: none"> <li>• MPF transport shaft collar</li> <li>• MPF transport gear 18T</li> <li>• MPF transport roll assembly</li> <li>• Bushing 8 mm (2 each)</li> </ul>
2	40X0603	1	2	MPF pick roll kit includes: <ul style="list-style-type: none"> <li>• MPF pressure pad</li> <li>• MPF pick roll assembly</li> </ul>
3	40X1382	1	6	MPF feed shaft kit includes: <ul style="list-style-type: none"> <li>• MPF feed shaft</li> <li>• MPF feed shaft cam rear</li> <li>• MPF feed shaft cam front</li> <li>• MPF feed shaft roll core (2 each)</li> <li>• MPF feed roll assembly</li> </ul>
4	40X0974	1	2	MPF pressure pad kit includes: <ul style="list-style-type: none"> <li>• Shaft</li> <li>• MPF pressure pad</li> </ul>
5	40X1380	2	1	MPF pressure pad spring
6	40X1381	2	1	MPF feed shaft bushing
7	40X0606	1	3	MFP pick solenoid kit includes: <ul style="list-style-type: none"> <li>• Pick lever</li> <li>• Pick solenoid</li> <li>• Spring</li> </ul>
8	40X0971	1	2	MPF feed drive gear kit includes: <ul style="list-style-type: none"> <li>• MPF feed gear</li> <li>• MPF feed gear stopper</li> </ul>
9	40X0973	1	2	MPF feed cam gear kit includes: <ul style="list-style-type: none"> <li>• MPF feed cam gear</li> <li>• Spring</li> </ul>

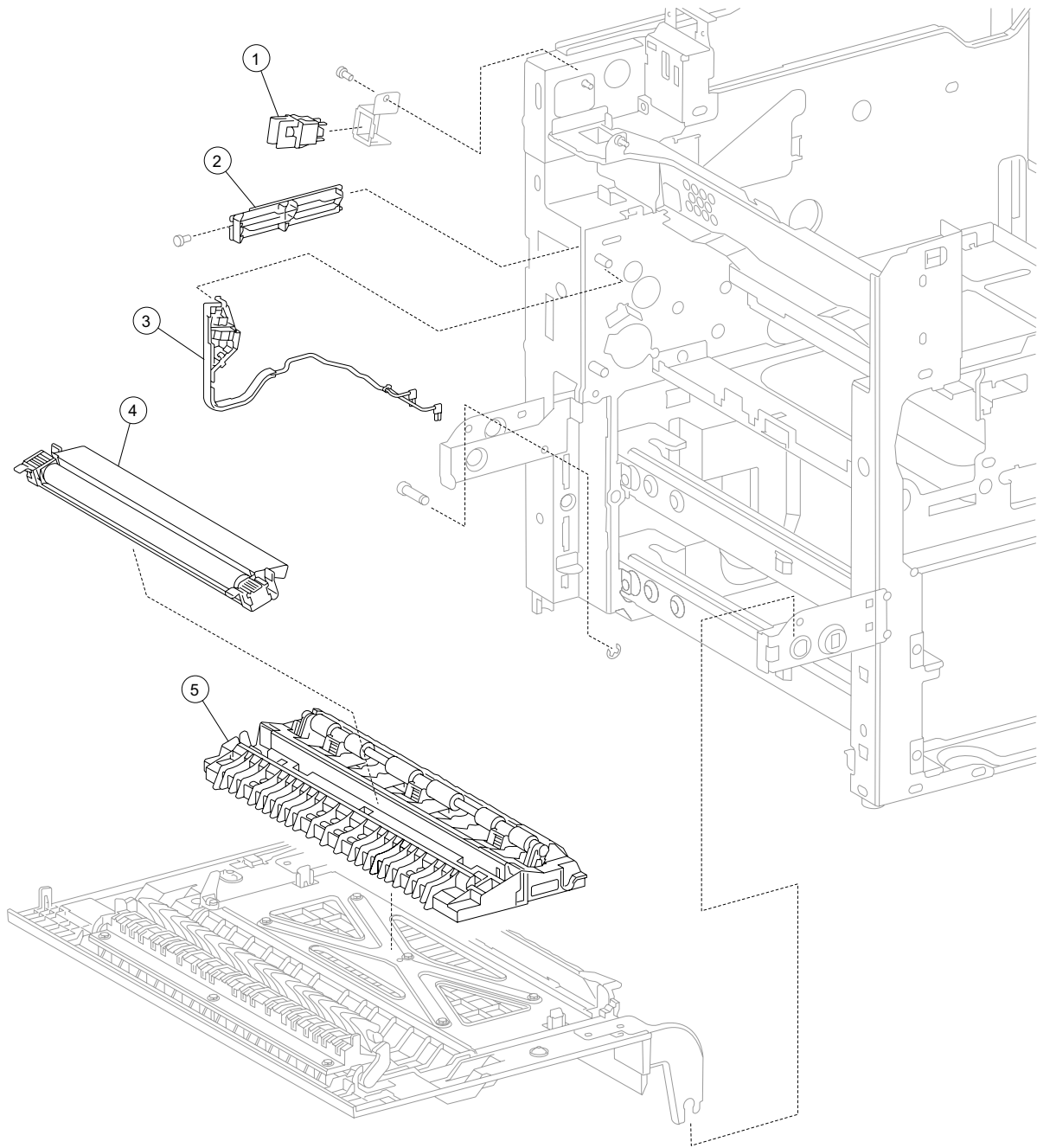
### Assembly 8: Left lower door and transport



## Assembly 8: Left lower door and transport

Assembly-Index	Part number	Units/mach	Units/kit or pkg	Description
8-1	40X0609	1	1	Vertical drive gear assembly
2	40X0610	1	1	Switch (left lower door interlock)
3	40X1386	1	1	Bushing 6 mm (transport roll rear)
4	40X1387	1	2	Transport roll kit includes: <ul style="list-style-type: none"> <li>• Transport roll assembly</li> <li>• Transport roll gear 18T</li> </ul>
5	40X0878	1	1	Bushing 8 mm
6	40X0612	1	1	Printer left lower door assembly (this comes assembled)
7	40X0614	1	2	Left lower door handle kit includes: <ul style="list-style-type: none"> <li>• Left lower door handle</li> <li>• Spring</li> </ul>
8	40X0613	1	1	Hinge pin

## Assembly 9: Left door and transfer roll

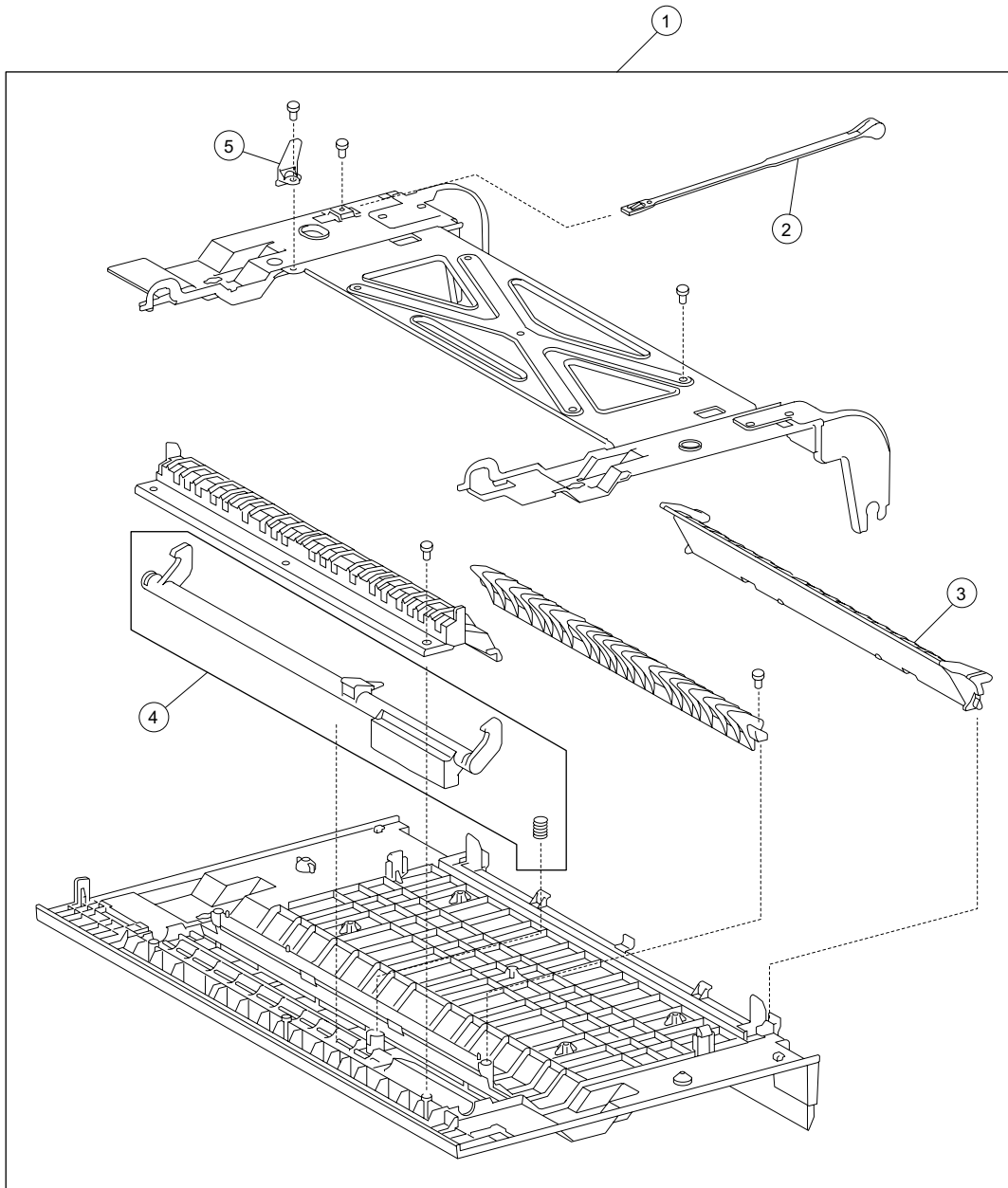




**Assembly 9: Left door and transfer roll**

<b>Assembly-Index</b>	<b>Part number</b>	<b>Units/mach</b>	<b>Units/kit or pkg</b>	<b>Description</b>
9-1	40X0553	1	1	Switch (printer left door interlock)
2	40X0618	1	1	PC cartridge shutter link
3	40X0617	1	1	Transfer roll power contact
4	40X0616	1	1	Transfer roll assembly
5	40X0619	1	1	Transfer roll guide assembly

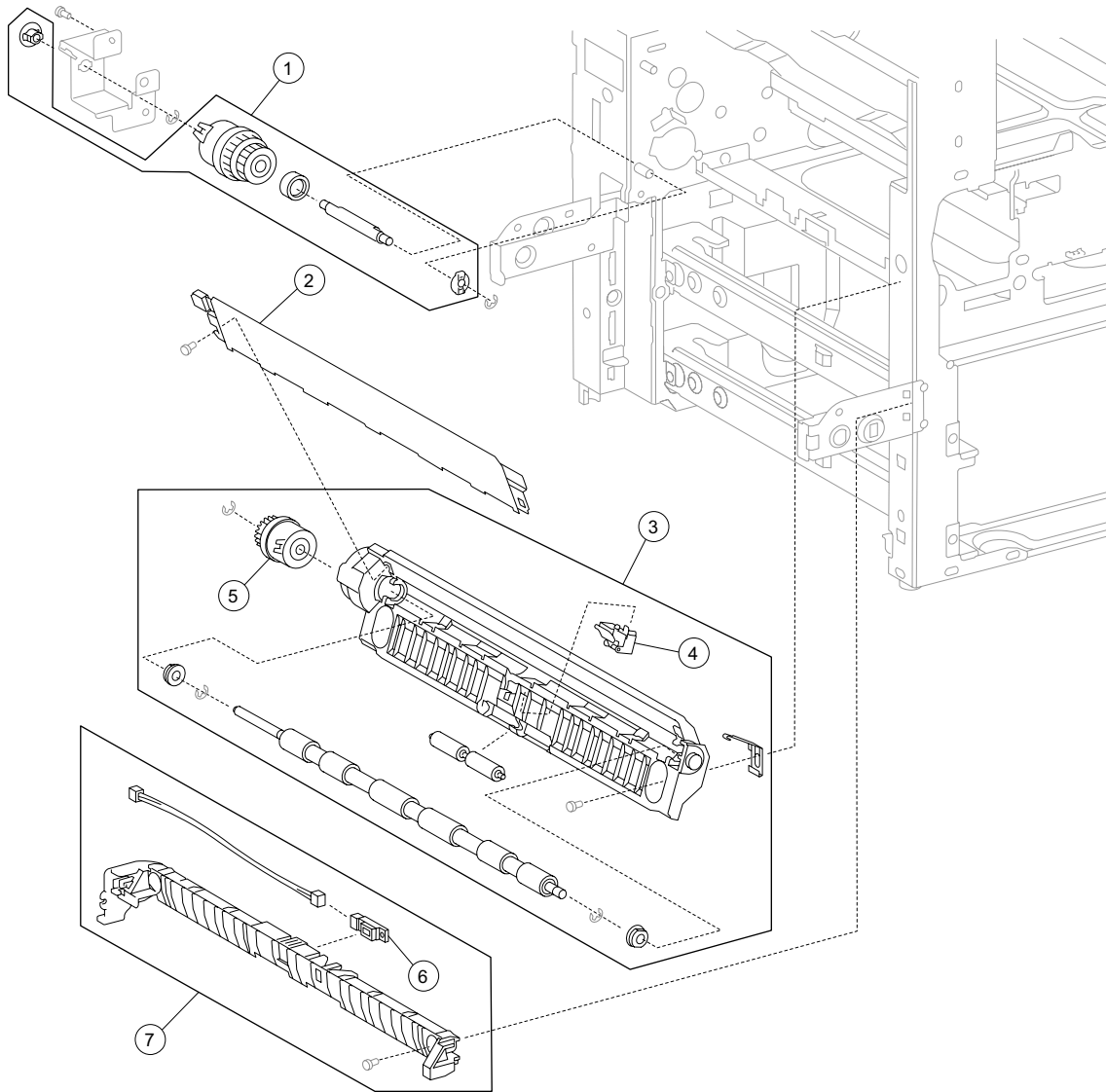
# Assembly 10: Printer left door



## Assembly 10: Printer left door

Assembly-Index	Part number	Units/mach	Units/kit or pkg	Description
10-1	40X0620	1	1	Printer left door assembly (this comes assembled)
2	40X0624	1	1	Printer left door support strap
3	40X0623	1	1	Left door duplex entrance guide
4	40X0621	1	2	Printer left door assembly handle kit includes: <ul style="list-style-type: none"> <li>• Printer left door assembly handle</li> <li>• Spring</li> </ul>
5	40X0622	1	1	PC cartridge shutter actuator

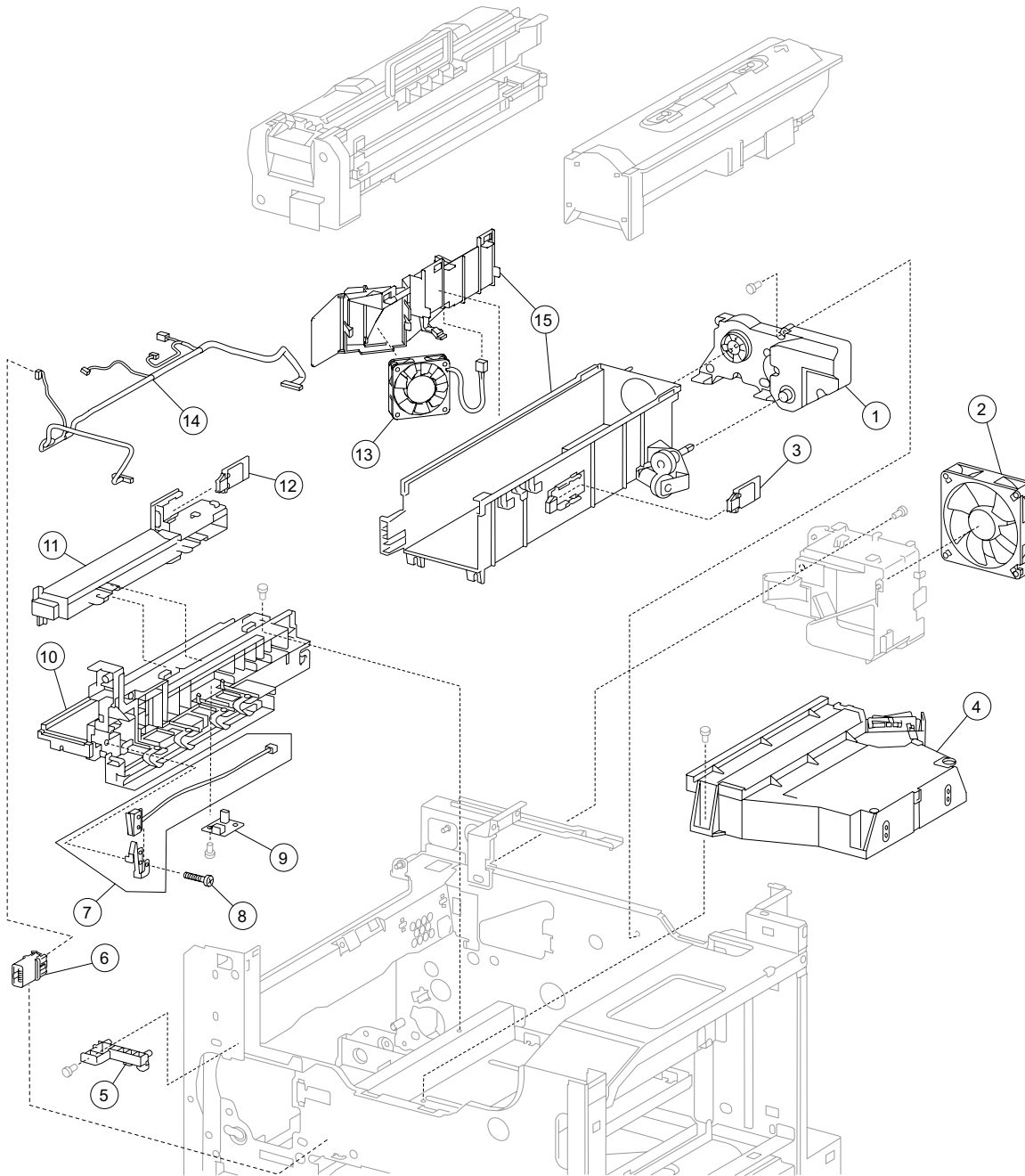
## Assembly 11: Registration



## Assembly 11: Registration

Assembly-Index	Part number	Units/mach	Units/kit or pkg	Description
11-1	40X0629	1	5	Transport clutch assembly includes: <ul style="list-style-type: none"> <li>• Bushing 4.5 mm front</li> <li>• Bushing 4.5 mm rear</li> <li>• Shaft</li> <li>• Transport clutch gear 19T</li> <li>• Transport clutch</li> </ul>
2	40X0628	1	1	Registration mylar guide assembly
3	40X0625	1	1	Registration roll assembly (this comes assembled)
4	40X0627	1	1	Sensor (registration)
5	40X0626	1	1	Registration clutch
6	40X0589	1	1	Sensor (tray 2 feed-out)
7	40X0630	1	1	Tray 2 feed-out sensor guide (this comes assembled)

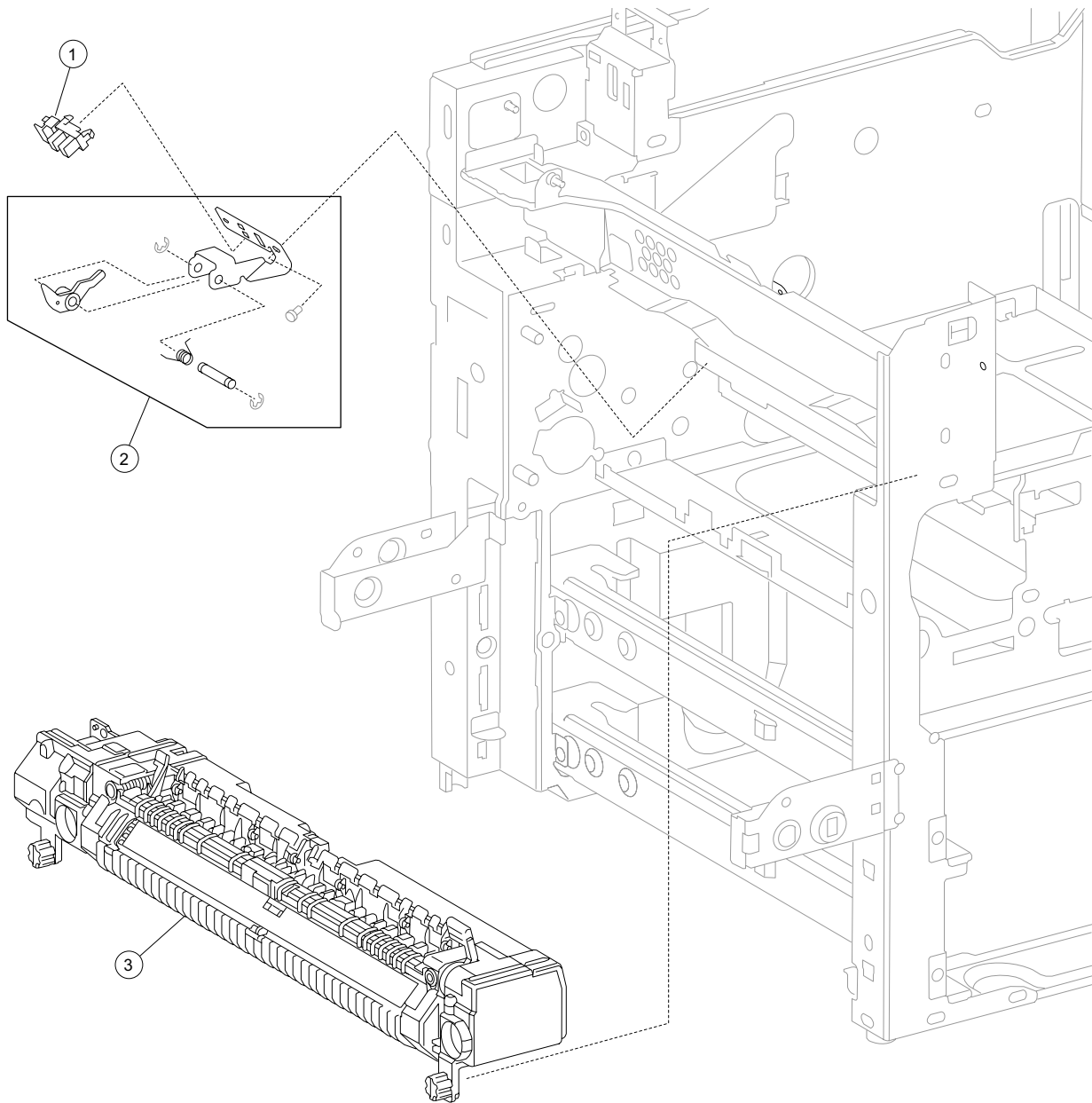
## Assembly 12: Printhead, cartridge guides, and fans



## Assembly 12: Printhead, cartridge guide and fans

Assembly-Index	Part number	Units/mach	Units/kit or pkg	Description
12-1	40X0639	1	1	Toner add motor assembly
2	40X0640	1	1	Fuser cooling fan
3	40X0636	1	1	Sensor (RFID toner cartridge)
4	40X0641	1	1	Printhead assembly
5	40X0631	1	1	PC cartridge stop
6	40X0644	1	1	PC cartridge sensor connector
7	40X1390	1	2	Switch (PC cartridge interlock) kit includes: <ul style="list-style-type: none"> <li>• Backup spring</li> <li>• Switch (PC cartridge interlock)</li> </ul>
8	40X1389	1	1	PC cartridge interlock switch screw
9	40X0633	1	1	Sensor (hum & temp)
10	40X0634	1	1	PC cartridge guide assembly
11	40X0635	1	1	Laser opening guide
12	40X0636	1	1	Sensor (RFID PC cartridge)
13	40X0643	1	1	PC cartridge cooling fan
14	40X0637	1	1	Multi connector cable assembly 1
15	40X0638	1	2	Toner cartridge guide kit includes: <ul style="list-style-type: none"> <li>• Toner cartridge guide assembly</li> <li>• PC cartridge cooling fan duct</li> </ul>

### Assembly 13: Fuser

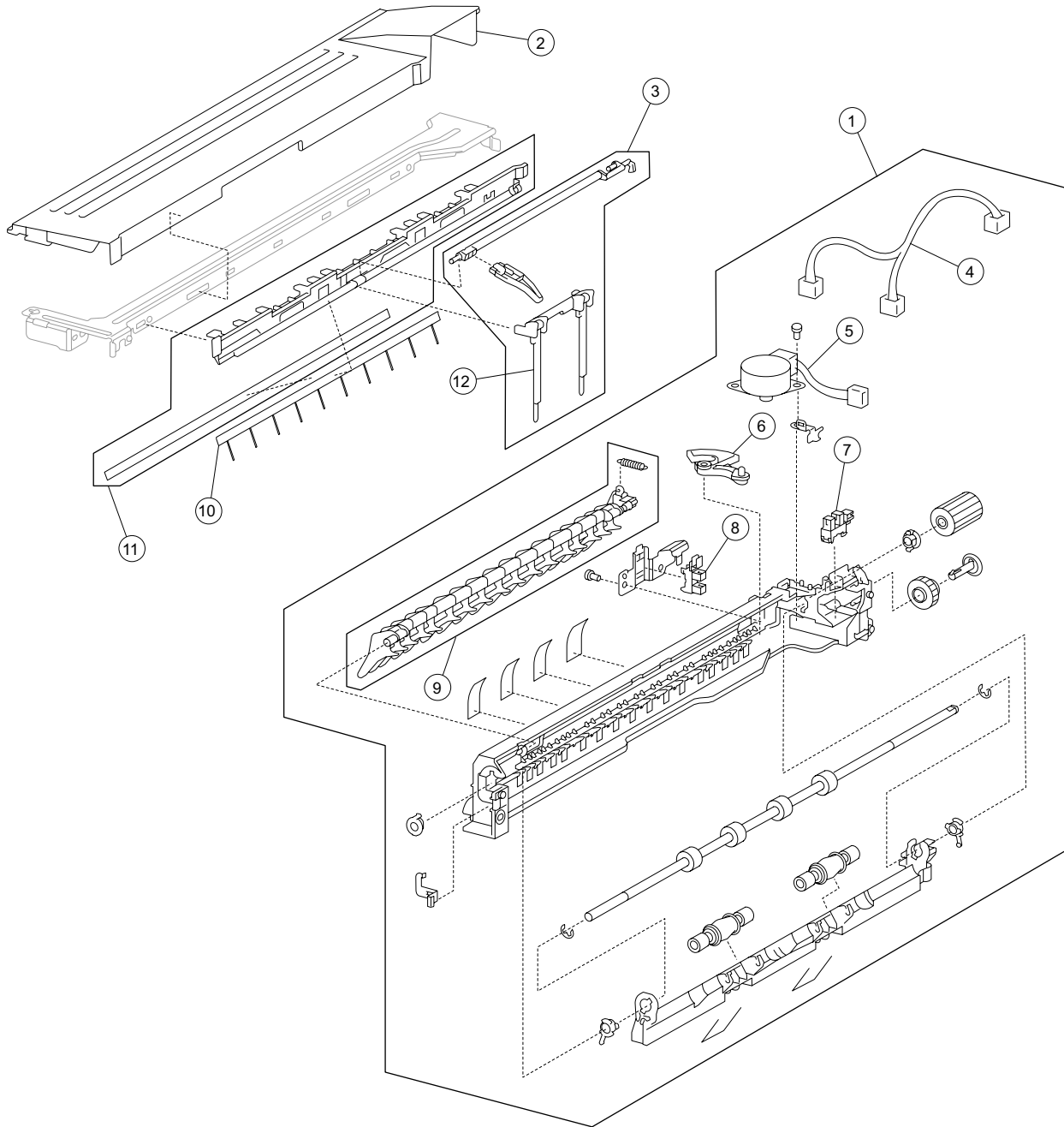




## Assembly 13: Fuser

Assembly-Index	Part number	Units/mach	Units/kit or pkg	Description
13-1	40X0588	1	1	Sensor (fuser exit)
2	40X0645	1	4	Fuser exit actuator kit includes: <ul style="list-style-type: none"> <li>• Shaft</li> <li>• Fuser exit actuator</li> <li>• Spring</li> <li>• Bracket</li> </ul>
3	40X0647	1	1	Fuser assembly 110V (this comes assembled)
3	40X0648	1	1	Fuser assembly 220V (this comes assembled)
3	40X0646	1	1	Fuser assembly 100V (this comes assembled)

### Assembly 14: Standard Exit 1

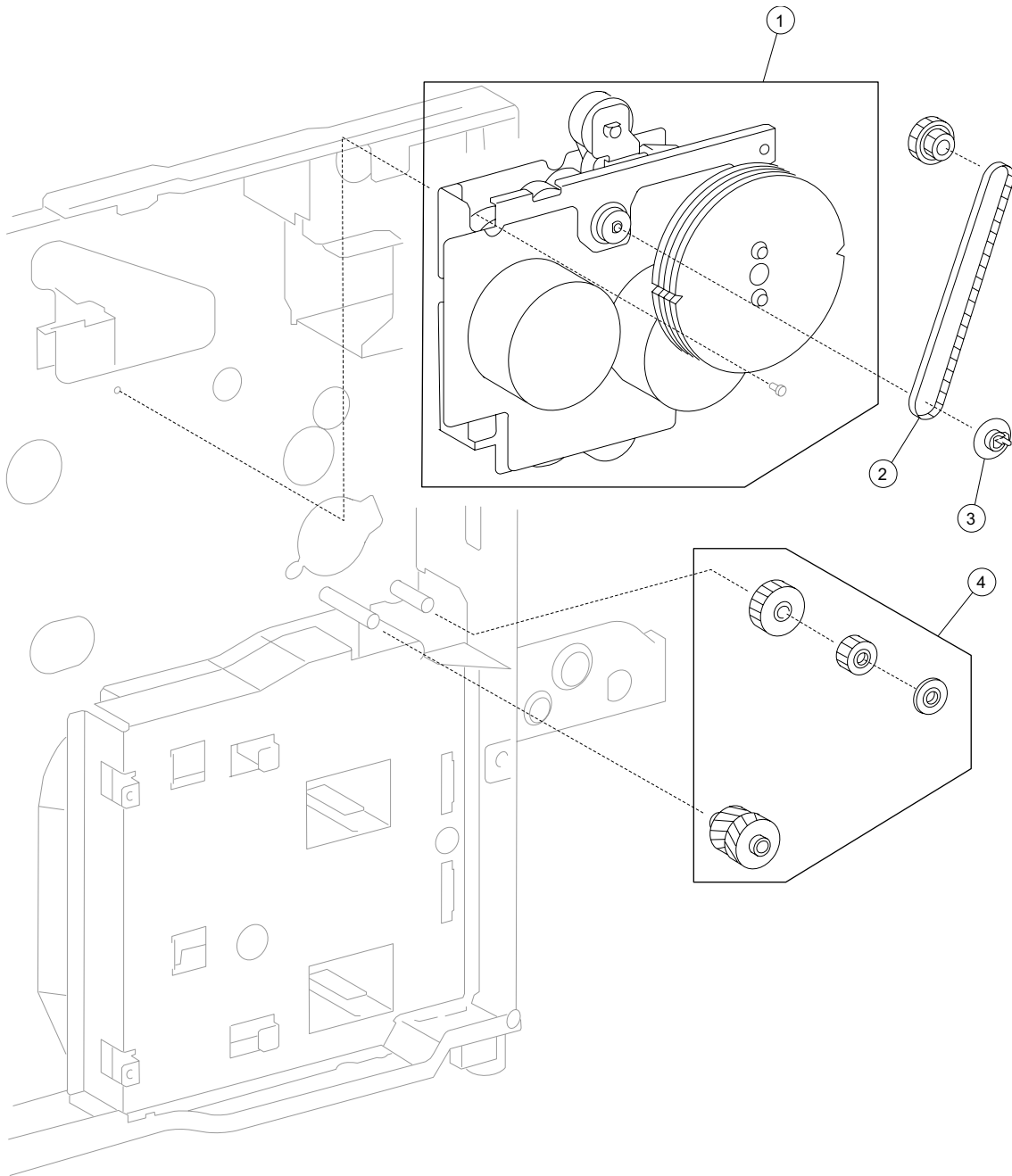


## Assembly 14: Standard Exit 1

Assembly-Index	Part number	Units/mach	Units/kit or pkg	Description
14-1	40X0649	1	1	Exit 1 media shift assembly (this comes assembled)
2	40X0655	1	1	Standard exit 1 top cover
3	40X0657	1	3	Standard bin full exit 1 actuator kit includes: <ul style="list-style-type: none"> <li>• Standard bin full exit 1 actuator shaft</li> <li>• Standard bin full exit 1 actuator</li> <li>• Output guide</li> </ul>
4	40X0650	1	1	Exit 1 sensor cable assembly
5	40X0651	1	1	Media shift motor
6	40X0653	1	1	Exit 1 media shift gear
7	40X0588	1	1	Sensor (standard bin full exit 1)
8	40X0588	1	1	Sensor (exit 1 media shift HP)
9	40X0654	1	2	Media diverter gate kit includes: <ul style="list-style-type: none"> <li>• Media diverter gate</li> <li>• Spring</li> </ul>
10	40X1391	1	1	Exit 1 static eliminator
11	40X1392	1	2	Exit 1 media exit guide kit includes: <ul style="list-style-type: none"> <li>• Exit 1 media guide</li> <li>• Exit 1 media guide pad</li> </ul>
12	40X2389	1	1	Output guide

**Note:** Assembly index items 7 and 8 are identical sensors with different functions; therefore, are the same part number with different descriptions.

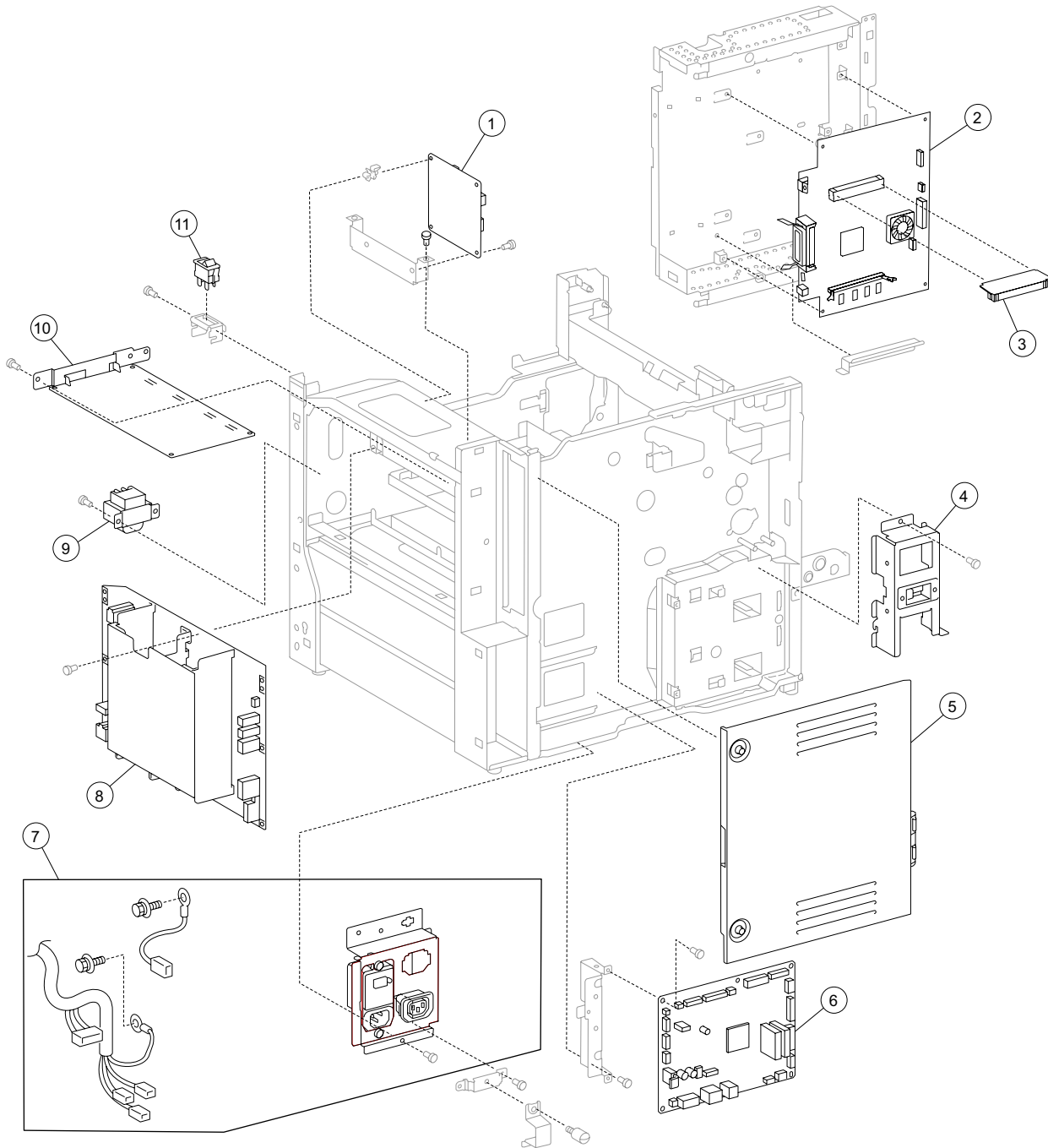
### Assembly 15: Dual unit drive motor



**Assembly 15: Dual unit drive motor**

Assem- bly- Index	Part number	Units/ mach	Units/kit or pkg	Description
15-1	40X0660	1	1	Dual drive motor assembly
2	40X0659	1	1	Exit 1 drive belt
3	40X0661	1	1	Drive belt flange
4	40X0658	1	4	MPF & transport roll idler gear kit includes: <ul style="list-style-type: none"> <li>• Transport roll idler gear 28T</li> <li>• MPF idler gear 18T</li> <li>• Flange</li> <li>• Transport/MPF idler gear 21/21T</li> </ul>

# Assembly 16: Electrical



## Assembly 16: Electrical

Assembly-Index	Part number	Units/mach	Units/kit or pkg	Description
16-1	40X0664	1	1	Exit interface card assembly
2	40X0642	1	1	RIP card assembly
3	40X0964	1	1	Interconnect card assembly
4	40X0673	1	1	HCF hookup connector assembly
5	40X0672	1	1	Rear RIP card cover
6	40X0665	1	1	Printer engine card assembly
7	40X0670	1	7	AC power input socket kit includes: <ul style="list-style-type: none"> <li>• Screws 4 mm (2 each)</li> <li>• Bracket</li> <li>• AC power input socket</li> <li>• Ground wire</li> <li>• Main AC cable assembly</li> <li>• Finisher AC output</li> </ul>
8	40X0666	1	1	LVPS 100/110V
8	40X0667	1	1	LVPS 220V
9	40X0668	1	1	Choke coil 220V (220V model only)
10	40X0662	1	1	HVPS
11	40X0663	1	1	Switch (main power)

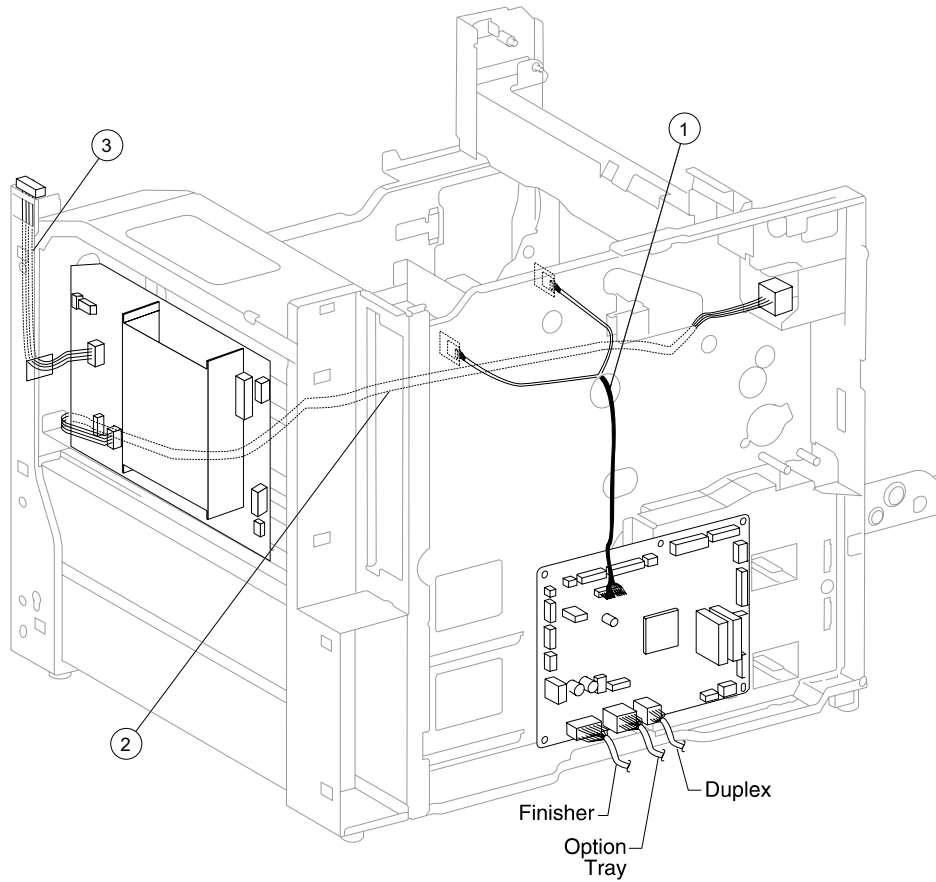
**Warning:** In the event of replacement of any one of the following components:

- Operator panel assembly
- RIP card assembly
- Interconnect card assembly

Only replace one component at a time. Replace the required component and perform a POR before replacing a second component listed above. If this procedure is not followed, the printer will be rendered inoperable. Never replace two or more of the components listed above without a POR after installing each one or the printer will be rendered inoperable.

**Warning:** Never install and remove components listed above as a method of troubleshooting components. Once a component has been installed in a machine, it can not be used in another machine. It must be returned to the manufacturer.

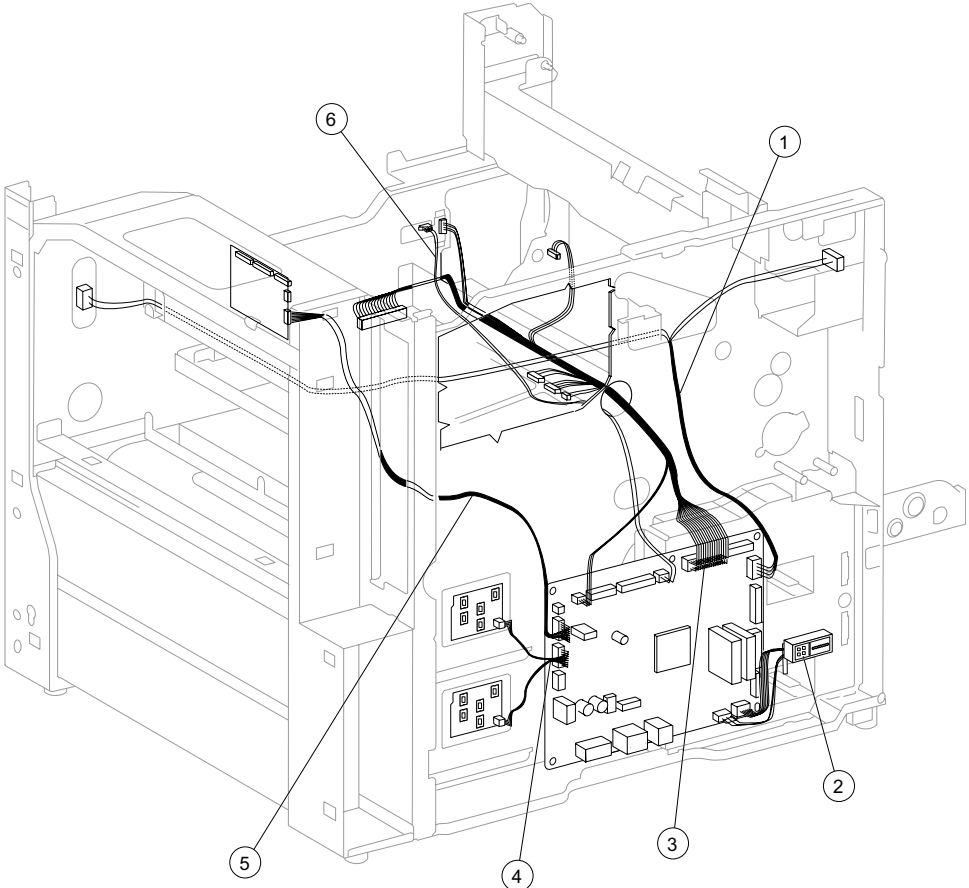
## Assembly 17: Electrical cables



assem bly- Index	Part number	Units/ mach	Units/kit or pkg	Description
17-1	40X0686	1	1	RFID sensor cable assembly
2	40X0681	1	1	Fuser AC cable assembly
3	40X0684	1	1	Main switch cable assembly

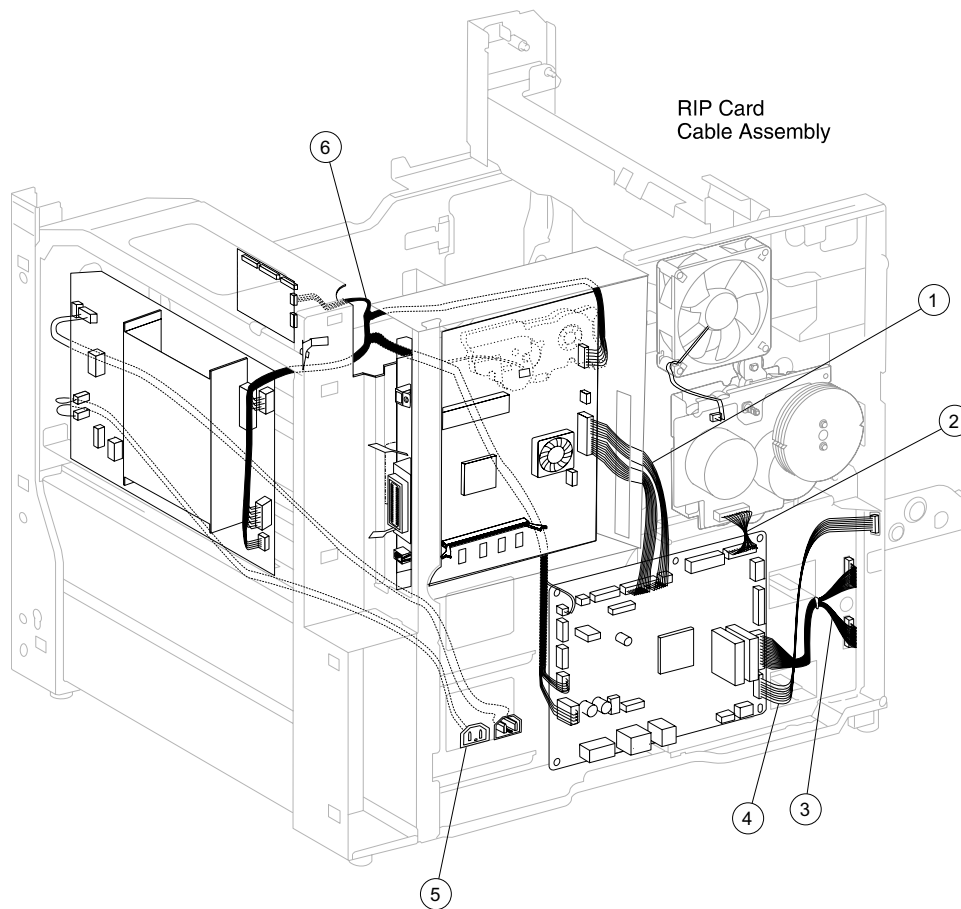


**Assembly 18: Electrical cables**



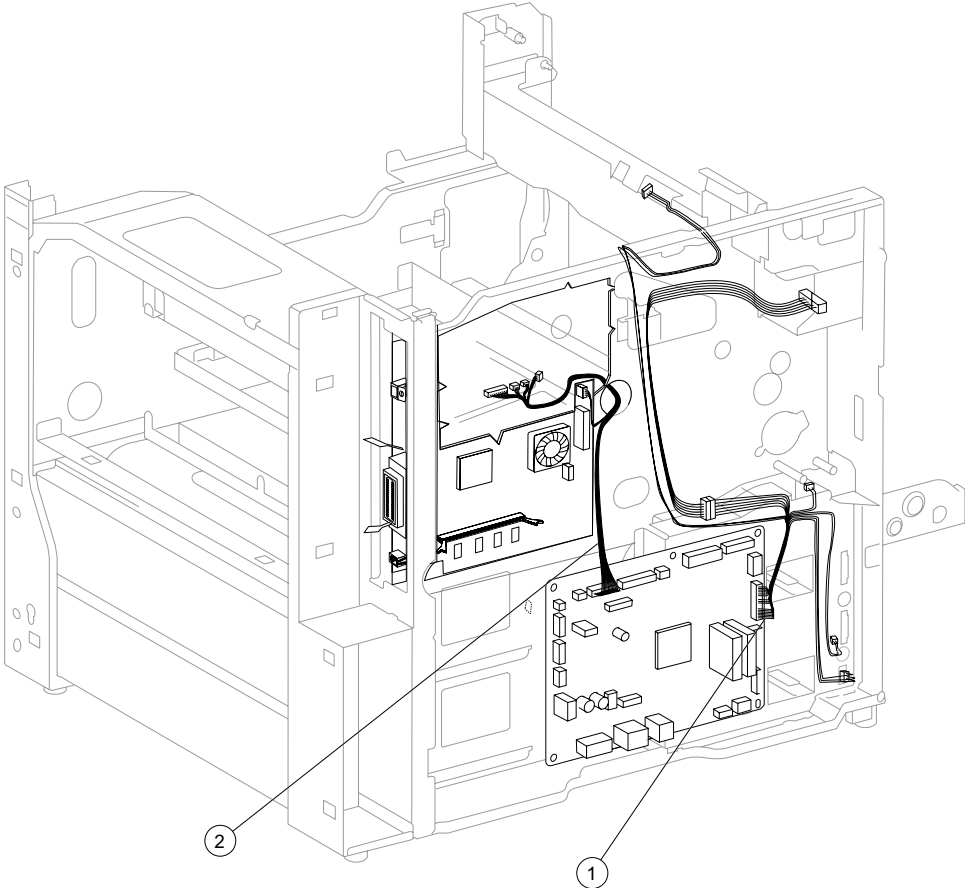
Assem bly- Index	Part number	Units/ mach	Units/kit or pkg	Description
18-1	40X0683	1	1	Interlock switch cable assembly
2	40X0673	1	1	HCF hookup connector assembly
3	40X0637	1	1	Multi connector cable assembly 1
4	40X0676	1	1	Media size switch cable assembly
5	40X0682	1	1	Multi connector cable assembly 3
6	40X1390	1	2	Switch (PC cartridge interlock) kit includes: <ul style="list-style-type: none"> <li>• Backup spring</li> <li>• Switch (PC cartridge interlock)</li> </ul>

## Assembly 19: Electrical cables

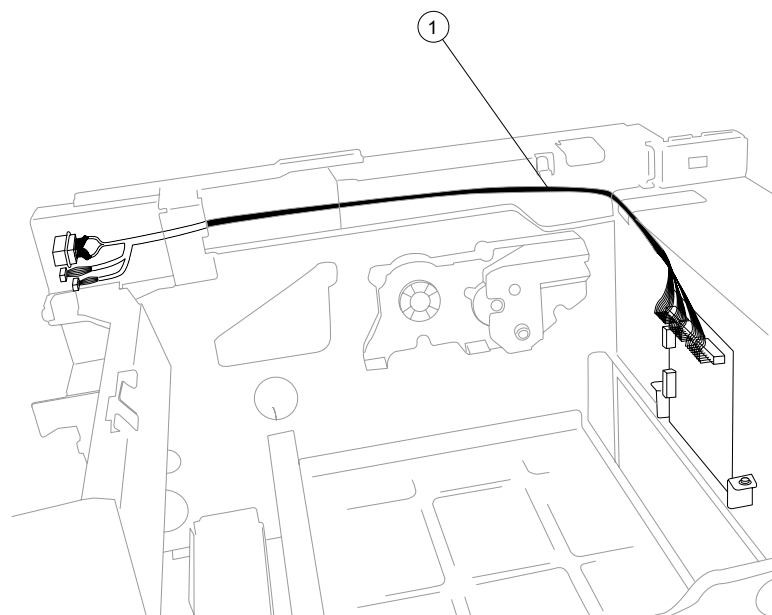


Assem- bly- Index	Part number	Units/ mach	Units/kit or pkg	Description
19-1	40X0677	1	1	RIP card cable assembly
2	40X0685	1	1	Dual drive motor cable assembly
3	40X0674	1	1	Media feed unit cable assembly
4	40X0675	1	1	MPF hookup cable assembly
5	40X0670	1	7	AC power input socket kit includes: <ul style="list-style-type: none"> <li>• Screws 4 mm (2 each)</li> <li>• Bracket</li> <li>• AC power input socket</li> <li>• Ground wire</li> <li>• Main AC cable assembly</li> <li>• Finisher AC output</li> </ul>
6	40X0682	1	1	Multi connector cable assembly 3

### Assembly 20: Electrical cables



Assem bly-Index	Part number	Units/ mach	Units/kit or pkg	Description
20-1	40X0680	1	1	Multi connector cable assembly 2
2	40X0678	1	1	Printhead cable assembly

**Assembly 21: Electrical cable**

Assembly-Index	Part number	Units/mach	Units/kit or pkg	Description
21-1	40X0679	1	1	Exit interface cable assembly

## Assembly 22: Power cords

Assem bly- Index	Part number	Units/ mach	Units/kit or pkg	Description
22-NS	40X0269	1	1	Power cord—USA ET AL 8ft right angle
NS	40X0270	1	1	Power cord—Japan 15A 8ft straight
NS	40X0274	1	1	Power cord—Switzerland 6ft straight
NS	40X0275	1	1	Power cord—Israel 6ft straight
NS	40X0276	1	1	Power cord—South Africa 6ft straight
NS	40X0277	1	1	Power cord—Brazil high amp 6ft straight
NS	40X0278	1	1	Power cord—Austria HV 6ft straight
NS	40X0279	1	1	Power cord—Danish 6ft straight
NS	40X0280	1	1	Power cord—Korea 10A3 6ft straight
NS	40X0281	1	1	Power cord—Taiwan 13A 6ft straight
NS	40X0282	1	1	Power cord—Peoples Republic of China straight 1.77 m straight
NS	40X0286	1	1	Power cord—United Kingdom 6ft straight
NS	40X0287	1	1	Power cord—Italy 6ft straight
NS	40x0288	1	1	Power cord—Argentina 8ft straight
NS	40X0296	1	1	Power cord—Australia 6ft straight
NS	40X0297	1	1	Power cord—USA ET AL 6ft straight

**Assembly 23: Miscellaneous**

Asm-Index	Part number	Units/mach	Units/kit or pkg	Description
23-NS	7374474	1	1	W840 Repacking kit
NS	40X0179	1	1	Nyogel 744 grease packet
NS	40X0248	1	1	Cx/Tx card assembly
NS	40X0250	1	1	9-pin to Twinax cable
NS	40X0251	1	1	9-pin to Coax (BNC) cable
NS	40X0252	1	1	9-pin to 9-pin cable assembly
NS	40X0290	1	1	RS232C serial interface card
NS	40X0291	1	1	Parallel 1284-B interface card
NS	40X0956	1	14	Maintenance kit (110 V) <ul style="list-style-type: none"> <li>• Fuser unit assembly</li> <li>• Transfer roll assembly</li> <li>• Feed rolls (4 each)</li> <li>• Pick rolls (4 each)</li> <li>• Separation rolls (4 each)</li> </ul>
NS	40X0957	1	14	Maintenance kit (220 V) <ul style="list-style-type: none"> <li>• Fuser unit assembly</li> <li>• Transfer roll assembly</li> <li>• Feed rolls (4 each)</li> <li>• Pick rolls (4 each)</li> <li>• Separation rolls (4 each)</li> </ul>
NS	40X0958	1	14	Maintenance kit (100 V) <ul style="list-style-type: none"> <li>• Fuser unit assembly</li> <li>• Transfer roll assembly</li> <li>• Feed rolls (4 each)</li> <li>• Pick rolls (4 each)</li> <li>• Separation rolls (4 each)</li> </ul>
NS	40X1375	1	1	MarkNet 8000 Fast Ethernet
NS	40X1376	1	1	MarkNet 8020 Gigabit Ethernet
NS	40X1377	1	1	MarkNet 8030 Fiber Ethernet
NS	40X1378	1	1	MarkNet 8050 wireless, US
NS	40X1562	1	1	MarkNet 8050 wireless, non-US
NS	40X1393	1	1	Bar code card assembly
NS	40X1394	1	1	PRESCRIBE card assembly
NS	40X1395	1	1	PrintCryption card assembly
NS	40X1396	1	1	Single-byte forms card assembly
NS	40X1397	1	1	Double-byte forms card assembly
NS	40X1508	1	1	128MB memory option
NS	40X1509	1	1	256MB memory option
NS	40X1510	1	1	512MB memory option
NS	40X1512	1	1	Japanese font card
NS	40X1513	1	1	Simplified Chinese font card
NS	40X1514	1	1	Traditional Chinese font card
NS	40X1515	1	1	Korean font card

**Assembly 23 (continued): Miscellaneous**

<b>Asm-Index</b>	<b>Part number</b>	<b>Units/option</b>	<b>Units/kit or pkg</b>	<b>Description</b>
NS	40X1564	1	1	32MB Flash card
NS	40X1455	1	1	64MB Flash card
NS	40X2610	1	1	Hard disk with adapter—40 GB
NS	40X2397	1	1	IPDS card assembly
NS	40X0948	NA	NA	Assorted e-clip packet
NS	40X0949	NA	NA	Assorted screw packet