

## 7. Parts catalog

### How to use this parts catalog

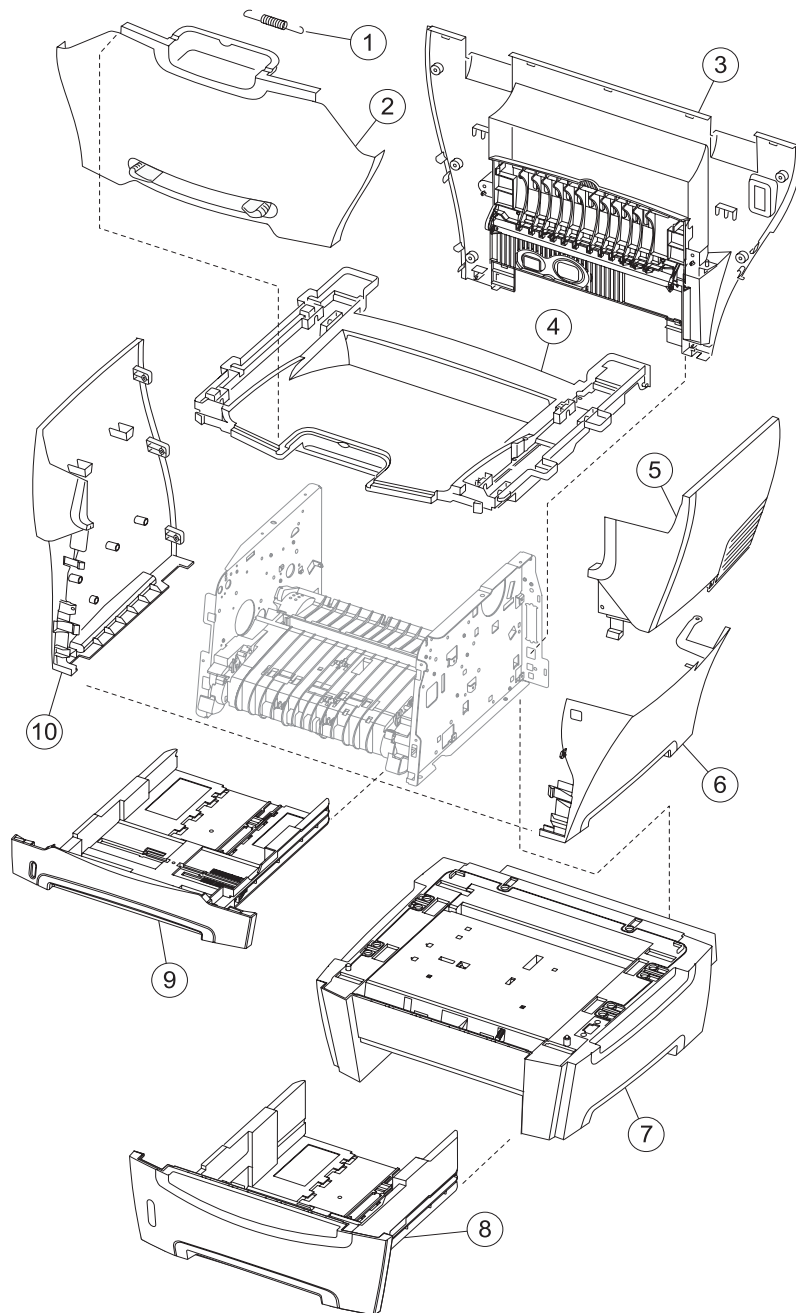
The following legend is used in the parts catalog:

Asm-Index	Part number	Units/mach	Units/FRU	Description
-----------	-------------	------------	-----------	-------------

- **Asm-index:** identifies the assembly and the item in the diagram. For example 3-1 indicates assembly 3 and the item number 1.
- **Part number:** identifies the unique number that identifies this FRU.
- **Units/mach:** refers to the number of units actually used in the machine or product.
- **Units/FRU:** refers to the number of units packaged together and identified by the part number.
- **NS:** (Not shown) in the Asm-Index column indicates that the part is procurable but is not pictured in the illustration.
- **PP:** (Parts Packet) in the parts description column indicates the part is contained in a parts packet.
- Model information used in the parts catalog.

Machine type and model	Description
7003-100	Lexmark X340
7003-050	Lexmark X340n
7003-110	Lexmark X342n

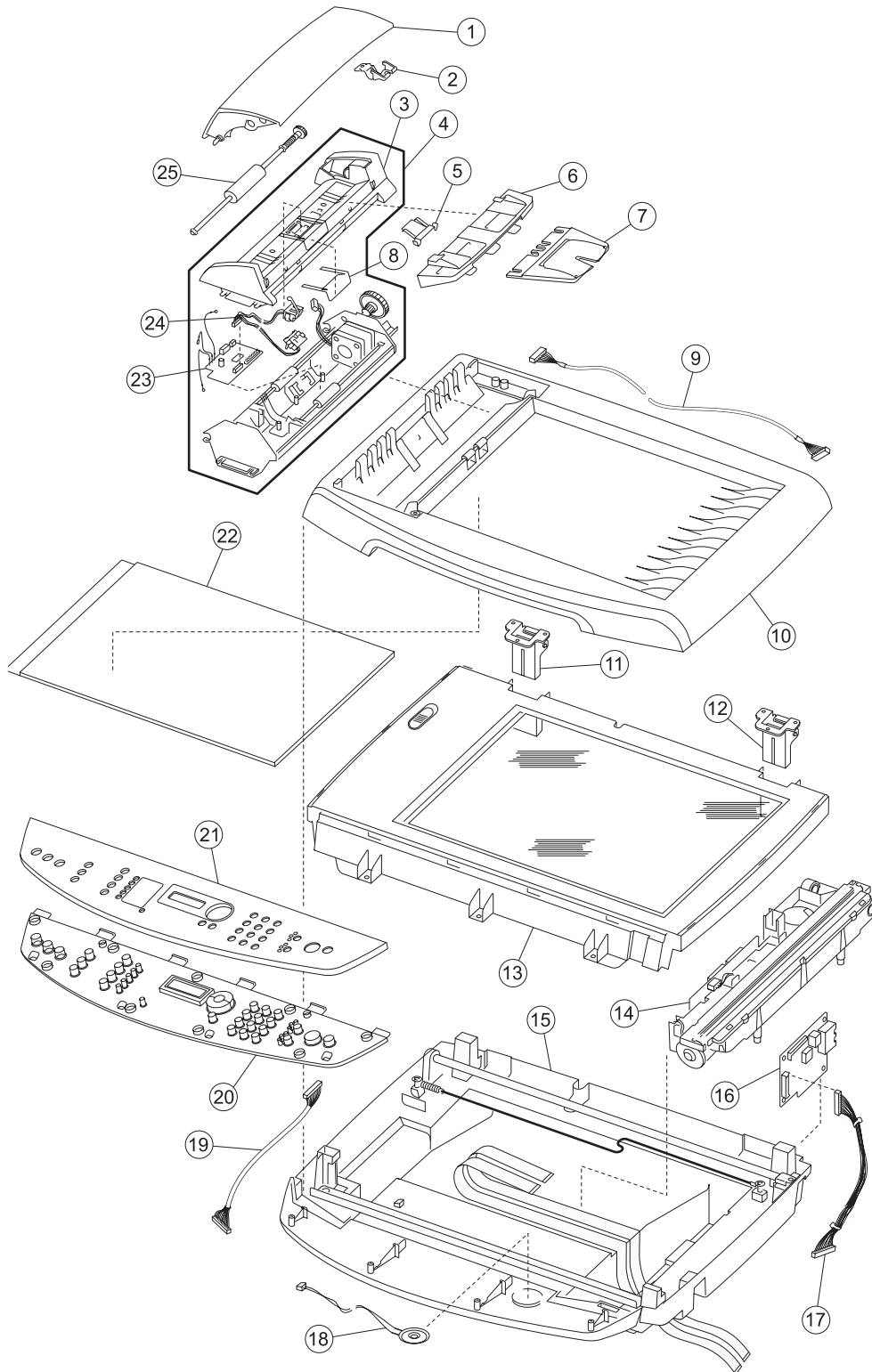
## Assembly 1: Covers



## Assembly 1: Covers

Asm-Index	Part number	Units/mach	Units/FRU	Description
1-1	40X1354	1	1	ACM and front door springs
2	40X2423	1	1	Front cover assembly
3	40X2422	1	1	Rear cover assembly
4	40X2421	1	1	Base top cover assembly
5	40X2425	1	1	Upper right side cover
6	40X2426	1	1	Lower right side cover
7	40X2433	1	1	Optional drawer 2 assembly (no tray)
8	40X2432	1	1	Optional tray 2
9	40X2420	1	1	Main tray
10	40X2424	1	1	Left side cover
NS	40X2429	1	1	Legal extender cover

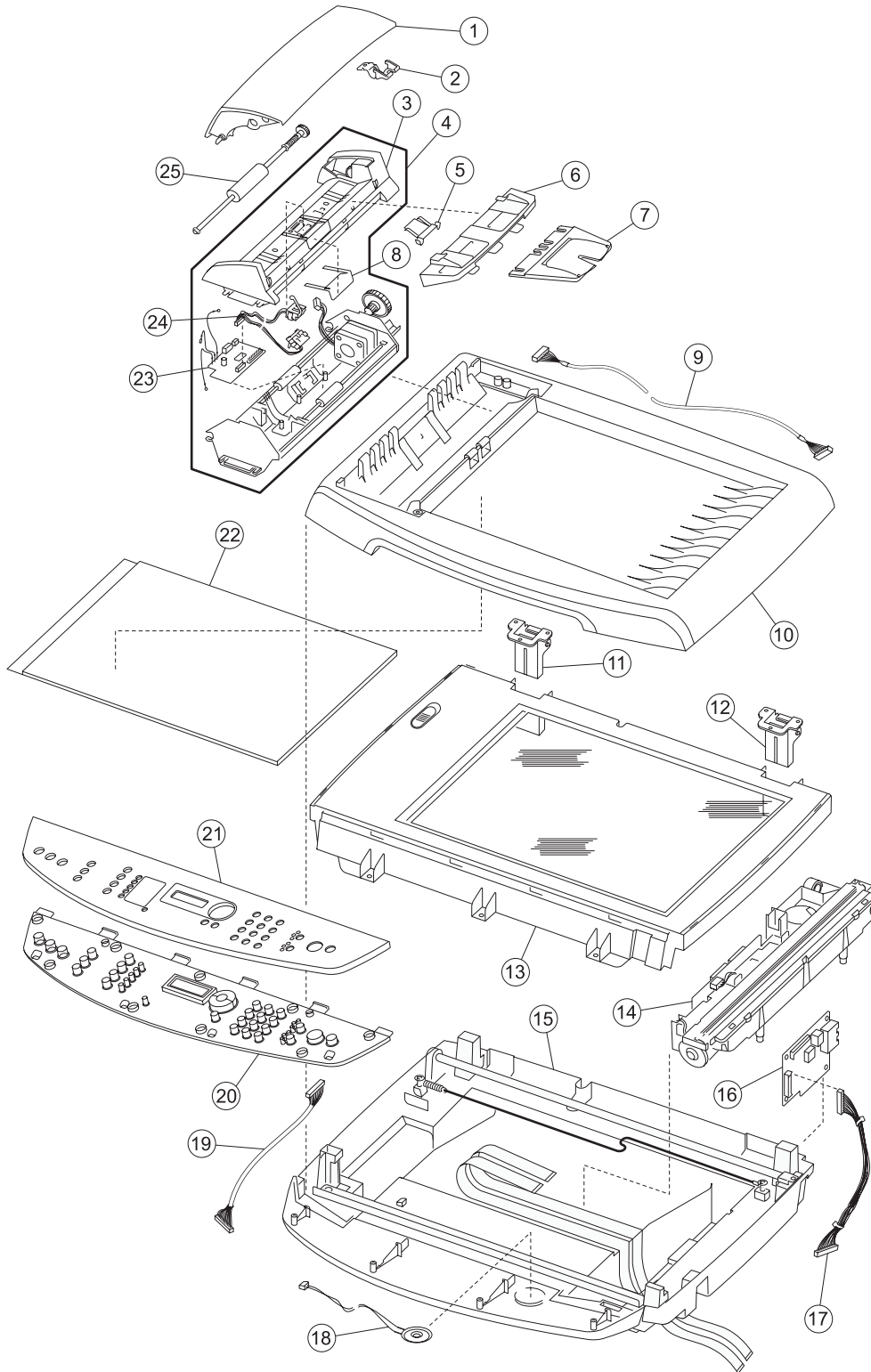
## Assembly 2: Scanner



## Assembly 2: Scanner

Asm-Index	Part number	Units/mach	Units/FRU	Description
1	40X2400	1	1	ADF top cover
2	40X2402	1	1	Pick roll hinge
3	40X2620	1	1	ADF top assembly
4	40X2629	1	1	ADF assembly
5	40X2404	1	1	Pick roll pad
5	40X3499	1	1	High friction pick roll pad
6	40X2406	1	1	ADF input tray assembly
7	40X2407	1	1	ADF extension assembly
8	40X2405	1	1	Mylar ADF guide
9	40X2408	1	1	ADF cable
10	40X2409	1	1	Flatbed cover
11	40X2412	1	1	Black flatbed stud
12	40X2413	1	1	Silver flatbed stud
13	40X2411	1	1	Scanner top housing
14	40X2631	1	1	CCD assembly
15	40X2415	1	1	Scanner base assembly
16	40X2427	1	1	Modem card
17	40X2428	1	1	Modem cable
18	40X2611	1	1	Modem speaker
19	40X2418	1	1	Operator panel cable
20	40X2417	1	1	Operator panel assembly
21	40X2690	1	1	X 340–X340n Operator panel overlay (English)
21	40X2706	1	1	X 342n Operator panel overlay (English)
21	40X2691	1	1	X 340–X340n Operator panel overlay (Spanish)
21	40X2707	1	1	X 342n Operator panel overlay (Spanish)
21	40X2692	1	1	X 340–X340n Operator panel overlay (French)
21	40X2708	1	1	X 342n Operator panel overlay (French)
21	40X2693	1	1	X 340–X340n Operator panel overlay (Brazilian Portuguese)
21	40X2709	1	1	X 342n Operator panel overlay (Brazilian Portuguese)
21	40X2694	1	1	X 340–X340n Operator panel overlay (German)
21	40X2710	1	1	X 342n Operator panel overlay (German)
21	40X2695	1	1	X 340–X340n Operator panel overlay (Italian)
21	40X2711	1	1	X 342n Operator panel overlay (Italian)
21	40X2696	1	1	X 340–X340n Operator panel overlay (Dutch)
21	40X2712	1	1	X 342n Operator panel overlay (Dutch)
21	40X2697	1	1	X 340–X340n Operator panel overlay (Danish)
21	40X2713	1	1	X 342n Operator panel overlay (Danish)

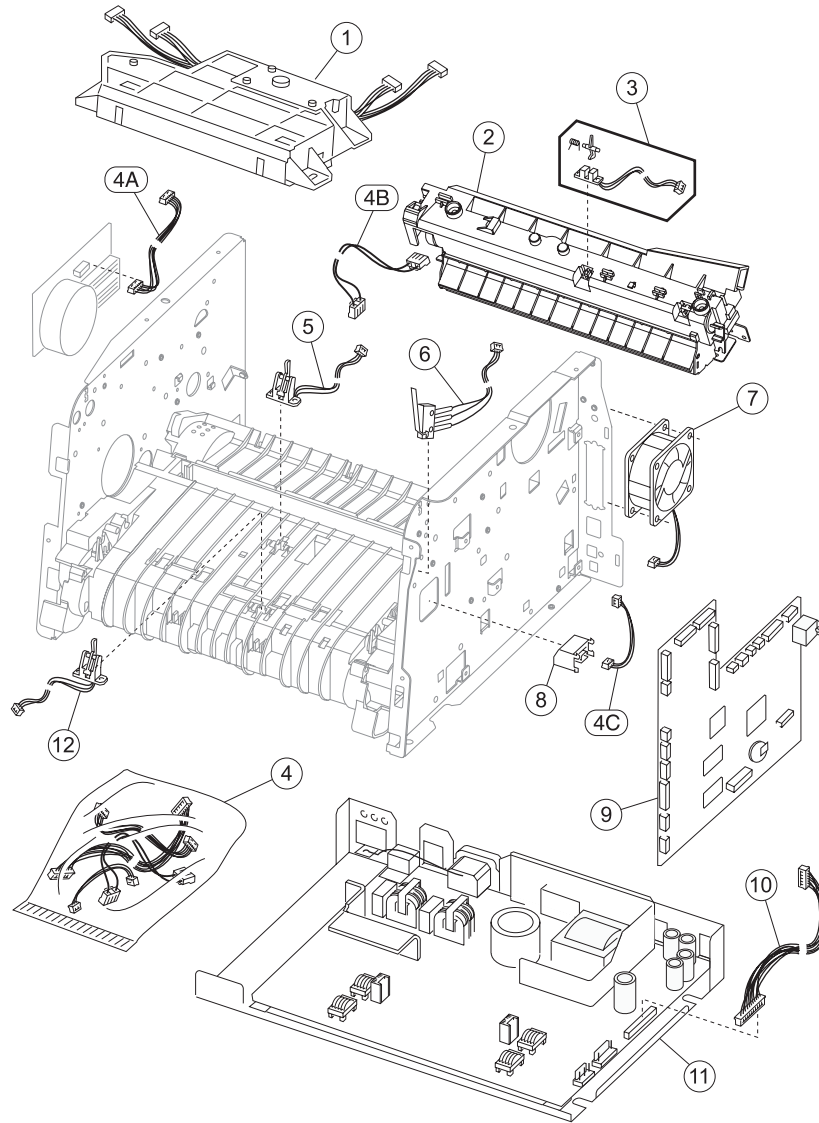
### Assembly 2 (continued): Scanner



**Assembly 2 (continued): Scanner**

Asm-Index	Part number	Units/mach	Units/FRU	Description
21	40X2698	1	1	X 340–X340n Operator panel overlay (Norwegian)
21	40X2714	1	1	X 342n Operator panel overlay (Norwegian)
21	40X2699	1	1	X 340–X340n Operator panel overlay (Swedish)
21	40X2715	1	1	X 342n Operator panel overlay (Swedish)
21	40X2700	1	1	X 340–X340n Operator panel overlay (Finnish)
21	40X2716	1	1	X 342n Operator panel overlay (Finnish)
21	40X2701	1	1	X 340–X340n Operator panel overlay (Russian)
21	40X2717	1	1	X 342n Operator panel overlay (Russian)
21	40X2702	1	1	X 340–X340n Operator panel overlay (Polish)
21	40X2718	1	1	X 342n Operator panel overlay (Polish)
21	40X2703	1	1	X 340–X340n Operator panel overlay (Simplified Chinese)
21	40X2719	1	1	X 342n Operator panel overlay (Simplified Chinese)
21	40X2704	1	1	X 340–X340n Operator panel overlay (Traditional Chinese)
21	40X2720	1	1	X 342n Operator panel overlay (Traditional Chinese)
21	40X2705	1	1	X 340–X340n Operator panel overlay (Korean)
21	40X2721	1	1	X 342n Operator panel overlay (Korean)
22	40X2410	1	1	Flatbed cushion
23	40X2630	1	1	ADF card
24	40X2619	1	1	ADF sensor assembly
25	40X2401	1	1	ADF pick roll assembly
NS	40X2613	1	1	ADF nylon twist lock

## Assembly 3: Electronics

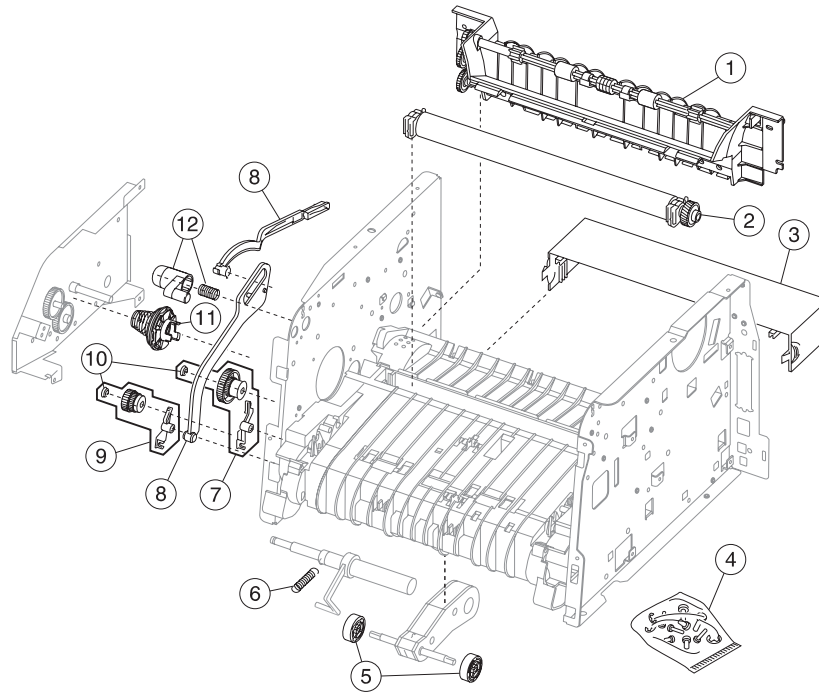





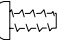





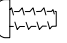
### Assembly 3: Electronics

Asm-Index	Part number	Units/mach	Units/FRU	Description
3-1	40X1303	1	1	Laser/mirror print assembly, X340, X340n, X342n
2	40X1300	1	1	Fuser assembly, 110 V
2	40X1301	1	1	Fuser assembly, 220 V
2	40X1302	1	1	Fuser assembly, 100 V
3	40X1325	1	1	Exit sensor assembly
4	40X1333	1	1	Miscellaneous cable assemblies <b>Note:</b> Do not use the included LVPS/HVPS cable. Order part 40X2416. <ul style="list-style-type: none"> <li>• Toner sensor</li> <li>• Fuser power</li> <li>• Main drive motor</li> </ul>
5	40X1323	1	1	Input #1 sensor assembly
6	40X1326	1	1	Cover open sensor assembly
7	40X1328	1	1	Cooling fan
8	40X1332	1	1	Toner level sensor
9	40X2632		1	Controller card
10	40X2416	1	1	LVPS to controller card cable
11	40X2430	1	1	LVPS/HVPS 110V card
11	40X2431	1	1	LVPS/HVPS 220V card
12	40X1324	1	1	Input #2 sensor assembly (manual feeder)
NS	40X2434	1	1	Network daughtercard
NS	40X2660	4	1	Ferrite core

## Assembly 4: Frame



## Assembly 4: Frame

Asm-Index	Part number	Units/mach	Units/FRU	Description
3-1	40X1334	1	1	Paper exit guide assembly
2	40X2822	1	1	Transfer, roll, bearings, gear, spring
3	40X2429	1	1	Legal extender cover
4	40X1353	N/A	N/A	Screws, miscellaneous (actual size) TP2NC-3.0+6P-Ni (2)   M3.0*0.5+6P-Ni,2 Washer (2)   MT3.0*0.5+6PF-Ni (5)   TP2NC-3.0+6PF-Ni (4)  
5	40X1319	2	2	Paper feed, rubber tires
6	40X1354	1		Front door and ACM springs
7	40X1331	1	1	Autocompensator clutch CBM
8	40X1338	1	1	Door-fuser idle gear link CBM
9	40X1330	1	1	Manual feed clutch CBM
10	40X1355	2	2	Plastic snap rings
11	40X1329	1	1	Developer drive coupling assembly
12	40X1337	1	1	Front access cover latch CBM

**Assembly 5: Miscellaneous**

Asm-Index	Part number	Units/mach	Units/FRU	Description
NS	12A2405	1	1	USB cable, packaged
NS	7376595	1		Field location package assembly
NS	40X0289	1	1	Power cord, 1.8M (straight)—USA, Canada
NS	40X0278	1	1	Power cord, 6 foot (straight)—Europe and others
NS	40X0288	1	1	Power cord, 6 foot—Argentina
NS	40X0271	1	1	Power cord, 6 foot—United Kingdom
NS	40X0275	1	1	Power cord, 6 foot (straight)—Israel
NS	40X0274	1	1	Power cord, 6 foot—Switzerland
NS	40X0276	1	1	Power cord, 6 foot—South Africa
NS	40X0287	1	1	Power cord, 6 foot (straight)—Traditional Italy
NS	40X0279	1	1	Power cord, 6 foot (straight)—Danish
NS	40X0277	1	1	Power cord, 6 foot (straight)—Brazil
NS	40X0282	1	1	Power cord, 1.8M (straight)—PRC
NS	40X0270	1	1	Power cord, 1.8M (straight)—Japan
NS	40X0280	1	1	Power cord, 1.8M (straight)—Korea
NS	40X0281	1	1	Power cord, 1.8M (straight)—Taiwan
NS	40X0296	1	1	Power cord, 1.8M (straight)—Australia