

Revised: February 2005



Service Manual

Lexmark™ T430

4048-1xx

- ***Table of contents***
- ***Start diagnostics***
- ***Safety and notices***
- ***Trademarks***
- ***Index***

LEXMARK™

Lexmark and Lexmark with diamond design are trademarks of Lexmark International, Inc., registered in the United States and/or other countries.

7. Parts catalog

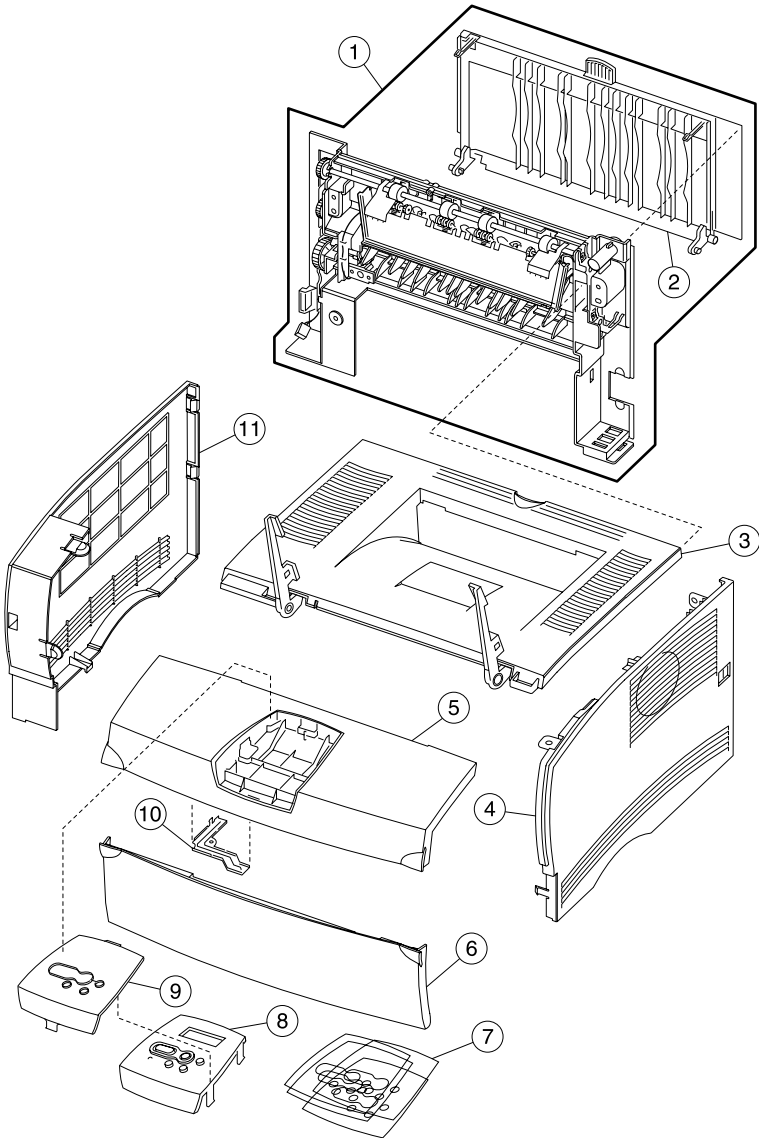
How to use this parts catalog

Abbreviations used in the parts catalog include the following:

- NS: (Not Shown) in the Asm-Index column indicates that the part is procurable but is not pictured in the illustration.
- 101, 102, or 111: FRUs may be identified by model numbers. The following table lists the models and their descriptions.

Machine type and model	Description
4048-101	Duplex, non-network
4048-102	Duplex, network
4048-111	Simplex, non-network

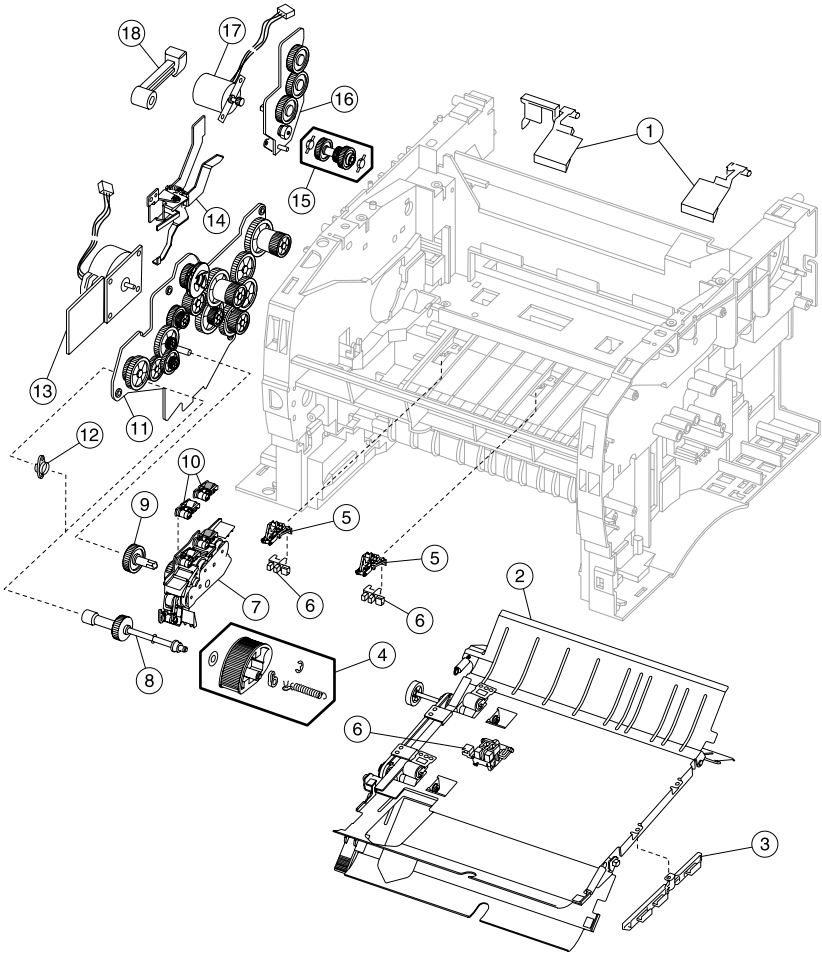
Assembly 1: Covers



Assembly 1: Covers

Asm-index	Part numbers	Units	Description
1-1	56P2302	1	Rear cover assembly
2	56P2301	1	Rear exit door assembly
3	56P2306	1	Top cover assembly
4	56P2307	1	Right cover assembly
5	56P2305	1	Front cover assembly
6	56P2303	1	MPF door cover assembly
7	56P2342	1	Language overlay group
8	56P2353	1	Operator panel assembly
8	56P2356	1	Operator panel assembly (Japan)
9	56P2343	1	Clear bezel with logo
10	56P2354	1	Operator panel cable cover
11	56P2300	1	Left cover assembly

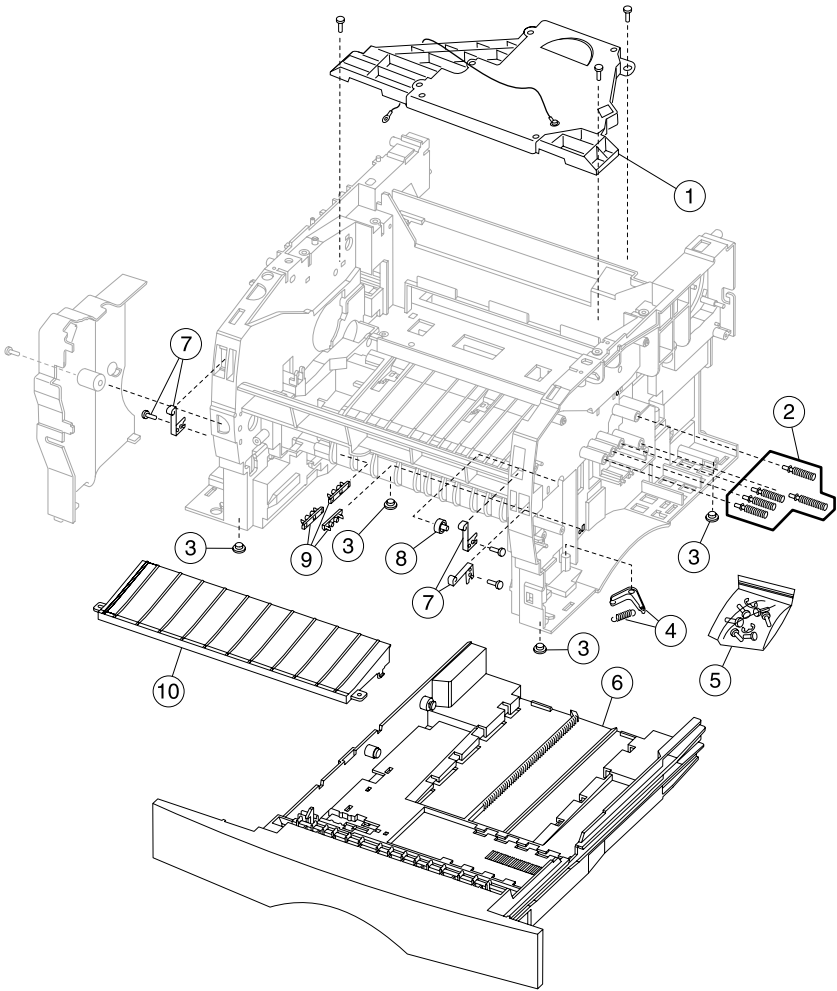
Assembly 2: Paper feed



Assembly 2: Paper feed

Asm-index	Part numbers	Units	Description
2-1	56P2304	1	Stack control flags (output tray full flags)
2	56P0651	1	Duplex assembly (101, 102)
3	56P2365	1	Paper guide bracket
4	56P2352	1	Paper feed roll
5	56P0655	2	Paper sensor bracket, one per package
6	56P0645	1	Photo sensor, one per package
7	56P2309	1	Reference feed CBM
8	56P0657	1	Paper feed assembly
9	56P0634	1	Paper feed gear
10	56P2308	1	Backup feed roller assembly (top front and rear)
11	56P2326	1	Drive assembly Order a lubricant to use with these gears, P/N 99A0394, (FRU, Nyogel 744). See page 4-6 .
12	56P2334	1	Paper feed/drive bushing
13	56P2325	1	Main drive motor assembly
14	56P0638	1	Cartridge coupling
15	56P2363	1	Ratchet drive Order a lubricant to use with these gears, P/N 99A0394, (FRU, Nyogel 744). See page 4-6 .
16	56P2327	1	Exit gear drive assembly Order a lubricant to use with these gears, P/N 99A0394, (FRU, Nyogel 744). See page 4-6 .
17	56P2360	1	Exit drive motor
18	56P0639	1	Guide bracket

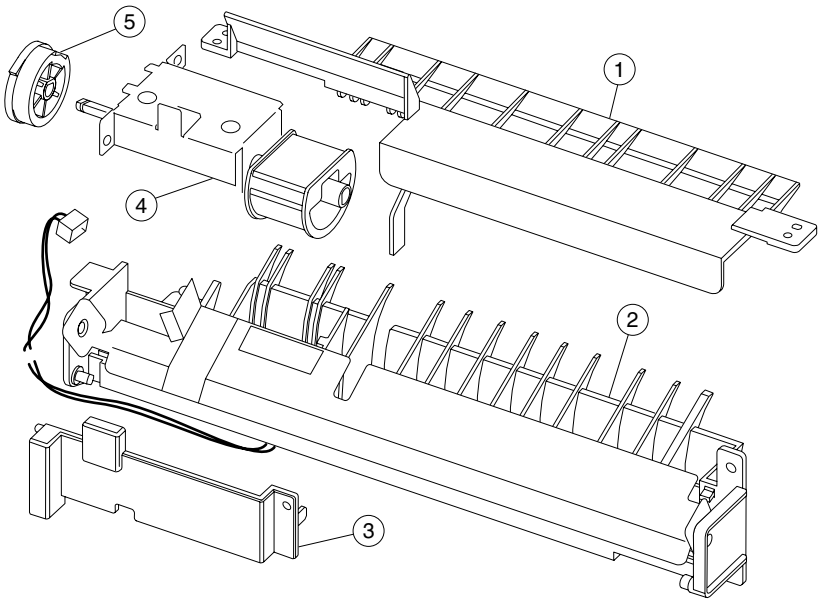
Assembly 3: Frame



Assembly 3: Frame

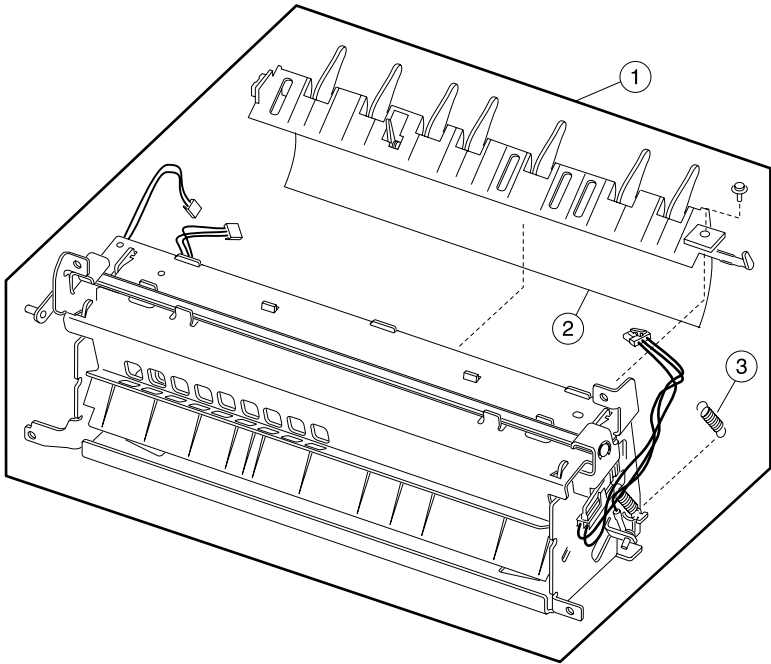
Asm-index	Part numbers	Units	Description
3-1	56P2319	1	Printhead assembly
2	56P0629	1	Cartridge contact assembly (includes 5)
3	56P0662	1	Base feet
4	56P0661	1	Tray damper
5	56P0668	1	Parts packet, screws and E-rings
6	56P2310	1	Main tray assembly, 250
7	56P0667	1	Door latch (includes 3)
8	56P0660	1	Paper guide roller
9	56P0672	1	Tray body bracket (includes 4)
10	56P2351	1	Entrance guide assembly with brush

Assembly 4: Multipurpose feeder (MPF)



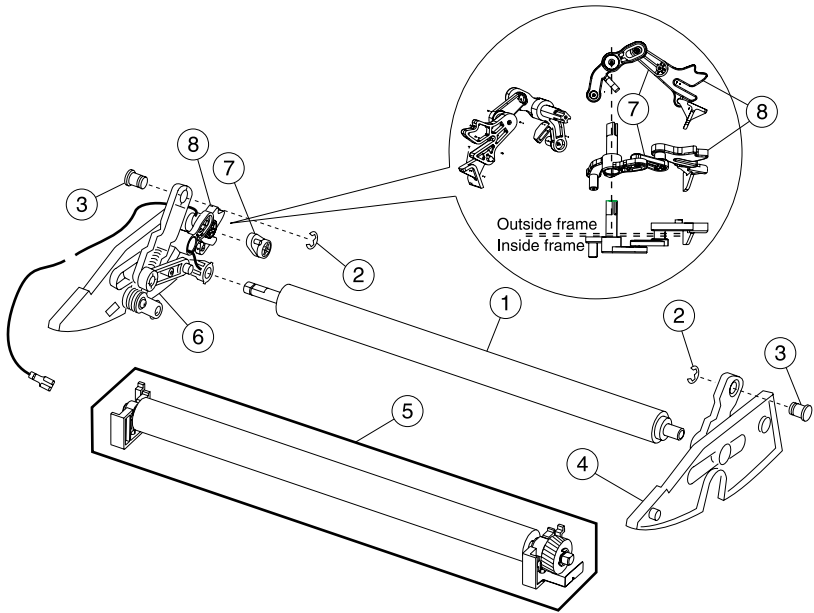
Asm-index	Part numbers	Units	Description
4-1	56P2312	1	Upper MPF housing assembly
2	56P2311	1	Lower MPF housing assembly
3	56P0615	1	MPF paper feed cover cap
4	56P2359	1	MPF pick roll assembly
5	56P2358	1	MPF paper pick gear (order lubricant to use with this gear, P/N 99A0394)

Assembly 5: Fuser



Asm-index	Part numbers	Units	Description
5-1	56P2330	1	Fuser assembly, 110 V
1	56P2331	1	Fuser assembly, 220 V
1	56P2332	1	Fuser assembly, 100 V
2	56P2355	1	Fuser paper exit guide assembly
3	56P0676	1	Fuser exit spring

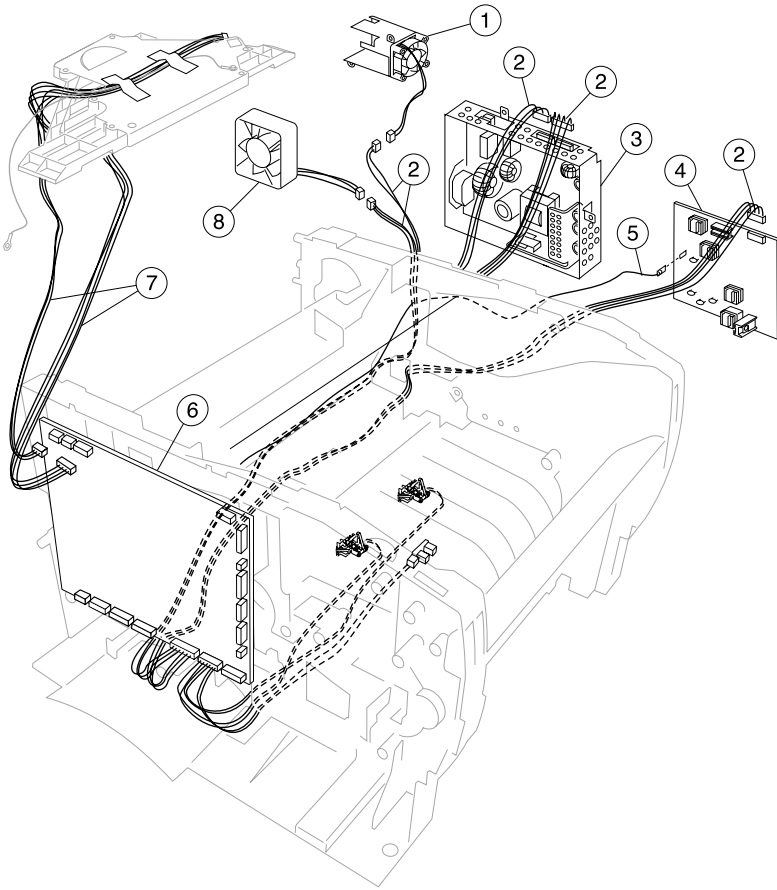
Assembly 6: Charging



Assembly 6: Charging

Asm-index	Part numbers	Units	Description
6-1	56P0640	1	Charge roll Note: Customer replaceable unit is a different part number; order CRU P/N 56P2341
2	56P0668	1	Parts packet, screws and E-rings
3	56P0669	1	Pivot hinge (quantity 2)
4	56P2328	1	Right guide assembly
5	56P2329	1	Transfer roll assembly
6	56P2340	1	Left guide assembly
7	56P2349	1	Fuser lift (inner) link
8	56P2348	1	Fuser lift (outer) link assembly

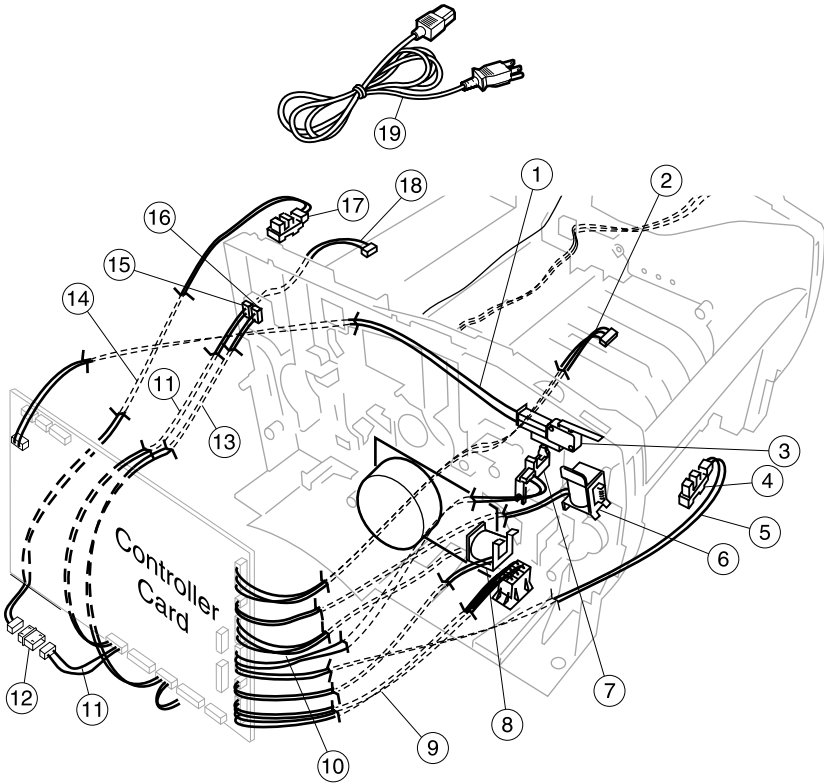
Assembly 7: Electronics and cables 1



Assembly 7: Electronics and cables 1

Asm-index	Part numbers	Units	Description
7-1	56P2357	1	LVPS fan and housing assembly
2	56P2335	1	Main harness cable assembly, including wiring to the following locations: <ul style="list-style-type: none"> • LVPS fan/fuser fan • HVPS • Main fan • LVPS power • LVPS control • Paper-input sensor/duplex
3	56P2320	1	Power supply, 110 V
3	56P2321	1	Power supply, 220 V
3	56P2339	1	Power supply, 100 V
4	56P2322	1	High voltage power supply
5	56P2340	1	Left guide assembly (only the end of the cable shown)
6	56P2369	1	Controller card assembly, non-network (101, 111)
6	56P2370	1	Controller card assembly, network (102)
7	56P2318	1	Printhead cable assembly
8	56P2323	1	Fuser cooling fan

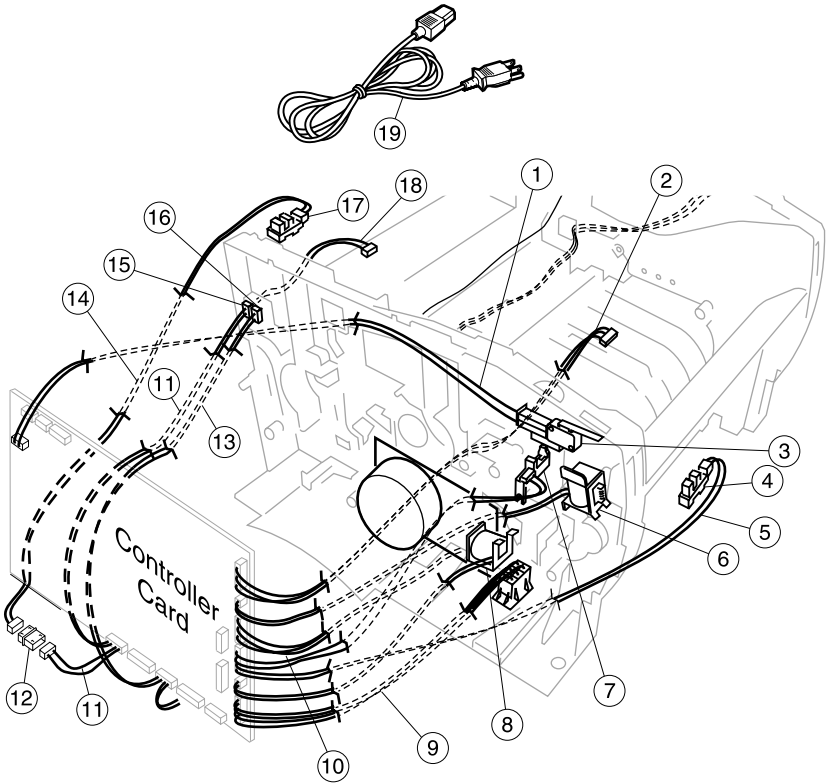
Assembly 8: Electronics and cables 2



Assembly 8: Electronics and cables 2

Asm-index	Part numbers	Units	Description
8-1	56P0624	1	Cover switch cable assembly
2	56P2317	1	Operator panel cable assembly
3	56P0625	1	Interlock cover switch
4	56P0645	6	Photo sensor, included with P/N 56P2311 (lower MPF housing)
5			Available only with P/N 56P2311
6 and 8	56P2313	2	Paper feed solenoid
7	56P0653	1	Toner level sensor
9	56P2324	1	Drawer cable assembly
10	56P2316	1	Motor cable assembly
11	56P2336	1	Output full and fuser exit cable assembly
12			Double 3-pin connector, available only with P/N 56P2336
13	56P2350	1	Cartridge signature button switch (attached cable shown)
14	56P0682	1	Output full sensor cable
15	56P0665	1	3-pin connector
16	56P0666	1	2-pin connector
17	56P0645	1	Photo sensor
18	56P0649	1	Fuser exit cable assembly

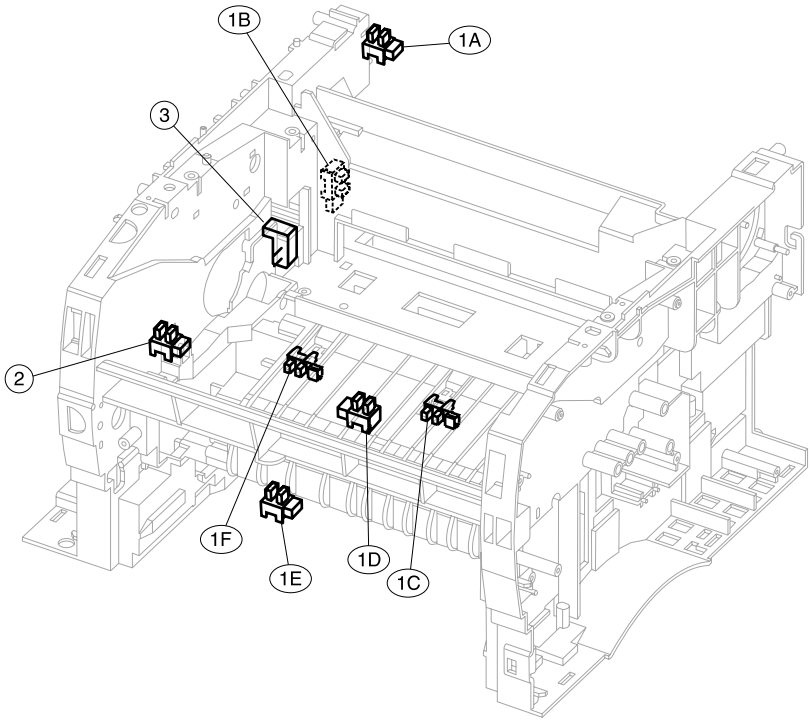
Assembly 8 (cont.): Electronics and cables II



Assembly 8 (cont.): Electronics and cables II

Asm-index	Part numbers	Units	Description
8-19	70G0478	1	Power cord, US, Bolivia, Canada, Caribbean countries, Columbia, Costa Rica, Dominican Republic, Ecuador, El Salvador, Guatemala, Honduras, Japan, Mexico, Nicaragua, Panama, Peru, Puerto Rico, Saudi Arabia, Taiwan, The Virgin Islands, Venezuela, AP-LV
19	1339528	1	Power cord, Bahrein, Cyprus, Iraq, Ireland, Kuwait, Oman, Qatar, UAE, UK, Yemen (HV)
19	1339529	1	Power cord, Austria, Belgium, Bosnia, Bulgaria, Catalan, Croatia, Czech, Egypt, Albania (Euro English and other East), Finland, France, Germany, Greece, Hungary, Iceland, Iran, Italy, Jordan, Lebanon, Macedonia, Netherlands, Norway, Paraguay, Poland, Portugal, Romania, Russia and CIS, Slovak countries, Slovenia, Spain, Sweden, Syria, Turkey, Yugoslavia (Serbia and Montenegro)(HV)
19	1339530	1	Power cord, Israel (HV)
19	1339531	1	Power cord, Switzerland (HV)
19	1339532	1	Power cord, Lybia, Pakistan, South Africa (HV)
19	1339533	1	Power cord, Chile, Uruguay (HV)
19	1339534	1	Power cord, Denmark (HV)
19	43H5545	1	Power cord, PR China (HV)
19	1339548	1	Power cord, Brazil (LV)
19	11D0330	1	Power cord, Argentina
19	1339520	1	Power cord, U.S. (HV) RPQ

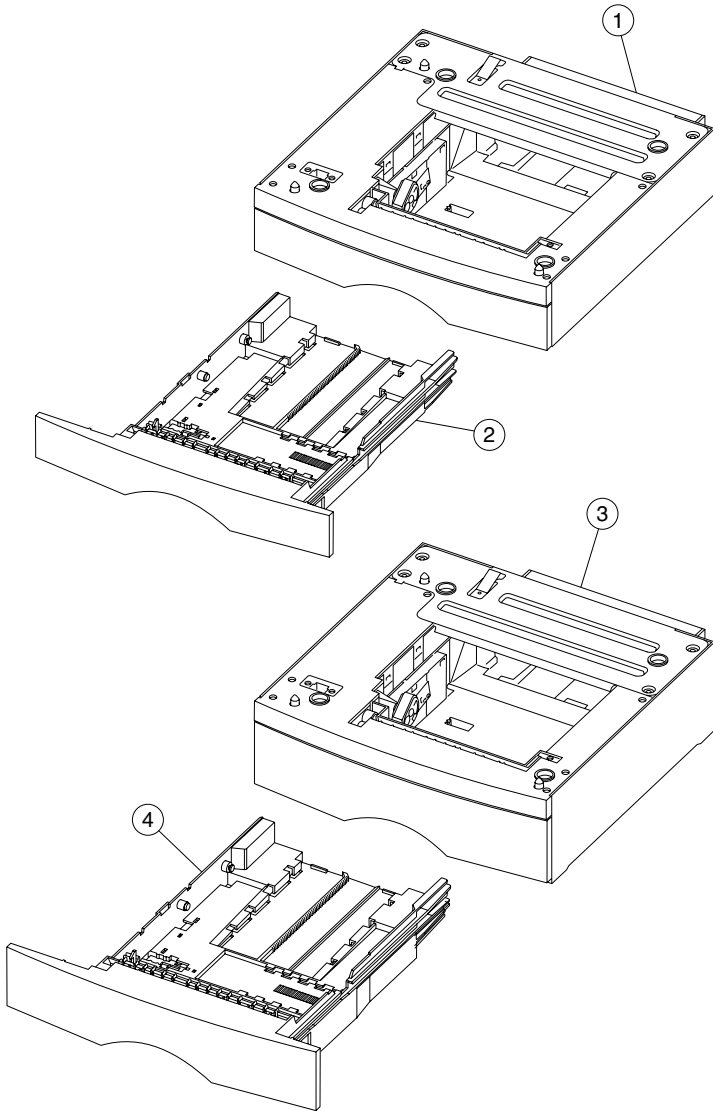
Assembly 9: Sensors



Assembly 9: Sensors

Asm-index	Part numbers	Units	Description
9-1	56P0645	1	Photo sensor, locations found: A—Paper path exit flag B—Fuser exit sensor C—Paper path below cartridge D—Paper path duplex E—Paper path MPF F—Paper path below cartridge
2	56P0653	1	Toner level sensor
3	56P2350	1	Cartridge signature button switch

Assembly 10: Options



Assembly 10: Options

Asm-index	Part numbers	Units	Description
10-1	56P2346	1	Drawer assembly, 250 T2 and base
2	56P2344	1	Tray assembly, 250-sheet T2
3	56P2347	1	Drawer assembly, 500 T3 and base
4	56P2345	1	Tray, assembly, 500-sheet T3
NS	56P0696	1	16MB SDRAM DIMM
NS	56P0697	1	32MB SDRAM DIMM
NS	56P0698	1	64MB SDRAM DIMM
NS	56P0699	1	128MB SDRAM DIMM
NS	56P2361	1	256MB PC100 kit DIMM
NS	56P1417	1	16MB flash card assembly
NS	56P1418	1	32MB flash card assembly
NS	56P1427	1	Optra Forms™ 32 MB flash card asm.
NS	56P1428	1	Optra Forms 16 MB flash card assembly
NS	56P3845	1	Lexmark Forms card assembly
NS	56P3304	1	ImageQuick™ card assembly (T430)
NS	56P3305	1	PRESCRIBE card assembly
NS	56P3144	1	PrintCryption card
NS	56P3317	1	Bar code card
NS	56P1429	1	Simplified Chinese font card assembly
NS	56P1430	1	Traditional Chinese font card assembly
NS	56P1438	1	Japanese font card assembly
NS	56P2231	1	Korean font card assembly
NS	12G9833	1	MarkNet™ X2011e Ethernet 10/100 BaseTX
NS	12G9832	1	MarkNet X2012e Ethernet 10/100 BaseTX/10Base2
NS	12G9831	1	MarkNet X2031e Ethernet 10/100 BaseTX
NS	12G9830	1	MarkNet X2030t Token-Ring
NS	56P3837	1	IPDS and SCS/TNe card assembly
NS	99A0545	1	External serial adapter
NS	1329605	1	High-speed bidi parallel cable (10 ft)
NS	12A2405	1	USB cable, 2 m
NS	1038693	1	Serial cable, 50 ft

Assembly 11: Miscellaneous

Asm-index	Part numbers	Units	Description
NS	7370971	1	Field relocation kit
NS	56P2333	1	110 V maintenance kit
NS	56P2337	1	220 V maintenance kit
NS	56P2338	1	100 V maintenance kit
NS	56P2364	1	Maintenance kit parts group, see “Maintenance kit parts group” on page 6-3.
NS	56P2341	1	Customer replaceable (CRU) charge roll