

Electronic Accessories**ADF Assembly**

C9143A 50 page ADF assembly upgrade kit - Adds automatic document feeder capabilities to the LaserJet 3300

Cable (Interface)

8120-8485 Universal Serial Bus (USB) interface cable - Type 'A' connector to type 'B' connector, 1.8m (6.0 ft) long
C2950A IEEE-1284 Bi-Tronics parallel cable - DB-25 (M) connector (type A) to 36 pin Centronics (M) connector (type B) - 2.0m (6.6ft) long
5063-1256 *New Part for C2950A*
C2951A IEEE-1284 Bi-Tronics parallel cable - DB-25 (M) connector (type A) to 36 pin Centronics (M) connector (type B) - 3.0m (9.8ft) long
8121-0712 Universal serial bus (USB) interface cable - Type 'A' connector to type 'B' connector - 0.6m (24-inches) long

Interface (Product)

J6038A HP JetDirect 310X external print server - Fast Ethernet Internet connector for sharing network peripherals with USB ports, in a 10/100 TX LAN environment - Has one USB printer port and one RJ-45 10/100 Base-TX connector

Memory (DIMM)

C7842-67901 8MB, 100-pin SDRAM DIMM memory module
C7843-67901 16MB, 100-pin SDRAM DIMM memory module
C7845-67901 32MB, 100-pin SDRAM DIMM memory module
C7846-67901 64MB SDRAM - 100MHz synchronous DRAM - DIMM package
Q1887-67901 *New Part for C7846-67901*

Memory (Product)

C7842A 8MB, 100-pin SDRAM DIMM memory module
C7843A 16MB, 100-pin SDRAM DIMM memory module
C7845A 32MB, 100-pin SDRAM DIMM memory module
C7846A 64MB SDRAM - 100MHz synchronous DRAM - DIMM package
Q1887AX *New Part for C7846A*
Q1887A 64MB, 100-pin synchronous SDRAM DIMM memory module

Electronics/Power Cords**Cable**

16 C9124-60111 Cable assembly - Connects between the control panel keypad and the scanner formatter PC board assembly
17 C9124-60116 Flex Cable Assembly - Interconnects the scanner formatter PC board assembly to the printer formatter PC board
18 RG0-1074-000CN Cable assembly with ferrite - 4 pin (F) connector on both ends - 35.7cm (14.1 inches) long - Connects between the laser/scanner assembly and the formatter board
19 RH2-5440-000CN Flex cable - Has two 10 pin (M) edge connectors - 11.4cm (4.5 inches) long - Connects between the laser/scanner assembly and the formatter PC board

Control Panel

20 C9124-60108 Control panel keypad assembly - Has 'Copy', 'Print' and 'Scan' key functions - Does NOT include the bezel - Used with the LaserJet 3300, 3320 and 3320n only

Fan/Airflow Guide

21 RG0-1119-000CN Fan and airflow guide assembly - Mounts to the upper front on the right side plate

Laser/Scanner

22 RG9-1486-000CN Laser/scanner assembly - Mounts on top of the print structure frame

PC Board

C8066-60002 Scanner Formatter PC board assembly - Includes the PC board and interconnecting flex cable - Mounts to the left end of the scanner assembly - When upgrading to the new scanner board also order the RFI shield
24 C9158-60002 Formatter PC Board assembly - Mounts on the left side frame
25 RG0-1117-040CN Engine control PC board - Main logic and power supply board for the printer - Mounts in the bottom of the printer (For 110V to 127V operation)

Electronics/Power Cords
PC Board

- 26 RG0-1118-050CN Engine control PC board - Main logic and power supply board for the printer - Mounts in the bottom of the printer (For 220V to 240V operation)

Power Cord

- 8120-6800 Power cord (Flint Gray) - 16 AWG, 2.3m (7.5ft) long - Has straight (F) receptacle (For 240V in Israel)
- 8120-6809 Power cord (Dove Gray) - 2.3m (7.5ft) long - Has straight (F) receptacle (For 240V operation in the United Kingdom, Hong Kong, Singapore, Malaysia)
- 8120-6811 Power cord (Flint Gray) - 17 AWG, 2.3m (7.5ft) long - Has straight (F) receptacle (For 220V in Europe, Saudi Arabia, South Africa, India, and Korea)
- 8120-6812 Power cord (Flint Gray) - 18 AWG, 2.3m (7.5ft) long - Has straight (F) receptacle (For 120V in the USA, Canada, Mexico, Philippines, and Taiwan)
- 8120-6813 Power cord (Flint Gray) - 17 AWG, 2.3m (7.5ft) long - Has straight (F) receptacle (For 220V in South Africa, Saudi Arabia, and India)
- 8120-6814 Power cord (Flint Gray) - 17 AWG, 2.3m (7.5ft) long - Has straight (F) receptacle (For 220V in Denmark)
- 8120-6815 Power cord (Flint Gray) - 17 AWG, 2.3m (7.5ft) long - Has straight (F) receptacle (For 220V in Switzerland)

Sensor

- 34 RG0-1072-000CN Paper sensor PC board - Small board with optical flag sensor (Flag not included) - For sensing leading edge of paper - Mounts on the paper feed assembly in the paper pick-up assembly
- 35 RG0-1082-000CN Delivery sensor PC board - Small board with optical flag sensor (Flag not included) - For sensing paper output - Mounts on the bottom center of the fusing assembly

Shield

- C9124-00002 RFI shield for the scanner controller PC board assembly

Solenoid

- 37 RH7-5315-000CN 24VDC Solenoid - Engages the pick-up roller gear/clutch assembly - Mounts on the right side plate assembly

Speaker

- 38 C9124-60113 Speaker assembly - Includes the speaker and cable - Mounts in the lower part of the control panel support chassis

Spring

- 39 RA0-1035-000CN Torsion spring - Provides high voltage connection to the toner cartridge (developing cylinder) - Mounts between the paper pickup roller and the transfer roller on the left side of the paper pickup assembly
- 40 RA0-1200-000CN Torsion spring - Provides high voltage connection to the toner cartridge (primary charging roller) - Mounts behind the transfer roller on the left side of the paper pickup assembly

External Case Parts
Bezel

- 41 C9124-40017 Control panel bezel - Oval shaped plastic piece with cutouts for the control function keys (Korean) - For the LaserJet 3300 only
- 42 C9124-40018 Control panel bezel - Oval shaped plastic piece with cutouts for the control function keys (Simplified Chinese) - For the LaserJet 3300 only
- 43 C9124-40019 Control panel bezel - Oval shaped plastic piece with cutouts for the control function keys (Thai) - For the LaserJet 3300 only
- 44 C9124-40020 Control panel bezel - Oval shaped plastic piece with cutouts for the control function keys (Greek) - For the LaserJet 3300 only
- 45 C9124-40021 Control panel bezel - Oval shaped plastic piece with cutouts for the control function keys (Turkish) - For the LaserJet 3300 only
- 46 C9124-40022 Control panel bezel - Oval shaped plastic piece with cutouts for the control function keys (Portuguese) - For the LaserJet 3300 only
- 47 C9124-40023 Control panel bezel - Oval shaped plastic piece with cutouts for the control function keys (French) - For the LaserJet 3300 only
- 48 C9124-40024 Control panel bezel - Oval shaped plastic piece with cutouts for the control function keys (German) - For the LaserJet 3300 only
- 49 C9124-40025 Control panel bezel - Oval shaped plastic piece with cutouts for the control function keys (Spanish) - For the LaserJet 3300 only

External Case Parts**Bezel**

50	C9124-40026	Control panel bezel - Oval shaped plastic piece with cutouts for the control function keys (Dutch) - For the LaserJet 3300 only
51	C9124-40027	Control panel bezel - Oval shaped plastic piece with cutouts for the control function keys (Norwegian) - For the LaserJet 3300 only
52	C9124-40028	Control panel bezel - Oval shaped plastic piece with cutouts for the control function keys (Swedish) - For the LaserJet 3300 only
53	C9124-40029	Control panel bezel - Oval shaped plastic piece with cutouts for the control function keys (Hebrew) - For the LaserJet 3300 only
54	C9124-40030	Control panel bezel - Oval shaped plastic piece with cutouts for the control function keys (Finnish) - For the LaserJet 3300 only
55	C9124-40031	Control panel bezel - Oval shaped plastic piece with cutouts for the control function keys (Danish) - For the LaserJet 3300 only
56	C9124-40032	Control panel bezel - Oval shaped plastic piece with cutouts for the control function keys (Italian) - For the LaserJet 3300 only
57	C9124-40033	Control panel bezel - Oval shaped plastic piece with cutouts for the control function keys (Russian) - For the LaserJet 3300 only
58	C9124-40034	Control panel bezel - Oval shaped plastic piece with cutouts for the control function keys (Czech) - For the LaserJet 3300 only
59	C9124-40035	Control panel bezel - Oval shaped plastic piece with cutouts for the control function keys (Hungarian) - For the LaserJet 3300 only
60	C9124-40036	Control panel bezel - Oval shaped plastic piece with cutouts for the control function keys (Polish) - For the LaserJet 3300 only
61	C9124-40037	Control panel bezel - Oval shaped plastic piece with cutouts for the control function keys (Arabic) - For the LaserJet 3300 only
62	C9124-40038	Control panel bezel - Oval shaped plastic piece with cutouts for the control function keys (English) - For the LaserJet 3300 only
63	C9124-40039	Control panel bezel - Oval shaped plastic piece with cutouts for the control function keys (Traditional Chinese) - For the LaserJet 3300 only

Cover

64	C9124-40002	Left scanner cover - Mounts on the left end of the scanner assembly - Covers the scanner formatter PC board
65	C9124-40003	Right scanner cover - Mounts on the right side of the scanner assembly
66	C9124-60117	Document Cover (or Lid) - Lift-up plastic lid that covers the scanner glass - Used with LaserJet models that did not come with an ADF assembly
67	RA0-1450-020CN	Front cover - Lower front of printer - With opening for inserting the paper input tray assembly
68	RF0-1100-000CN	Top cover assembly - Has face-down paper output tray molded into it - Mounts to top of printer - Provides mounting support for the scanner assembly
69	RG0-1114-000CN	Rear cover assembly - Includes rear cover and fold down face-up (or straight through) paper output tray (tray is NOT sold separately)
70	RG0-1116-000CN	Right side cover assembly - Has molded-in air intake louvers

Door

71	RG0-1113-000CN	Left side door assembly - Includes the left side door and hinge - Provides access to connect the printer interface cables
72	RG0-1115-040CN	Toner cartridge door - Fold down door used when accessing the toner cartridge - Mounts to the top of the front cover

Foot

73	RA0-1003-000CN	Rubber foot - Used for the rear feet on the bottom of printer - Mounts on the front bottom frame of the paper pick-up assembly (two used)
74	RA0-1197-000CN	Rubber foot - Used for the front feet on the bottom of the printer - Mounts on the bottom of the right and left side plate assemblies (two used)

External Case Parts**Nameplate/Logo**

75 7121-8043 Jewel - Rectangular silver plastic piece with the HP logo - Mounts to the toner cartridge door

Pan

76 RA0-1127-000CN Support pan (case) for the print engine controller board - Metal pan which also acts as part of the bottom of the printer

Screw

77 0515-4330 Pan head plastite screw with washer - M3.0 x 1.27, 9.1mm long, Number 2 Phillips - Used to secure the scanner side panels, the scanner formatter PC board assembly, the scanner ADF glass frame, and the control panel to the support chassis (10 used)

78 0515-4331 Pan head plastite screw with washer - M4.0 x 1.75, 13.1mm long, Number 2 Phillips - For securing the scanner to the printer (four used)

79 RY7-5082-000CN Screw kit - Includes nine bags of different size screws - This is a complete set of screws for the Printer portion of the LaserJet 3300 series printer

Support

80 C9124-40006 Support Chassis - Curved plastic piece that supports the control panel keypad - Mounts to the front of the scanner assembly

81 RA0-1470-000CN Support frame - Curved plastic support piece - Mounts on the bottom left side of the printer (below the left side door)

Fusing Assembly Parts**Bushing**

82 RA0-1104-000CN Roller bushing/retainer - Mounts on the right end of the face-up output roller and retains it in the fusing assembly

Fusing Assembly

83 RG9-1493-000CN Fusing assembly - Bonds toner to paper with heat (For 100V to 120V operation) - Mounts in the upper rear of the printer

84 RG9-1494-000CN Fusing assembly - Bonds toner to paper with heat (For 220V to 240V operation) - Mounts in the upper rear of the printer

Gear

85 RA0-1088-000CN 29 tooth gear - Mounts on the end of the pressure roller - Largest of the three gears on the fusing assembly

86 RA0-1089-000CN 17 tooth gear - Mounts on the end of the face-up output roller - Center gear of three gears on the fusing assembly

Roller

87 RF0-1003-000CN Face-up (straight through) output roller - Metal shaft with two rollers - Mounts in the fusing assembly behind the pressure roller

Roller Assembly

88 RG0-1010-000CN Output roller assembly - Includes face-down delivery roller, 4 spring-loaded pressure rollers, support frame, and drive gear - Delivers printed pages to the output tray on top of the printer - Mounts on the top rear of the fusing assembly

Sensor

89 RG0-1082-000CN Delivery sensor PC board - Small board with optical flag sensor (Flag not included) - For sensing paper output - Mounts on the bottom center of the fusing assembly

Other Accessories**Cartridge**

C7115-60101 Ultraprecise black toner cartridge - Will print approximately 2,500 pages - For CREW fulfillment

C7115A Ultraprecise black toner cartridge - Will print approximately 2,500 pages based on a 5% print density

C7115X Ultraprecise black toner cartridge - Will print approximately 3,500 pages based on a 5% print density

Cleaning Supplies

5090-3379 Toner cleaning cloth - Specially treated cloth for absorbing toner (1 per package) - Ideal for cleaning up toner spills

Manual

C9124-90948 LaserJet 33xx series MFP service manual - Printed version (English)

Other Internal Parts
Bracket

- 95 RA0-1446-000CN Left side fuser bracket (L-shaped) - Provides mounting support for the fusing assembly - Mounts to the upper rear corner of the left side plate
- 96 RA0-1447-000CN Right side fuser bracket (L-shaped) - Provides mounting support for the fusing assembly - Mounts to the upper rear corner of the right side plate

Clamp

- 97 WT2-5694-000CN Snap-in cable clamp - Secures the drive motor cable from the controller PC board to the metal support pan

Gear

- 98 RA0-1176-000CN 69 tooth gear - Large gear with ribs and six small holes - Mounts on on a rod in the upper rear corner of the right side plate

Gear Assembly

- 99 RA0-1172-000CN 17 tooth gear assembly - Includes the 17 tooth gear mounted on a black plastic bracket - Mounts to the right side plate assembly
- 100 RG0-1020-000CN Gear/clutch assembly (Solenoid activated) - Includes the two gear bodies and internal spring - Drives the pickup roller in the paper pickup assembly

Guide

- 101 RA0-1181-000CN Guide - For the shutter lever on the laser/scanner assembly - Mounts on the metal support bracket for the laser/scanner assembly
- 102 RA0-1451-000CN Front guide assembly - Ribbed plastic piece that runs the width of the printer - Mounts to the front of the left and right side plates

Lever

- 103 RA0-1182-000CN Shutter lever - Spring loaded lever - Mounts to the top of the laser/scanner assembly

Link

- 104 RA0-1457-000CN Connecting link - Connects between the sliding linkage on the left and right side plates and the toner cartridge access door (two used)

Motor

- 105 RH7-1473-000CN Stepper motor assembly - Drives all rollers and fusing assembly via the gear train on the right side plate - Mounts on the inside rear of the right side plate

Plate

- 106 RG0-1001-040CN Right side plate assembly - Includes the right side plate, drive motor, most all drive gears, and cam levers - Does not come with the pick-up roller solenoid or 69 tooth gear - Right side of the internal printer mechanism
- 107 RG0-1002-060CN Left plate assembly - Left side of internal printer mechanism - Plate that the formatter PC board mounts to

Screw

- 108 0515-2908 Pan head machine screw with washer - M3.0 x 0.5, 6mm long, Number 2 Phillips - Used to Mount the printer formatter board and shield to the left side plate (five used)

Shield

- 109 C9124-00003 RFI shield - Metal plate that covers the formatter PC board - Mounts on the left side plate

Spacer

- 110 RA0-1128-000CN Printed circuit board spacer - Mounts between the print engine control board and the metal support pan (six used)

Spring

- 111 RA0-1169-000CN Compression spring - Provides tension for the shutter lever - Mounts between the shutter lever and the laser/scanner assembly
- 112 RA0-1212-000CN Tension spring - Provides tension for lever - Mounts on the lower front on the right side plate

Support

- 113 RA0-1173-000CN Mounting support - Metal piece that supports the paper pick-up solenoid (SL001) - Mounts on the right side plate
- 114 RA0-1444-000CN Front cover support (L-shaped) - Mounts on the upper left corner of the left side plate
- 115 RA0-1452-000CN Front cover support (L-shaped) - Mounts on the upper right corner of the right side plate

Paper Path Parts**Fusing Assembly**

- 116 RG9-1493-000CN Fusing assembly - Bonds toner to paper with heat (For 100V to 120V operation) - Mounts in the upper rear of the printer
- 117 RG9-1494-000CN Fusing assembly - Bonds toner to paper with heat (For 220V to 240V operation) - Mounts in the upper rear of the printer

Laser/Scanner

- 118 RG9-1486-000CN Laser/scanner assembly - Mounts on top of the print structure frame

Paper Pick-Up

- 119 RG0-1120-000CN Paper pick-up assembly - Includes the pick-up roller, paper feed roller assembly, separation pad, plastic housing and other associated parts - Mounts in the bottom of the printer

Roller

- 120 RF0-1008-000CN Paper Pick-up Roller ('D' shaped roller) - Picks up media from the paper input tray - Clips in the holder on the paper pick-up shaft
RL1-0303-000CN New Part for RF0-1008-000CN
- 121 RG9-1483-000CN Transfer roller assembly - Transfers static charge to the media being printed on - Mounts in the top rear of the paper pick-up assembly

Paper Pick-Up Assy Parts**Foot**

- 122 RA0-1003-000CN Rubber foot - Used for the rear feet on the bottom of printer - Mounts on the front bottom frame of the paper pick-up assembly (two used)

Gear Assembly

- 123 RY7-5081-000CN Gear/clutch assembly kit - Includes 19-tooth/31-tooth double-gear body, ratcheted shaft piece and spring - For driving the paper feed roller shaft in the paper pickup assembly

Ground Plane

- 124 RA0-1072-000CN Grounding Plate - L-shaped, spring steel - Mounts on the left end of the paper pickup assembly

Pad

- 125 RF0-1014-000CN Separation pad assembly - Mounts on a spring loaded arm in the paper pick-up assembly

Paper Pick-Up

- 126 RG0-1120-000CN Paper pick-up assembly - Includes the pick-up roller, paper feed roller assembly, separation pad, plastic housing and other associated parts - Mounts in the bottom of the printer

Plate

- 127 RG0-1124-000CN Paper lift plate assembly (Priority input tray) - Plastic plate assembly that includes the two blue paper width adjusters - Mounts to the top front of the paper pick-up assembly

Roller/Holder

- 128 RG0-1005-000CN Paper feed roller assembly - Includes feed roller, feed roller base assembly, retainer bushings, paper input leading edge sensor, sensor flag and spring - Mounts on the bottom of the paper pick-up assembly

Sensor

- 129 RG0-1072-000CN Paper sensor PC board - Small board with optical flag sensor (Flag not included) - For sensing leading edge of paper - Mounts on the paper feed assembly in the paper pick-up assembly

Shaft

- 130 RG0-1007-000CN Paper pick-up shaft assembly - Includes the shaft, the two cams, pick-up roller holder, and end cap - Mounts in the paper pick-up assembly
RG0-1007-020CN New Part for RG0-1007-000CN

Spring

- 131 RA0-1035-000CN Torsion spring - Provides high voltage connection to the toner cartridge (developing cylinder) - Mounts between the paper pickup roller and the transfer roller on the left side of the paper pickup assembly
- 132 RA0-1200-000CN Torsion spring - Provides high voltage connection to the toner cartridge (primary charging roller) - Mounts behind the transfer roller on the left side of the paper pickup assembly

Paper Tray Parts**Cover**

- 133 RG0-1122-000CN Paper tray cover assembly - Includes clear plastic cover with blue width adjustment guides for 'priority' paper input - Covers the LaserJet paper input tray

Tray

- 134 RG0-1121-000CN Printer input paper tray assembly - Includes bottom tray, blue paper length adjustment lever, and extension arm (also includes the paper tray cover)

Paper/Transparency/Labels**Film (Transparency)**

- 92296T LaserJet printer transparency film - A size (8.5 x 11-inches) - 50 sheets per box
92296U LaserJet printer transparency film - A4 size (21.0cm x 29.7cm) - 50 sheets per box

Labels

- Q2550A White full-sheet labels - A size (8.5 x 11-inches) - 25 sheets
Q2551A White full-sheet labels - A size (8.5 x 11-inches) - 100 sheets
Q2587A White labels - 2.54cm (1in) x 6.67cm (2.63in) labels - 25 sheets
Q2588A White labels - 2.54cm (1in) x 6.67cm (2.63in) labels - 100 sheets
Q2589A White address labels - 3.39cm (1.33in) x 10.2cm (4in) labels - 25 sheets
Q2590A White address labels - 3.39cm (1.33in) x 10.2cm (4in) labels - 100 sheets
Q2591A White shipping labels - 5.08cm (2in) x 10.2cm (4in) labels - 25 sheets
Q2592A White shipping labels - 5.08cm (2in) x 10.2cm (4in) labels - 100 sheets
Q2593A White address labels - 1.27cm (0.5in) x 4.45cm (1.75in) labels - 25 sheets
Q2594A White address labels - 8.47cm (3.33in) x 10.2cm (4in) labels - 100 sheets

Paper (Glossy)

- Q2415A Soft gloss LaserJet paper - Soft gloss finish on both sides, 95 brightness - A size (8.5 x 11-inches) - 500 sheets per box
Q2417A Soft gloss LaserJet paper - Soft gloss finish on both sides, 95 brightness - A4 size (21.0cm x 29.7cm) - 250 sheets per box
Q2419A High gloss LaserJet paper - High gloss finish on both sides, 95 brightness - A size (8.5 x 11-inches) - 200 sheets per box
Q2421A High gloss LaserJet paper - High gloss finish on both sides, 95 brightness - A4 size (21.0cm x 29.7cm) - 200 sheets per box

Scanner Assembly Parts**Cover**

- 151 C9124-40002 Left scanner cover - Mounts on the left end of the scanner assembly - Covers the scanner formatter PC board
152 C9124-40003 Right scanner cover - Mounts on the right side of the scanner assembly
153 C9124-60117 Document Cover (or Lid) - Lift-up plastic lid that covers the scanner glass - Used with LaserJet models that did not come with an ADF assembly

Glass Assembly

- 154 C7296-00014 ADF glass window - Small glass window that mounts on the left end of the flatbed scanner assembly - Stationary window for the moving document fed from the ADF assembly

PC Board

- C8066-60002 Scanner Formatter PC board assembly - Includes the PC board and interconnecting flex cable - Mounts to the left end of the scanner assembly - When upgrading to the new scanner board also order the RFI shield

Retainer

- 156 C9124-40005 Retainer frame (U-shaped) - Retains the small piece of glass that is used with the ADF assembly - Mounts on the left end of the scanner assembly

Scanner

- 157 C9124-60103 Flatbed scanner assembly - Mounts to the top of the printer

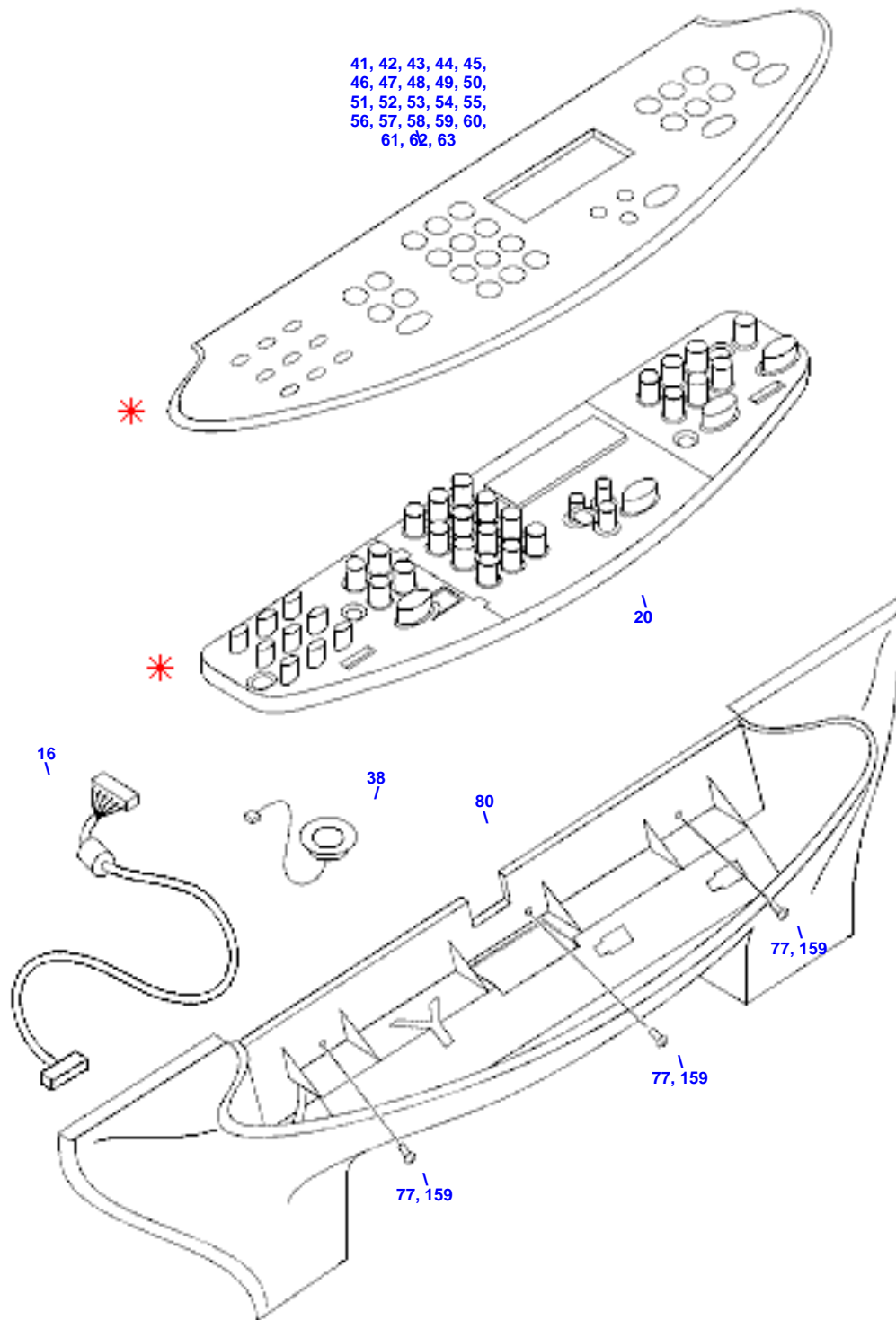
Scanner Assembly Parts**Screw**

158	0515-4257	Pan head taptite screw with washer - M3.0 x 0.5, 6mm long, Number 2 Phillips - The single black screw (of the three screws) that secure the scanner formatter PC board assembly to the scanner case
159	0515-4330	Pan head plastite screw with washer - M3.0 x 1.27, 9.1mm long, Number 2 Phillips - Used to secure the scanner side panels, the scanner formatter PC board assembly, the scanner ADF glass frame, and the control panel to the support chassis (10 used)
160	0515-4331	Pan head plastite screw with washer - M4.0 x 1.75, 13.1mm long, Number 2 Phillips - For securing the scanner to the printer (four used)

Shield

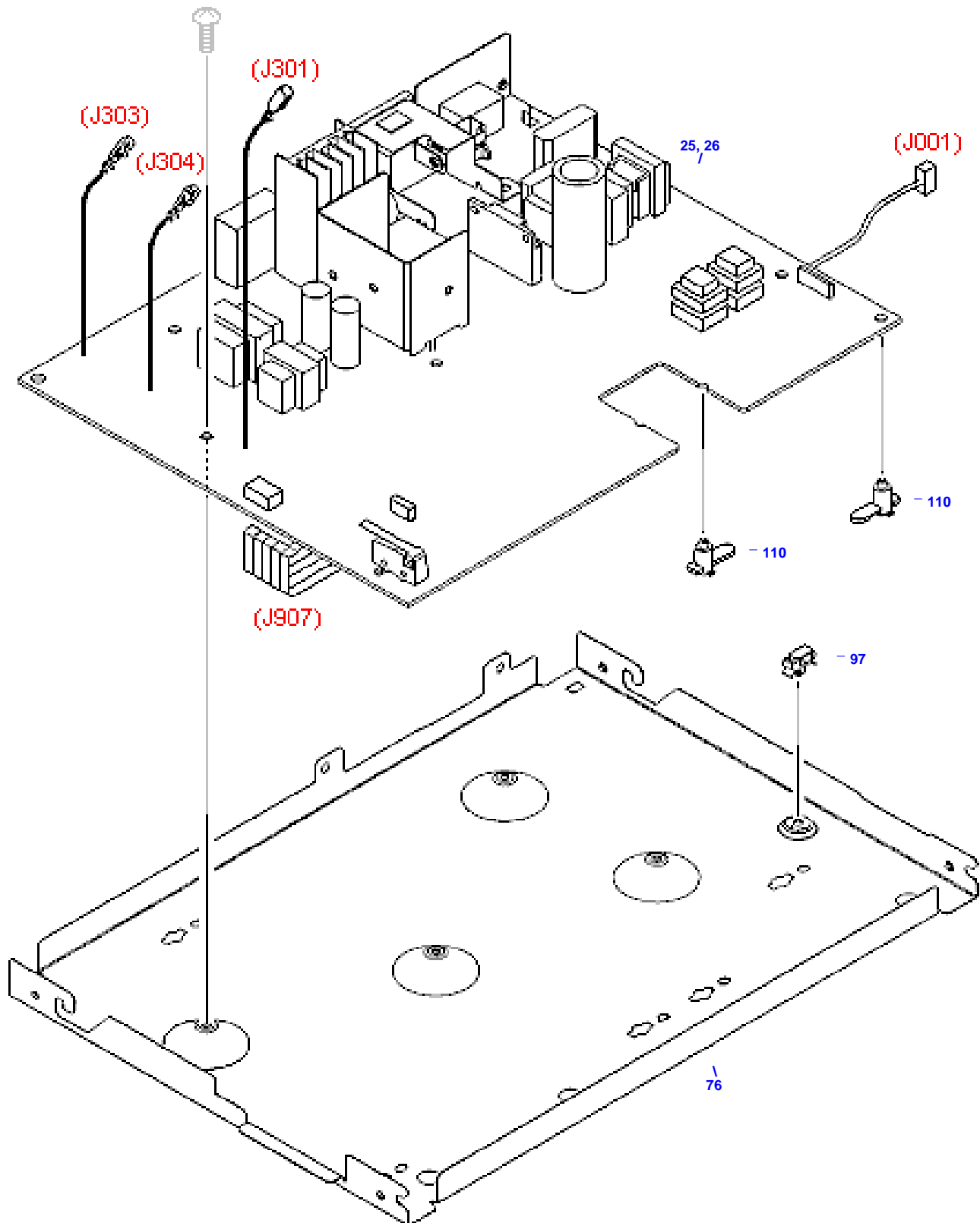
C9124-00002	RFI shield for the scanner controller PC board assembly
-------------	---

Control Panel Assembly

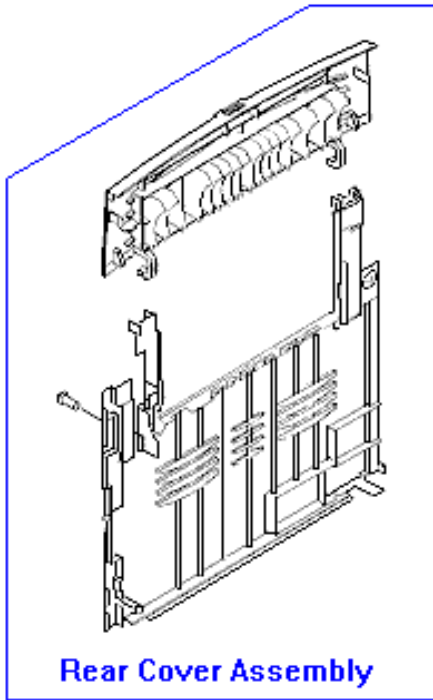


*** Note: The Control Panel Bezel and Keypad Assembly may differ in appearance from what is shown above as it is model dependant.**

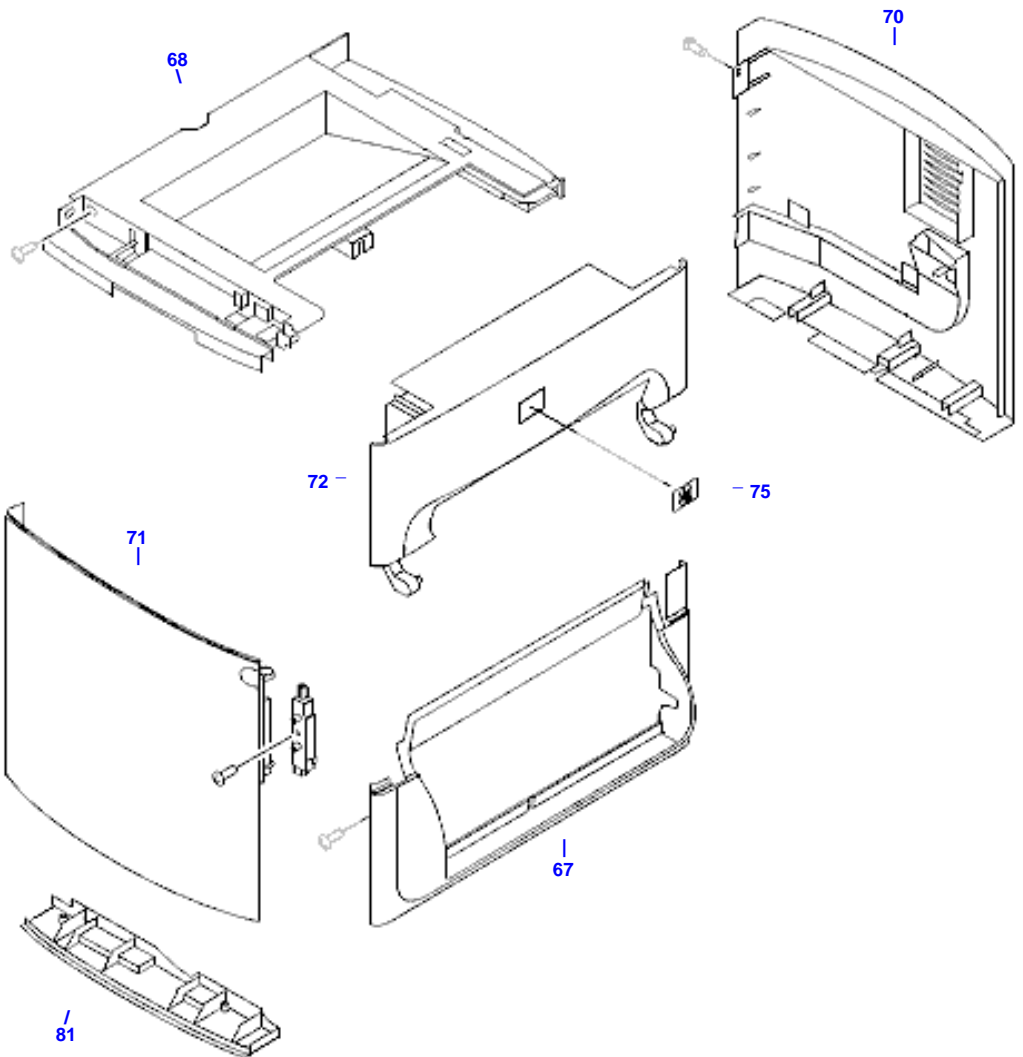
Engine Controller PC Board Assembly



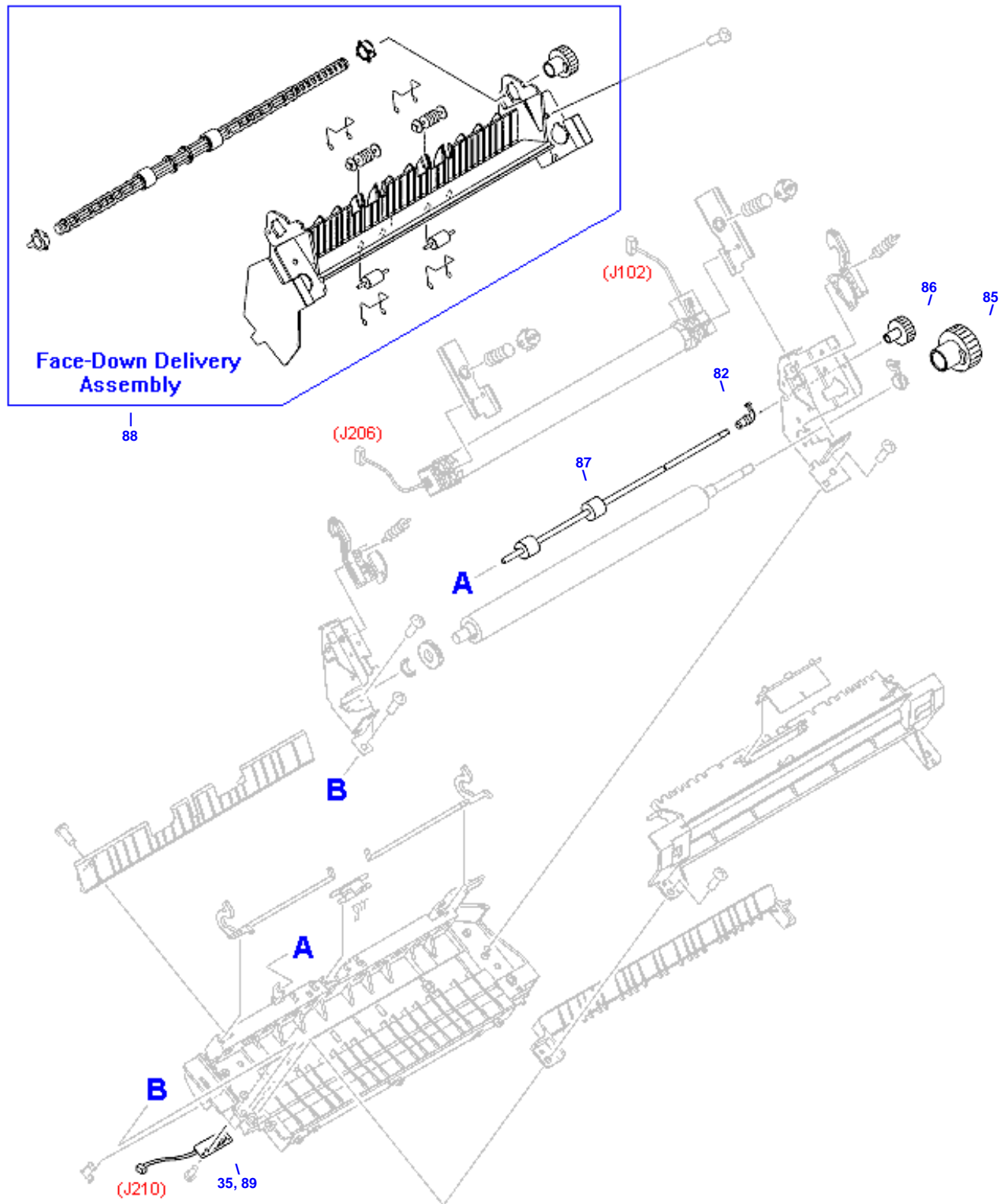
External Printer Covers



69



Fusing Assembly

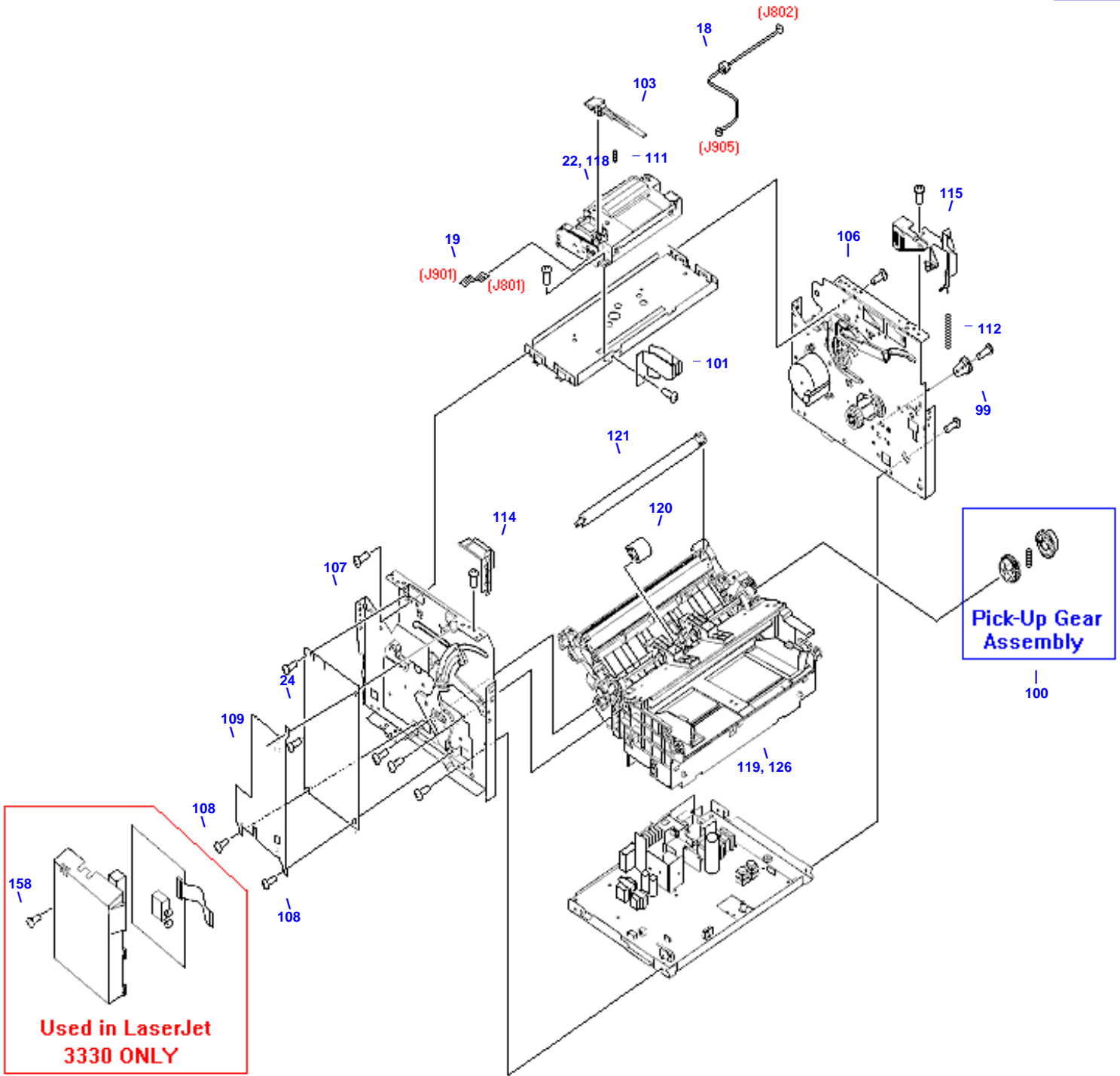
 **Fusing Assembly** - 83, 84, 116, 117



invent

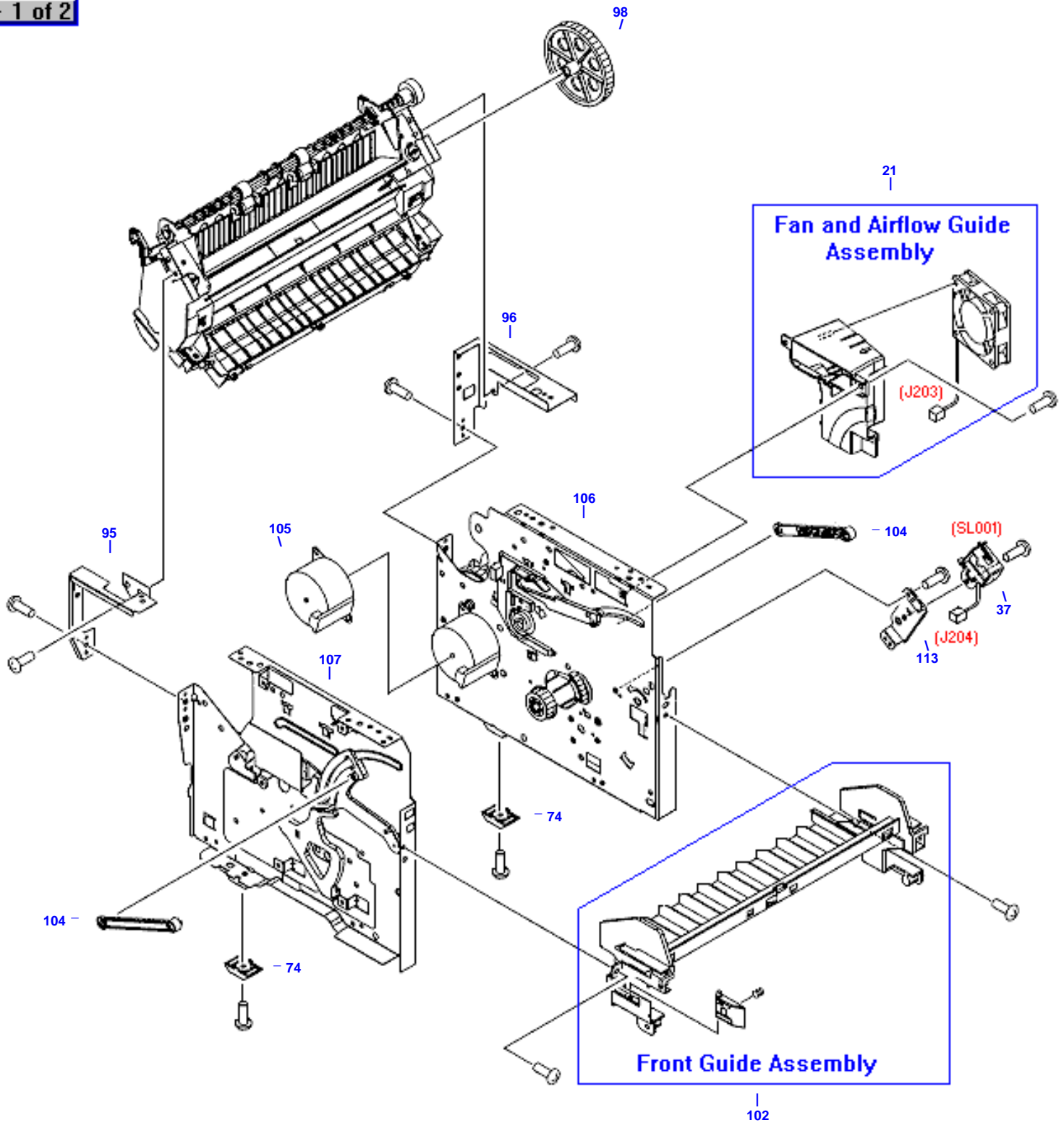
Internal Components (1 of 2)

2 of 2 →

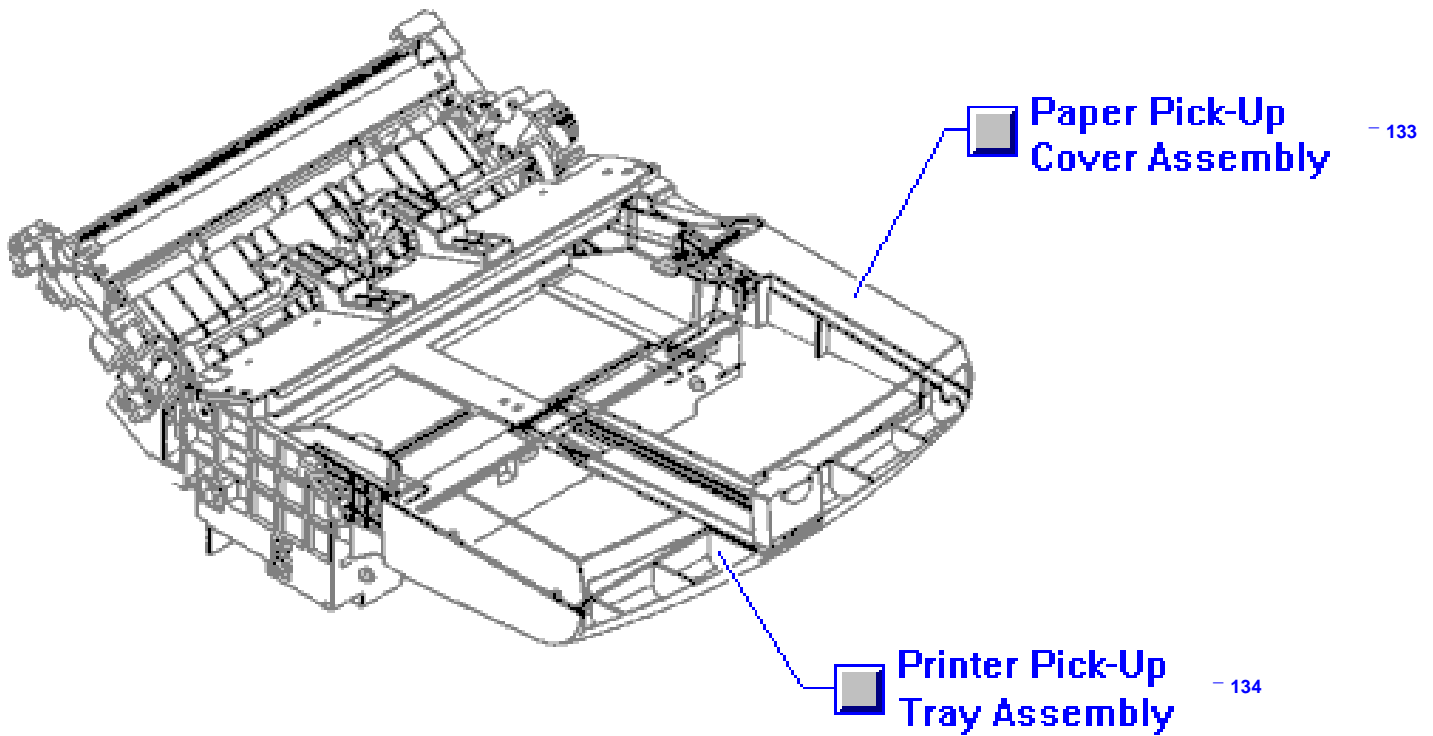


Internal Components (2 of 2)

← 1 of 2



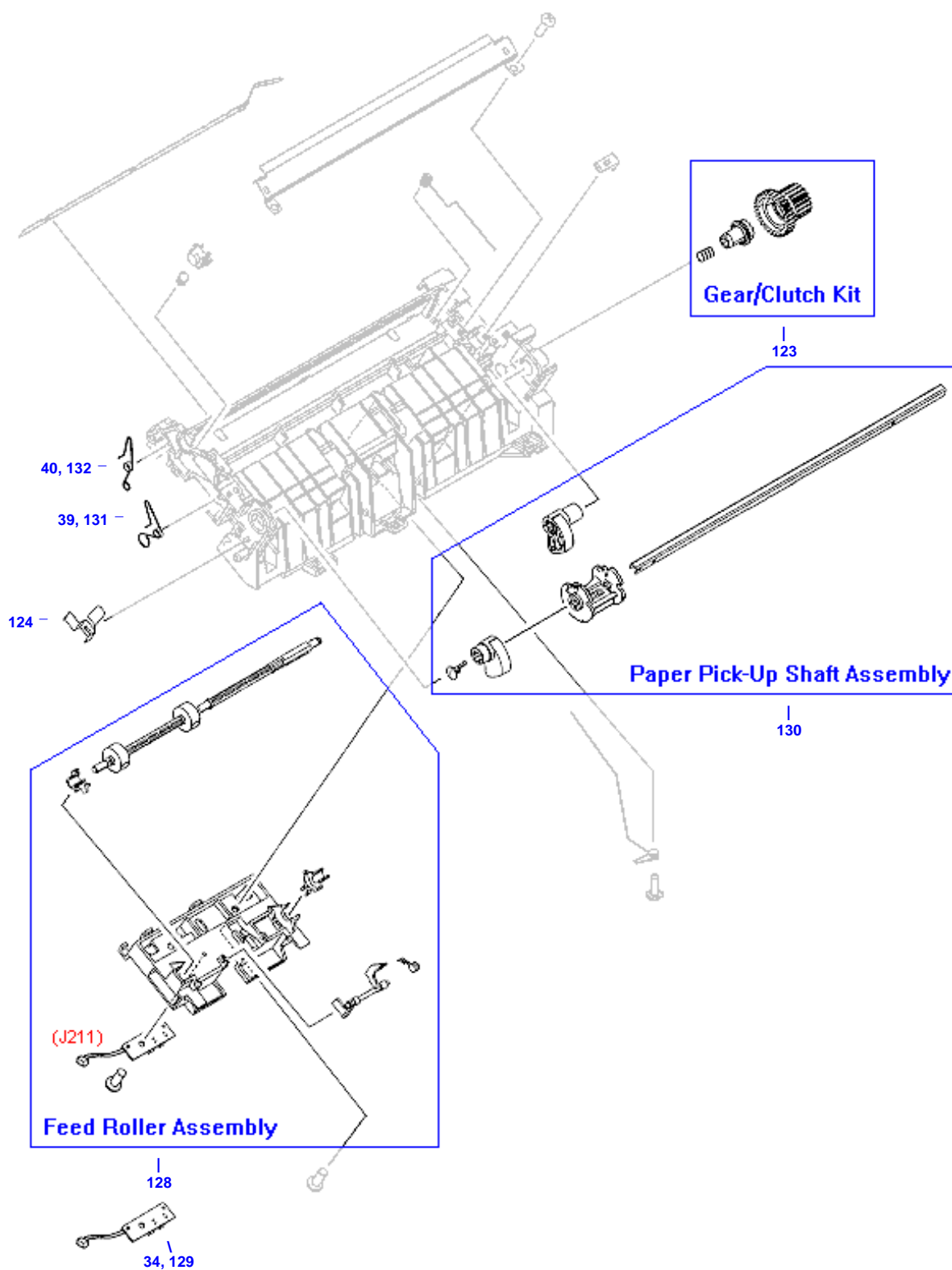
Paper Input Tray



Paper Pick-Up Assembly (1 of 2)

Paper Pick-Up Assembly - 119, 126

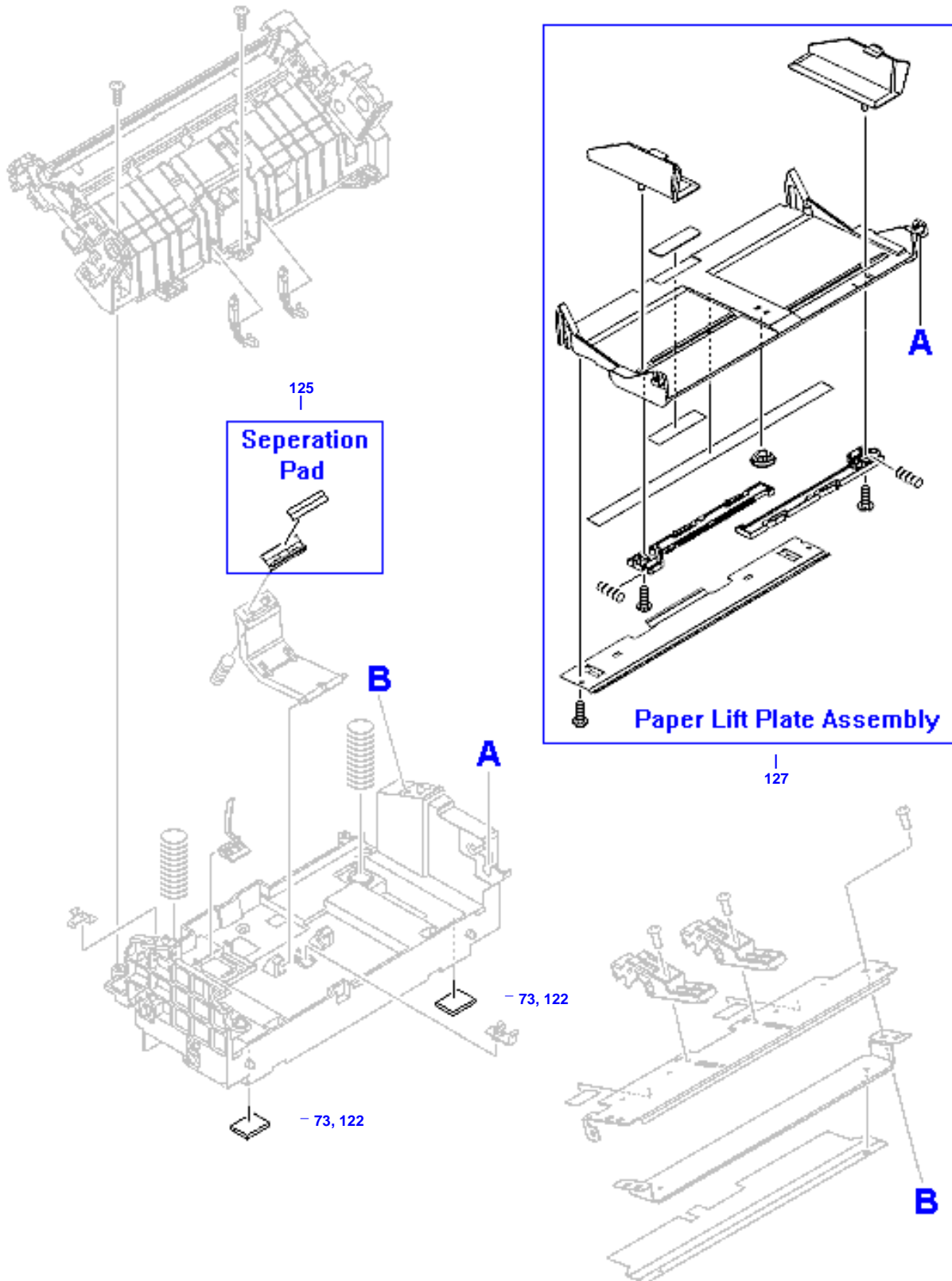
2 of 2 →



Paper Pick-Up Assembly (2 of 2)

← 1 of 2

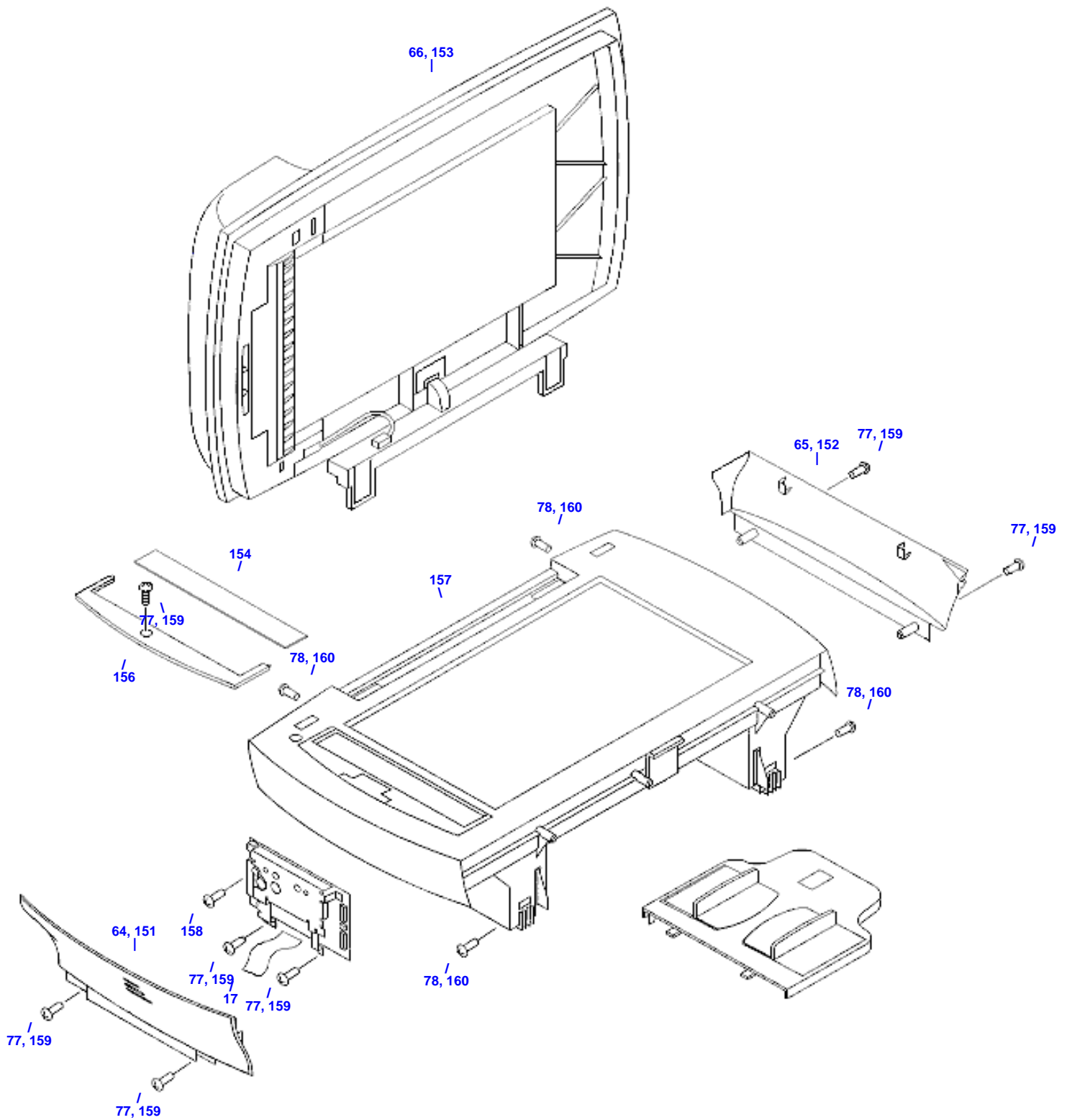
Paper Pick-Up Assembly - 119, 126



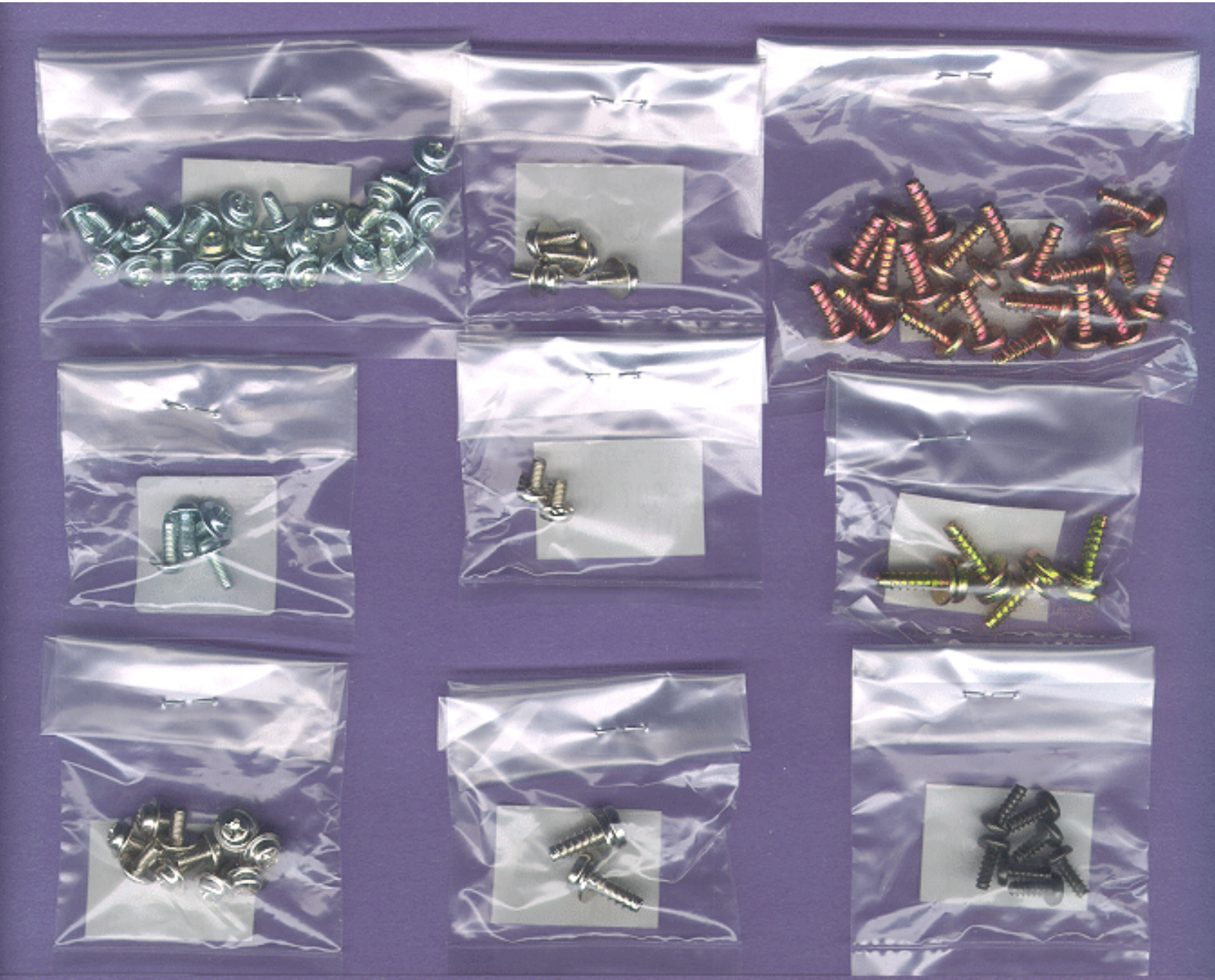


invent

Scanner and ADF Assemblies



Screw Kit



 LaserJet 1000/1200 Screw Kit - 79



HP Parts Reference Guide

<http://www.hp.com/go/parts>

HP PartSurfer

<http://partsurfer.hp.com>

HP Parts Ordering Information

<http://www.hp.com/go/hpparts>

HP Parts Questions/Comments

<http://partsurfer.hp.com/contactus.htm>