

Consumables and accessories

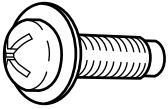
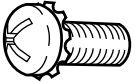
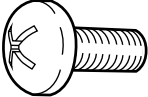
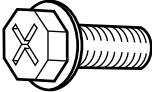
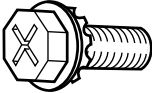
Table 19. Consumables and accessories

Item	Product number	Description
Toner cartridge	C3906A	Replacement toner cartridge
Parallel cable (IEEE-1284)	C2945A	2 meter, A to C



Common hardware

Table 20. Common fasteners

Example	Description
	Screw, machine, truss head
	Screw, star
	Screw, self-tapping
	Screw, hex-head
	Screw, hex-head, star

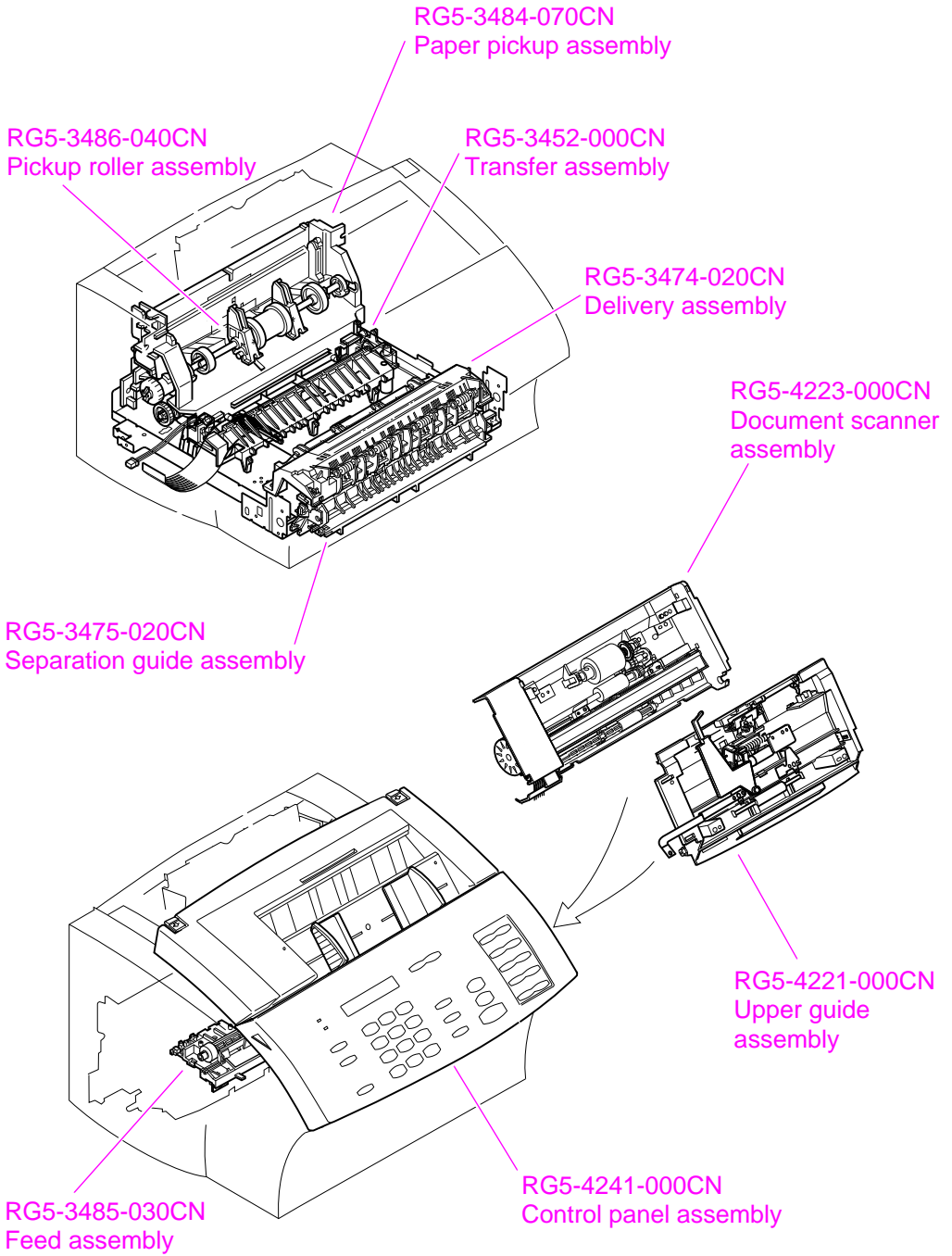


Figure 84. Major assembly locations

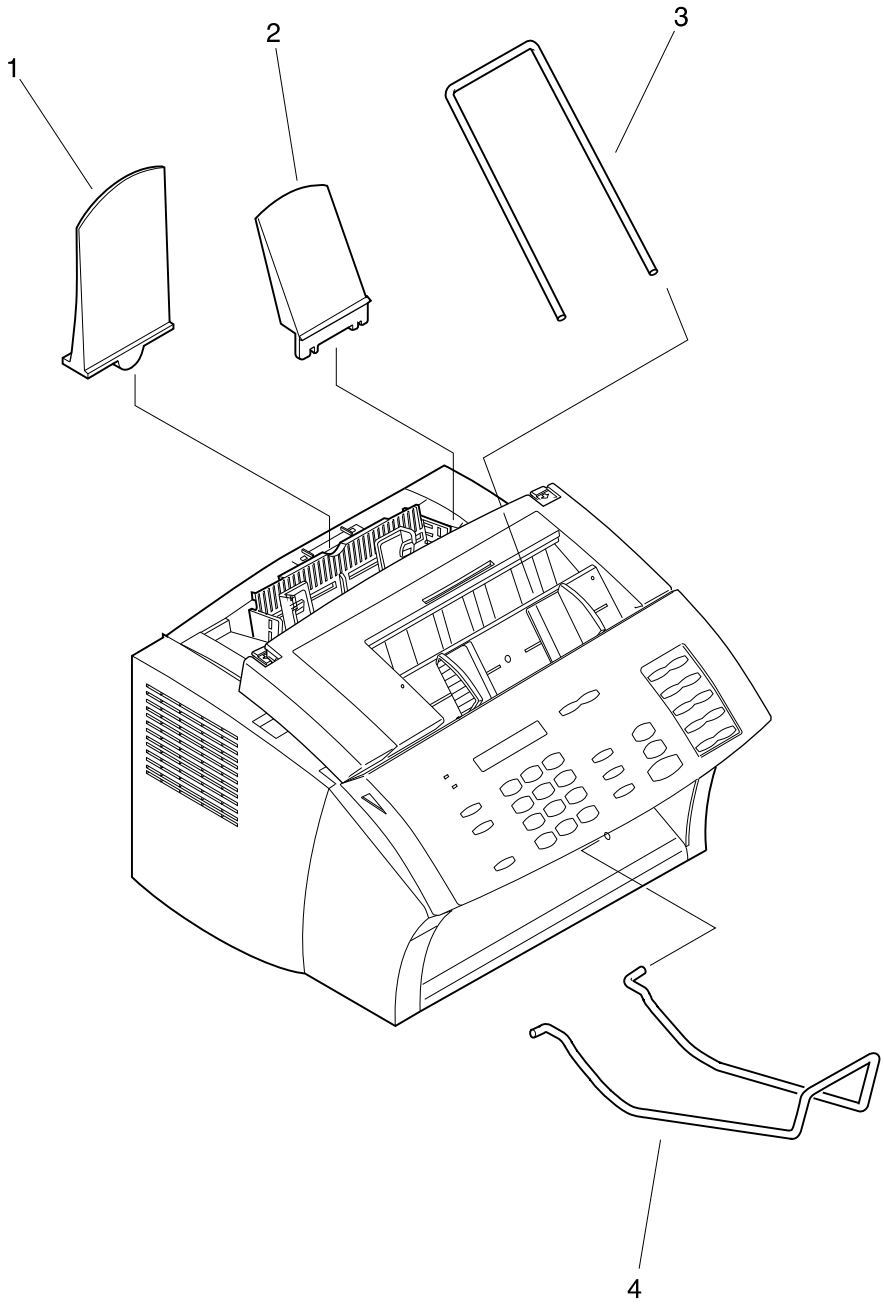


Figure 85. Supports

Table 21. Supports

Reference	Part number	Description
1	RB2-3362-000CN	Paper input support
2	RB2-3410-000CN	Paper output support
3	RB2-3455-000CN	Document feeder support
4	RB2-3470-000CN	Document output support

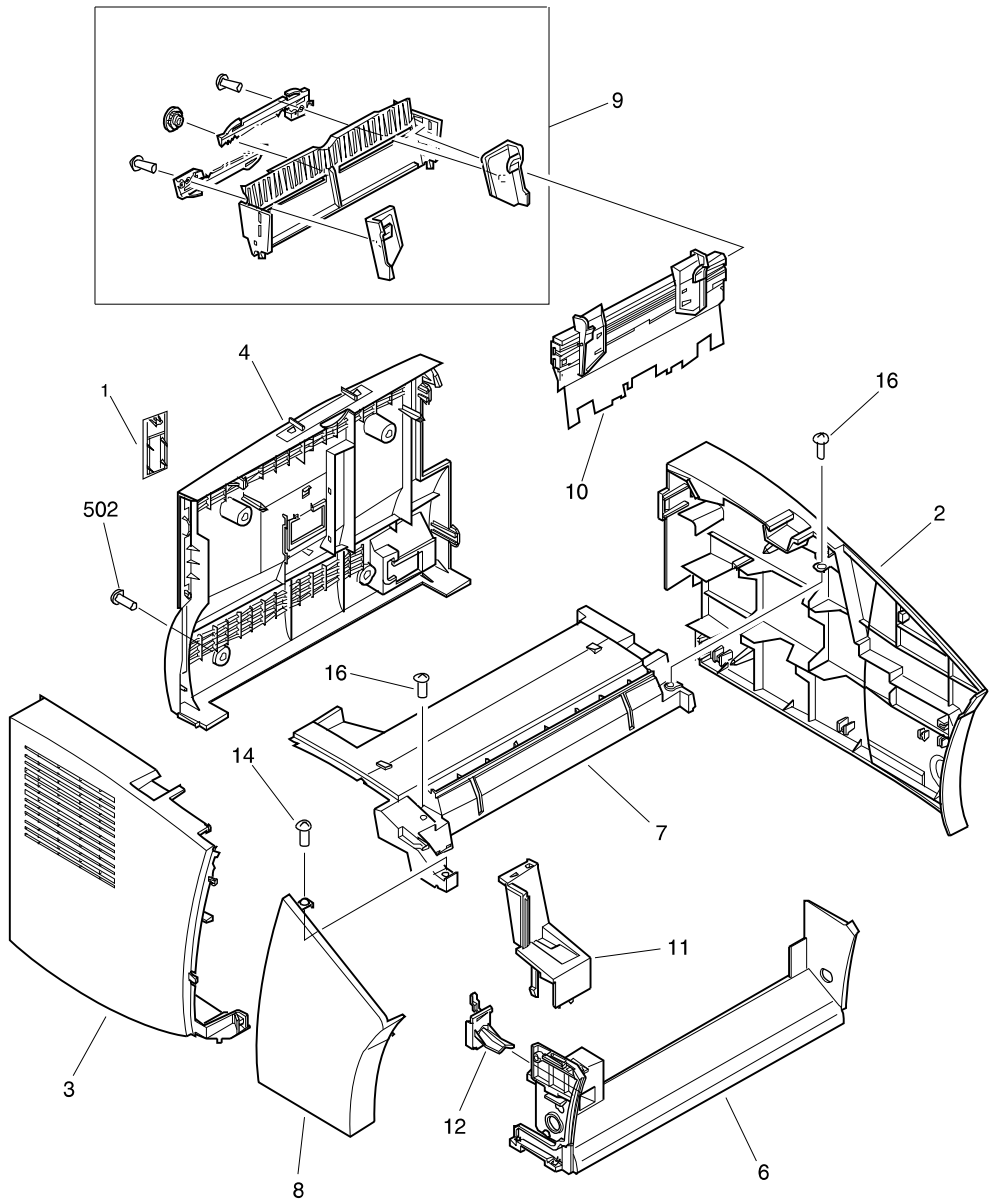


Figure 86. External covers and panels

Table 22. External covers and panels

Reference	Part number	Description
1	C3948-40010	I/O bezel
2	RB2-3341-000CN	Right cover
3	RB2-3360-000CN	Left cover
4	RB2-3361-000CN	Rear cover
6	RB2-3349-000CN	Front casing
7	RB2-3450-000CN	Top cover
8	RB2-3451-000CN	Left front cover
9	RG5-3488-000CN	Input bin assembly
10	RG5-4763-000CN	Single-sheet input slot assembly
11	RB2-3452-000CN	Pressure release lever cover
12	RB2-3453-000CN	Paper path lever
14	XA9-0476-000CN	Screw, TP, M3X8
16	XA9-0724-000CN	Screw, M3X8 (2)
502	XA9-0497-000CN	Screw, M4X6 (4)

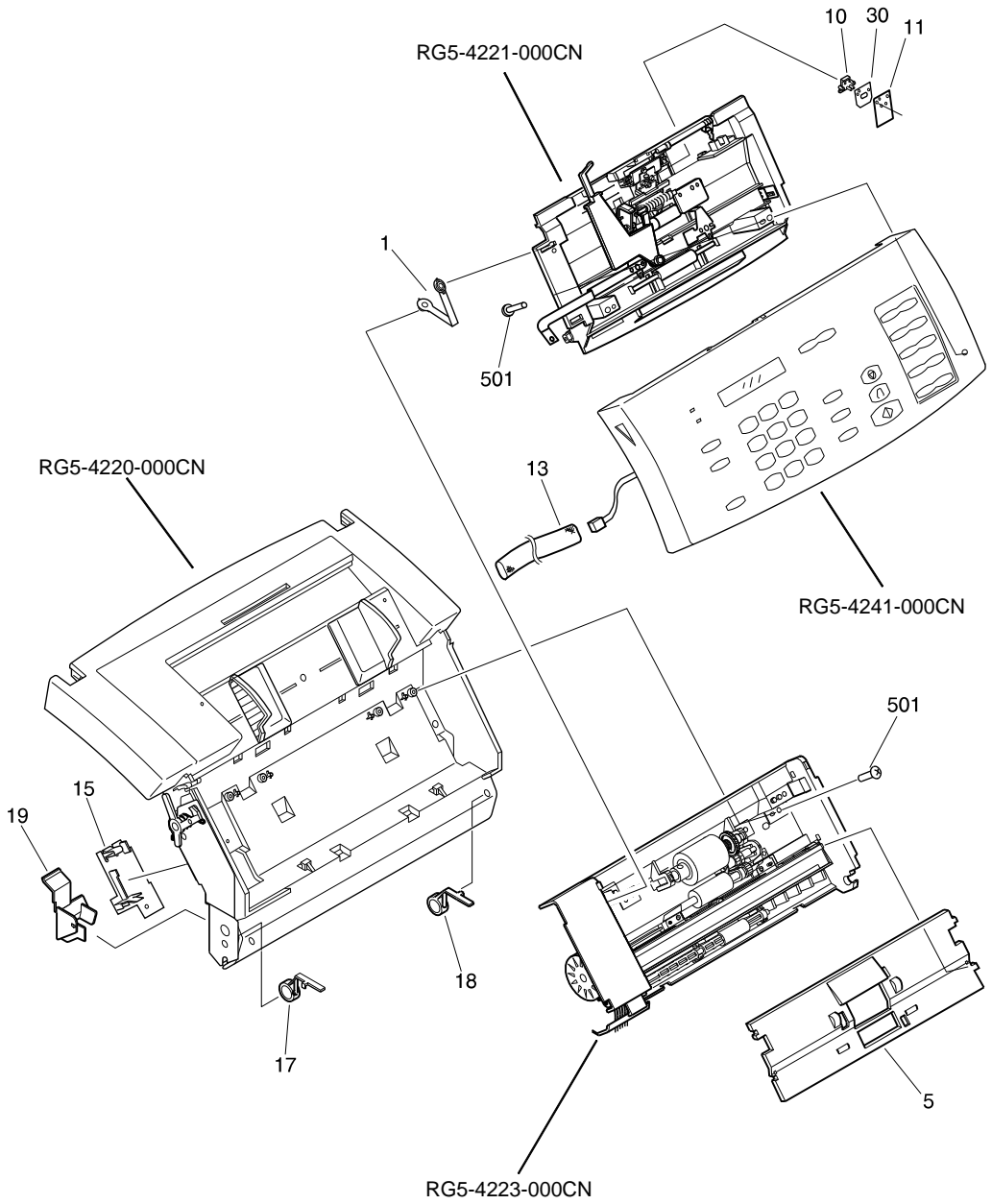


Figure 87. Printer door (1 of 2)

Table 23. Printer door (1 of 2)

Reference	Part number	Description
	RG5-4220-000CN	Printer door assembly
	RG5-4221-000CN	Upper guide assembly
	RG5-4223-000CN	Document scanner assembly
	RG5-4241-000CN	Control panel assembly
1	HB1-2867-000CN	Strap
5	RB2-3436-000CN	Document scanner guide
10	HB1-2895-000CN	Cover, arm
11	RB2-3430-000CN	Document scanner separation pad
13	RB2-3351-000CN	Cable tube
15	RB2-3454-000CN	Spacer
17	RB2-3468-000CN	Left hinge cover
18	RB2-3469-000CN	Right hinge cover
19	RB2-3409-000CN	Cable guide
30	RB2-4114-000CN	Sheet, pad
501	XB4-7300-807CN	Screw, tapping, truss head, M3X8 (7)

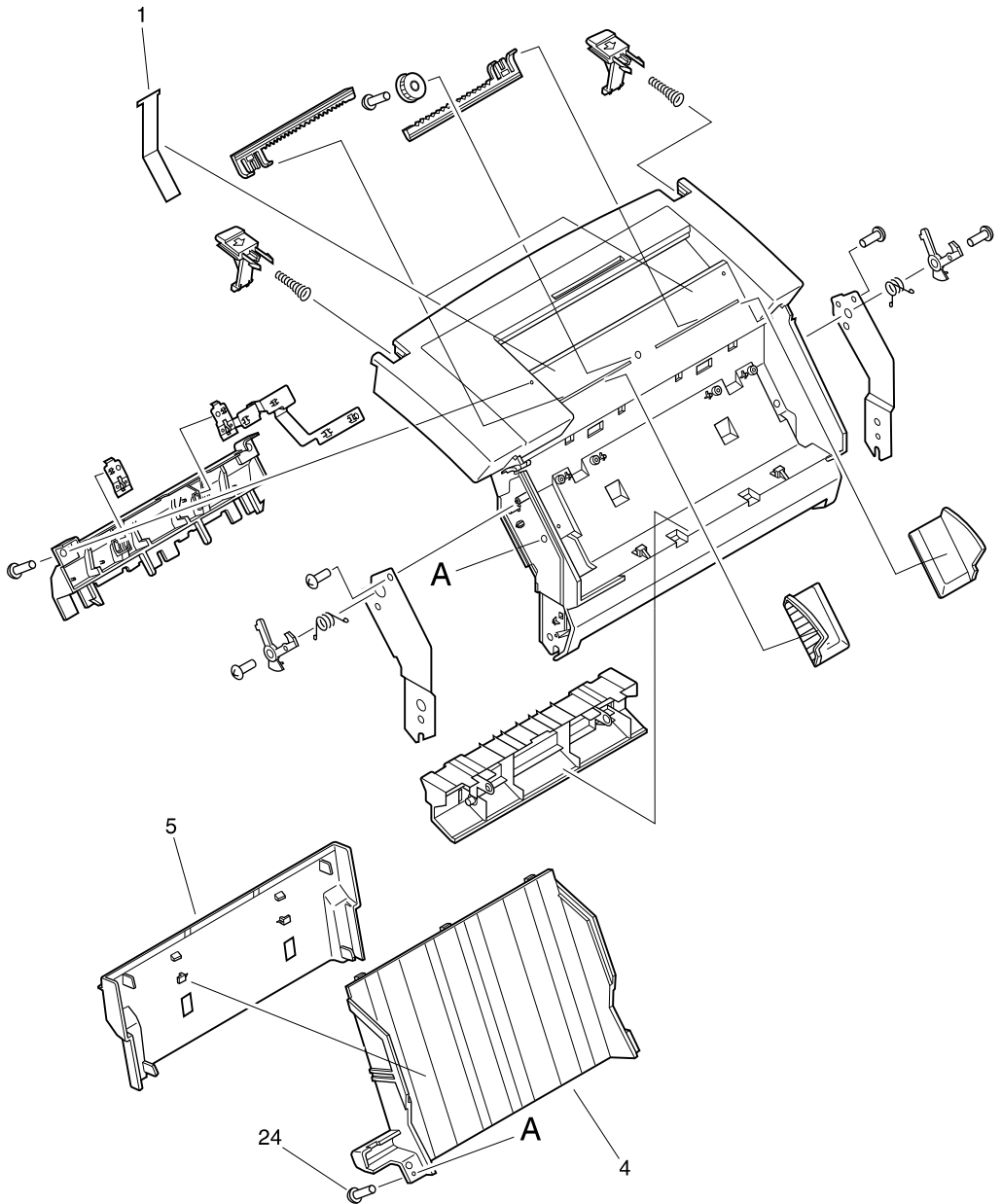


Figure 88. Printer door (2 of 2)

Table 24. Printer door (2 of 2)

Reference	Part number	Description
	RG5-4220-000CN	Printer door assembly
1	RB2-3365-000CN	Sheet, arching (2)
4	RB2-3401-000CN	Duct, 1
5	RB2-3402-000CN	Duct, 2
24	XA9-0614-000CN	Screw, M3X8 (4)

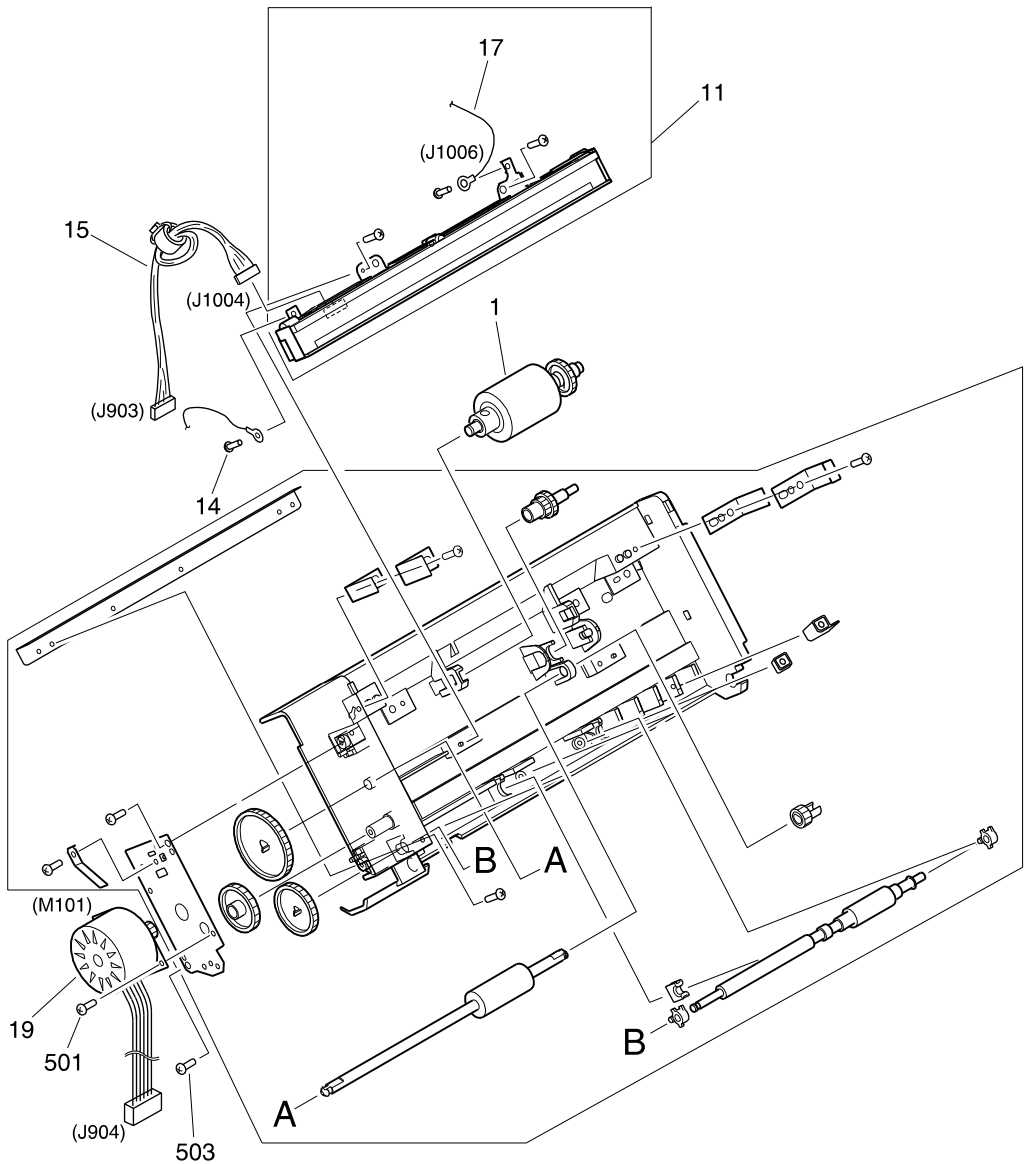


Figure 89. Document scanner assembly

Table 25. Document scanner assembly

Reference	Part number	Description
	RG5-4223-000CN	Document scanner assembly
1	RG5-4688-000CN	Pickup roller assembly, document scanner
11	RG5-4239-000CN	Contact image sensor assembly
14	FA9-1449-000CN	Screw
15	RG5-4233-000CN	Cable, contact image sensor (J1004 to J903)
17	RG5-4238-000CN	Cable, CIS grounding
19	RH7-1376-000CN	Motor, AC 1.08W
503	XB4-7300-807CN	Screw, M3X8

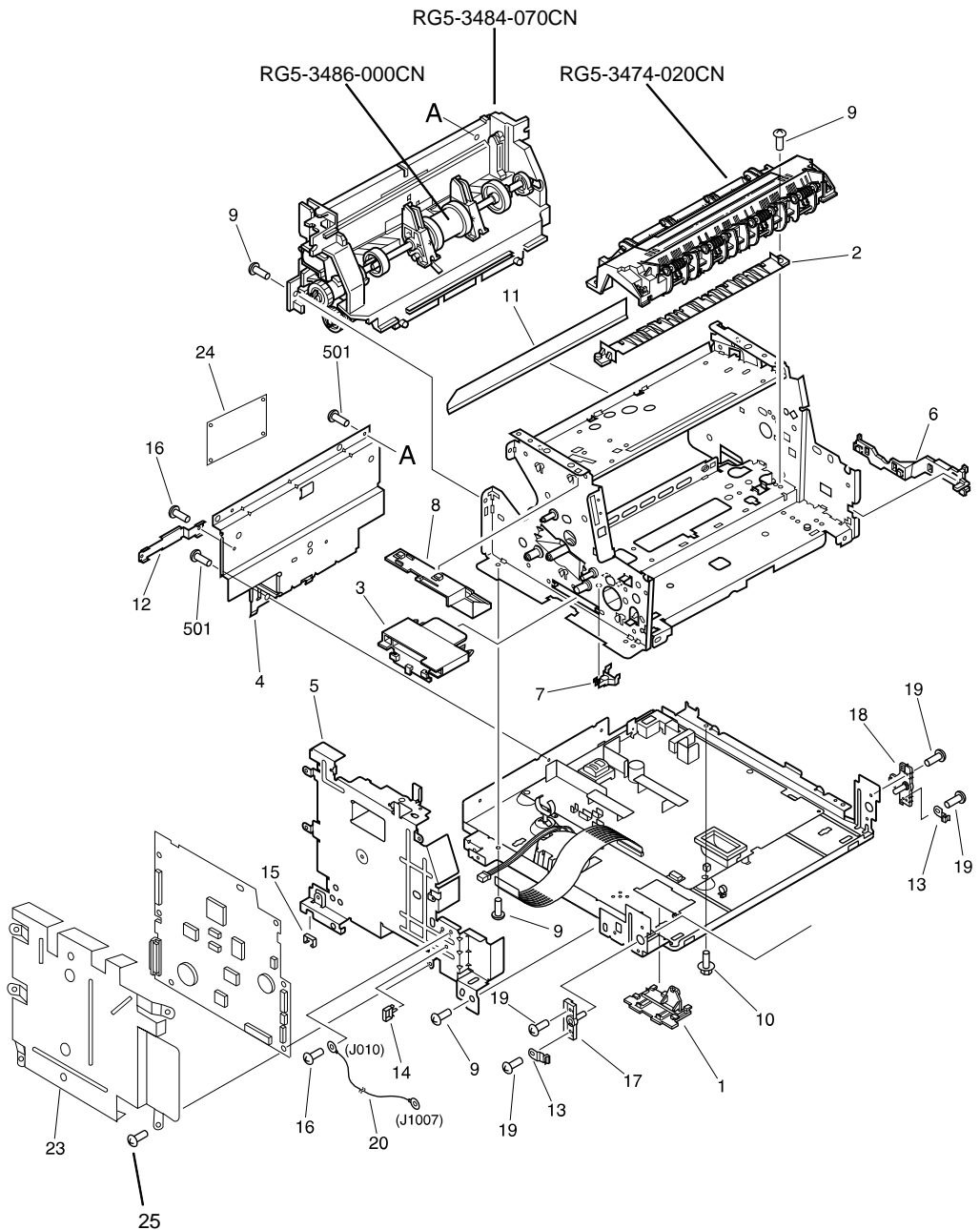


Figure 90. Internal components (1 of 3)

Table 26. Internal components (1 of 3)

Reference	Part number	Description
	RG5-3484-070CN	Paper pickup assembly
	RG5-3486-000CN	Pickup roller assembly
	RG5-3474-020CN	Delivery assembly
1	RB2-3345-000CN	Cap
2	RB1-7247-000CN	Paper guide
3	RB2-3350-000CN	Cable guide, formatter
4	RF5-2664-000CN	Reinforcement plate
5	RB2-3364-000CN	Metal plate
6	RB1-7130-020CN	Cable guide
7	RB1-7234-000CN	Cap
8	RB2-3366-000CN	Cable guide holder, formatter
9	XA9-0724-000CN	Screw M3X8 (11)
10	XA9-0855-000CN	Screw, RS, with washer, M3X8
11	RB1-7176-000CN	Guide sheet
12	RB2-4118-000CN	Grounding plate
13	RB2-3467-000CN	Grounding plate (2)
14	WT2-0317-000CN	Cable guide, control panel
15	WT2-5498-000CN	Cable guide, frame
16	RB2-3409-000CN	Cable mount
17	RB2-3465-000CN	Left hinge holder
18	RB2-3466-000CN	Right hinge holder
19	XA9-0434-000CN	Screw, TP, M3X4 (4)
20	RG5-4237-000CN	Cable, grounding, document scanner motor
21	FA9-1449-000CN	Screw, truss head, with washer (4)
22	C3949-67901	Formatter
23	C3948-00002	RFI shield
24	C3948-67903	LIU board (U.S.)
24	C3948-67904	LIU board (worldwide)
25	0515-2672	Screw, M3X6 (9)
501	XB4-7400-807CN	Screw, tapping, truss head, M4X8 (3)

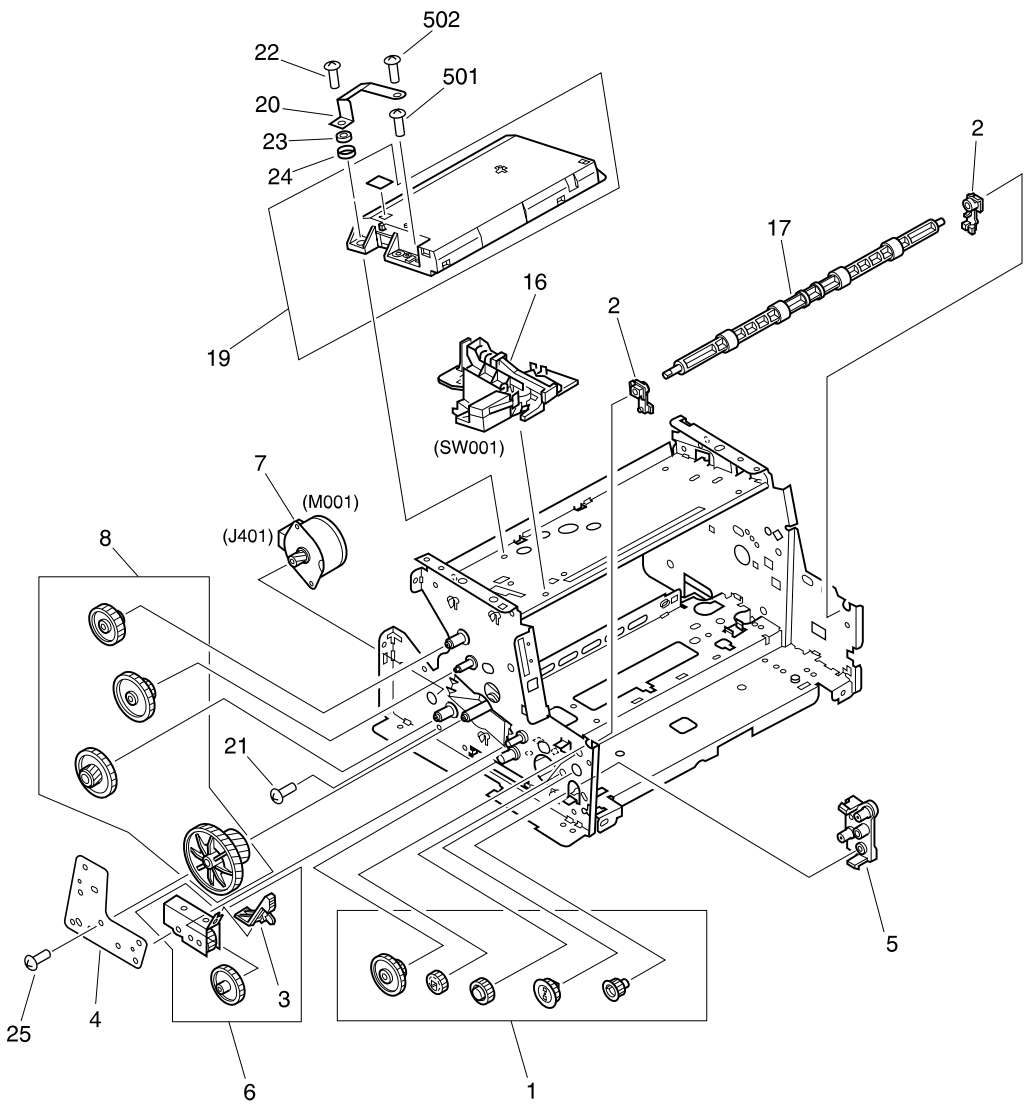


Figure 91. Internal components (2 of 3)

Table 27. Internal components (2 of 3)

Reference	Part number	Description
1	RY7-5005-000CN	Gear kit #1
2	RB1-7288-020CN	Bushing (2)
3	RB1-7105-000CN	Pressure release lever
4	RB2-1632-000CN	Gear support plate
5	RB1-7107-000CN	Gear holder
6	RY7-5007-000CN	Fuser release kit
7	RH7-1320-000CN	Motor, DC 12V
8	RY7-5036-000CN	Gear kit #2
16	RG5-3453-000CN	Switch lever assembly
17	RF5-2367-000CN	Exit roller
19	RG5-3494-050CN	Laser/scanner assembly
20	RB1-7385-020CN	Grounding spring
21	XA9-0267-000CN	Screw, TP, M3X6 (2)
22	XA9-0382-000CN	Screw, TP, M3X12
23	WE8-5192-000CN	Ferrite ring core
24	RB9-0227-000CN	Spacer
25	XA9-0267-000CN	Screw, TP, M3X6 (2)
501	XB6-7300-807CN	Screw, TP, M3X8 (5)
502	XB4-7300-809CN	Screw, tapping, truss head, M3X8

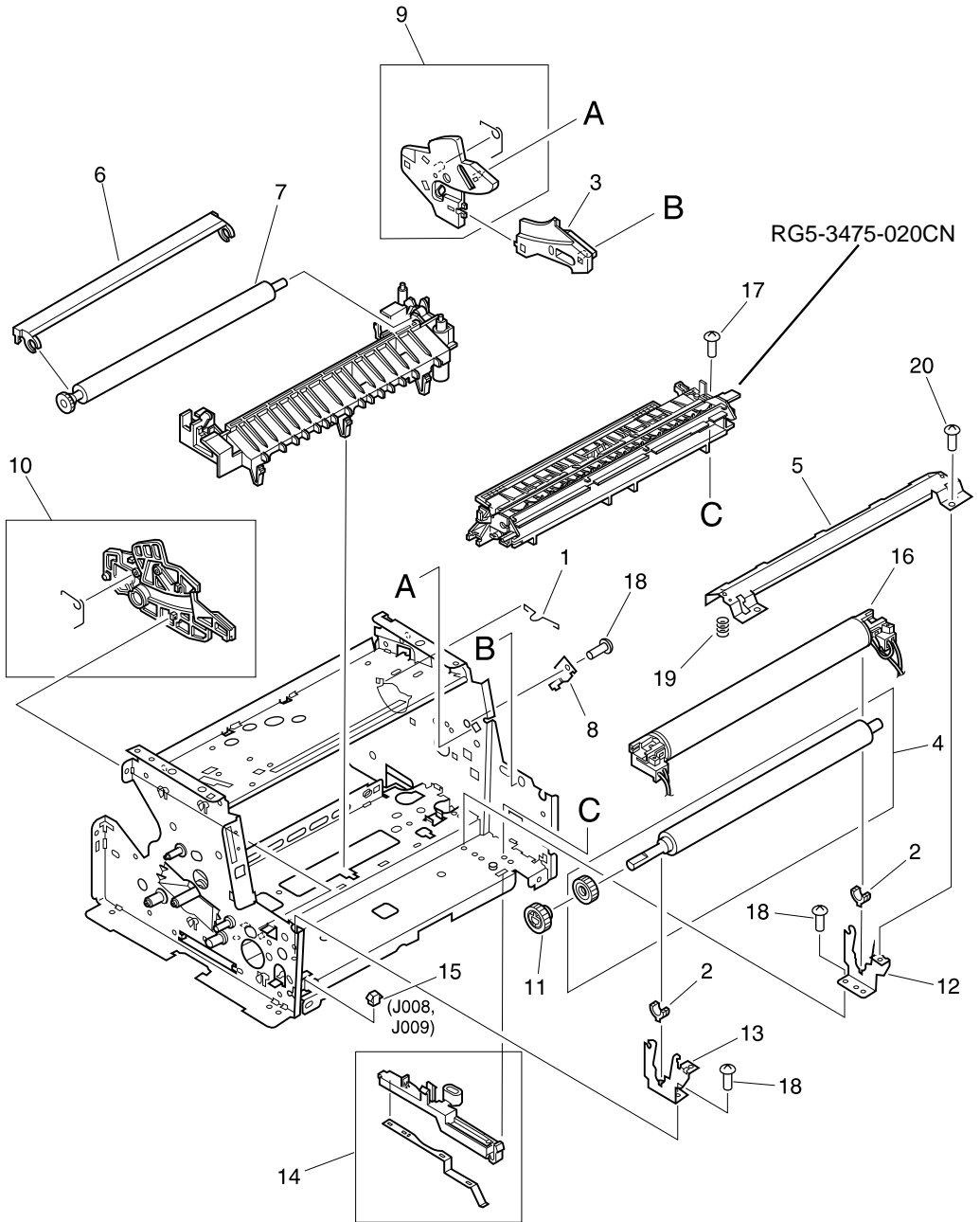


Figure 92. Internal components (3 of 3)

Table 28. Internal components (3 of 3)

Reference	Part number	Description
	RG5-3475-020CN	Separation guide assembly
1	RB1-7223-000CN	Grounding clip
2	RB1-7246-000CN	Bushing (2)
3	RB1-7341-030CN	Right cartridge guide #1
4	RF5-2362-000CN	Pressure roller
5	RF5-1517-020CN	Pressure plate
6	RF5-2358-000CN	Transfer guide
7	RF5-1534-000CN	Transfer roller
8	RB1-7129-000CN	Grounding metal
9	RF5-1515-020CN	Right cartridge guide #2
10	RF5-1514-020CN	Left cartridge guide
11	RS5-0796-000CN	Pressure roller gear (27T)
12	RB1-7256-000CN	Right side plate
13	RB1-7255-000CN	Left side plate
14	RF5-1533-000CN	Pressure roller ground guide
15	VS1-5057-002CN	Fuser connector (2P)
16	RG5-4678-000CN	Fixing assembly, 110 V
16	RG5-4681-000CN	Fixing assembly, 220 V
19	RS5-2508-000CN	Spring, compression
20	XA9-0824-000CN	Screw, RS, M3X10
21	XA9-0686-000CN	Screw, M3X6
22	XA9-0724-000CN	Screw, M3X8
23	RG5-3452-000CN	Transfer guide assembly
	CK-8006-000CN	Pressure roller grease

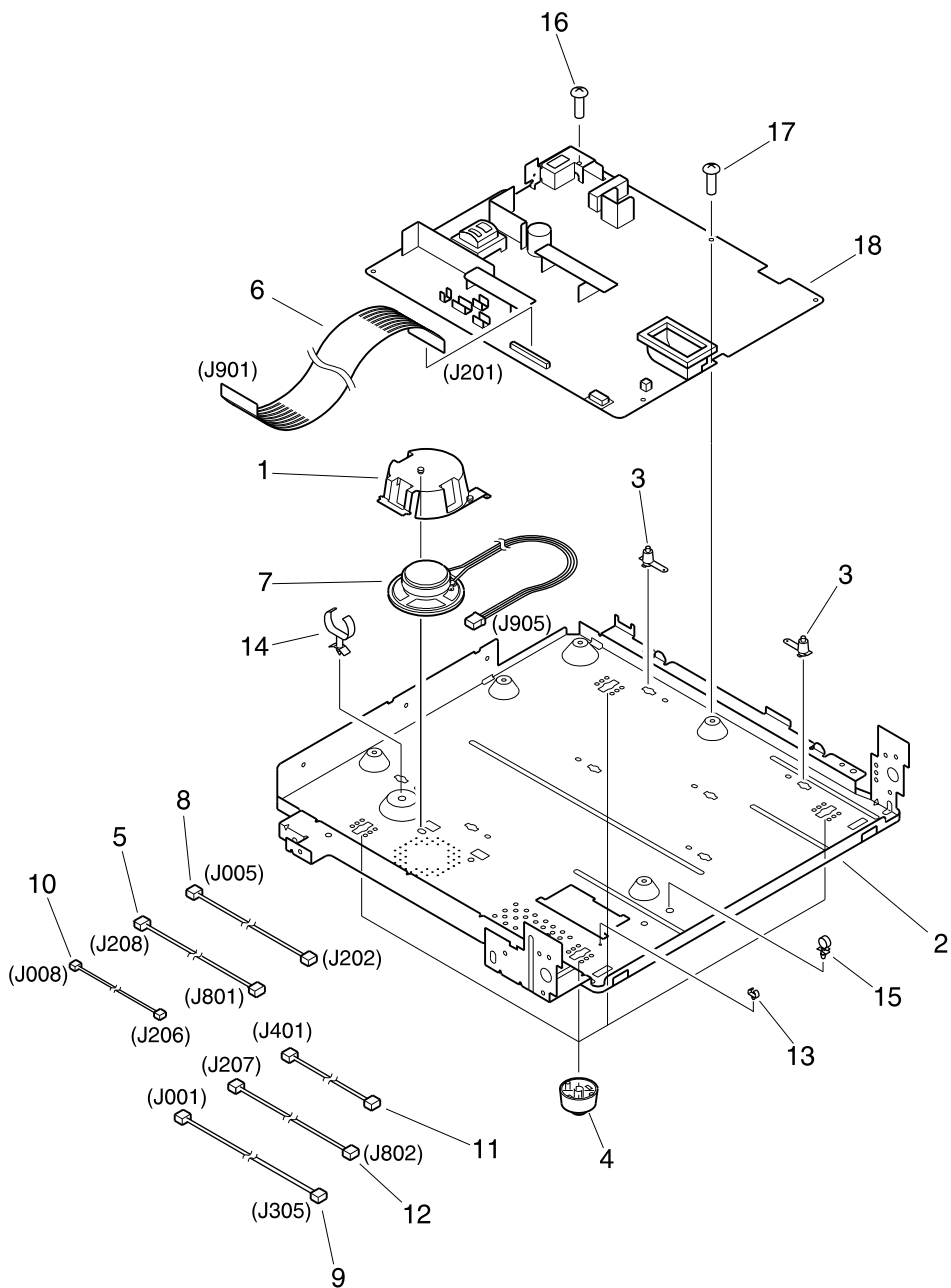


Figure 93. Electrical components assembly

Table 29. Electrical components assembly

Reference	Part number	Description
1	RB2-3346-000CN	Speaker mount
2	RB2-3342-000CN	Bottom plate
3	RB2-3347-000CN	Spacer, PCB (7)
4	RF5-2663-000CN	Foot (4)
5	RG5-2035-000CN	Cable, laser
6	RH2-5346-000CN	Cable, formatter
7	RH6-3845-000CN	Speaker
8	RG5-2029-000CN	Cable, paper pickup
9	RG5-3662-000CN	Cable, door switch
10	RG5-2032-000CN	Cable, thermistor
11	RG5-2033-000CN	Cable, motor
12	RG5-3661-000CN	Cable, scanner
13	WT2-0276-000CN	Clamp, wire
14	WT2-0367-000CN	Clamp, cable
15	WT2-5178-000CN	Clamp, cable
16	XA9-0828-000CN	Screw, with star washer, M3X4
17	XA9-0890-000CN	Screw, with washer, M3X6 (4)
18	RG5-4690-000CN	ECU, 110 V
18	RG5-4691-000CN	ECU, 220 V

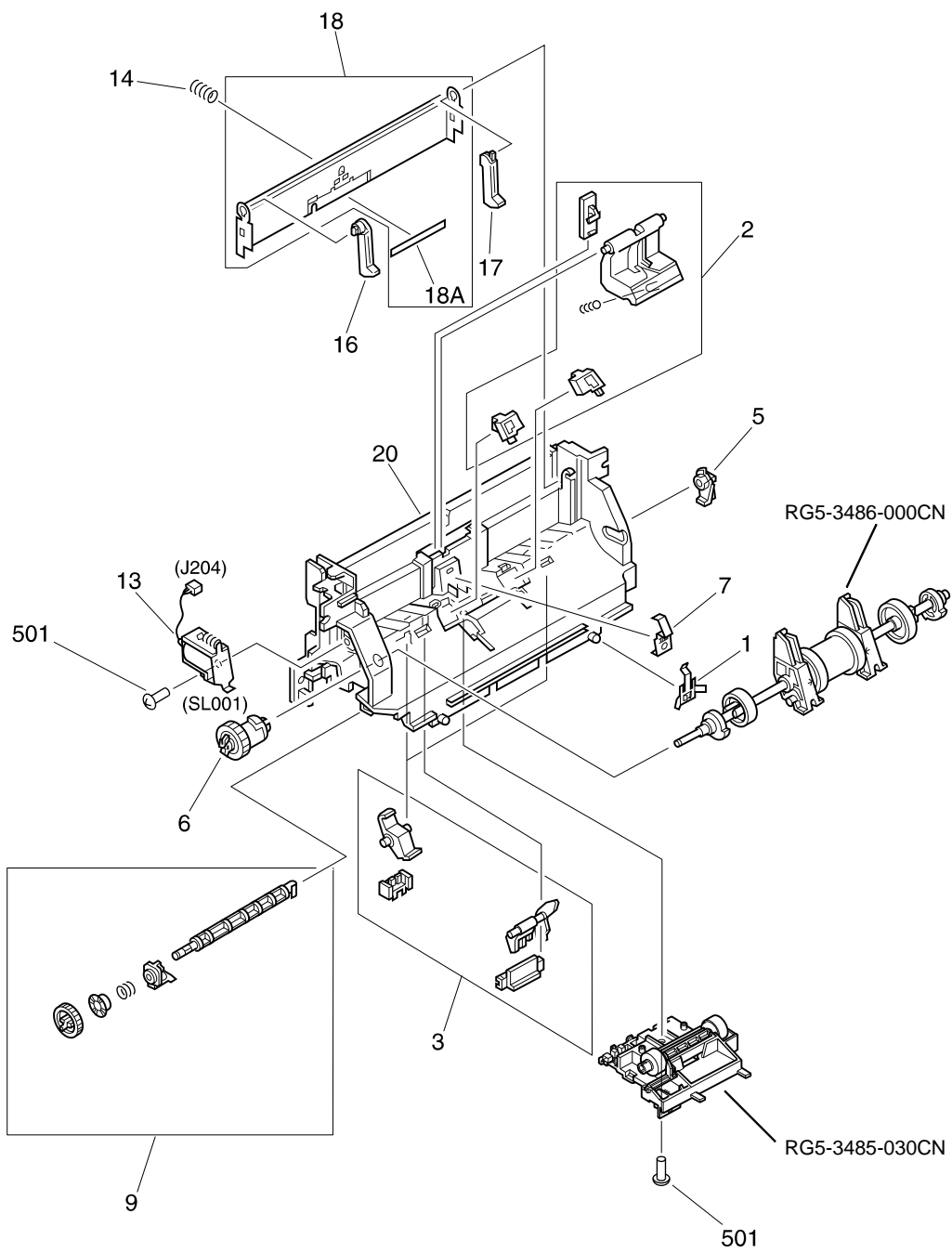


Figure 94. Paper pickup assembly

Table 30. Paper pickup assembly

Reference	Part number	Description
	RG5-3484-000CN	Paper pickup assembly
	RG5-3485-030CN	Feed assembly
	RG5-3486-040CN	Pickup roller assembly
1	RB1-7172-000CN	Spring, grounding
2	RB1-7181-000CN	Separation arm assembly
3	RB1-7182-000CN	Input sensor assembly
5	RB1-7184-000CN	Bushing
6	RB1-7197-020CN	Clutch
7	RB1-7199-000CN	Spring, grounding
9	RG5-1947-000CN	Paper feed drive assembly
13	RH7-5139-000CN	Solenoid
14	RS5-2501-000CN	Spring, compression
16	RB1-7185-000CN	Arm, plate, left
17	RB1-7186-000CN	Arm, plate, right
18	RF5-2372-000CN	Plate, middle
20	RB1-7177-000CN	Frame, paper feed
501	XB4-7401-000CN	Screw, tapping, pan head, M4X10 (2)

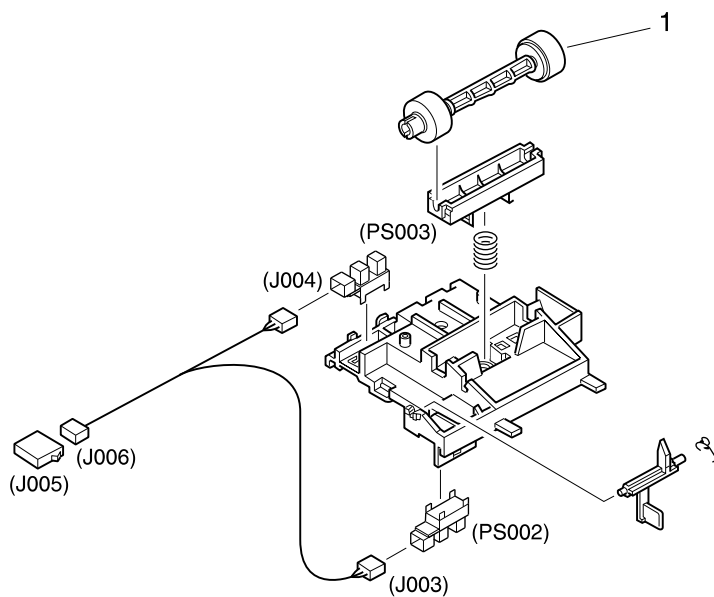


Figure 95. Feed assembly

Table 31. Feeder assembly

Reference	Part number	Description
	RG5-3485-030CN	Feed assembly
1	RB2-1699-000CN	Feed roller

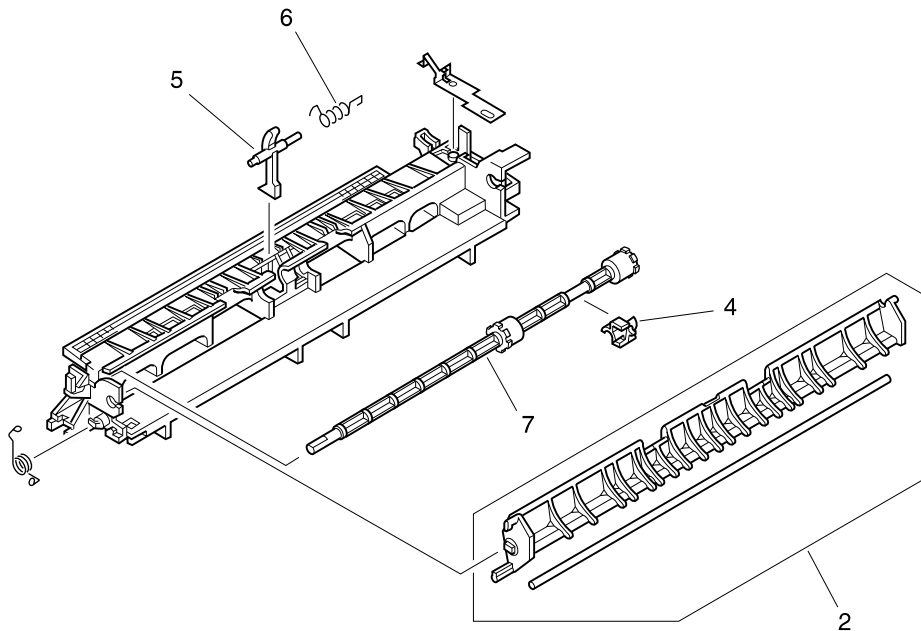


Figure 96. Separation guide assembly

Table 32. Separation guide assembly

Reference	Part number	Description
	RG5-3475-020CN	Separation guide assembly
2	RG5-3476-000CN	Face-up/face-down lever
4	RB2-1690-000CN	Fuser roller bushing
5	RB1-7293-000CN	Lever, sensor
6	RB1-7294-000CN	Spring, torsion
7	RF5-2368-000CN	Fuser exit roller assembly

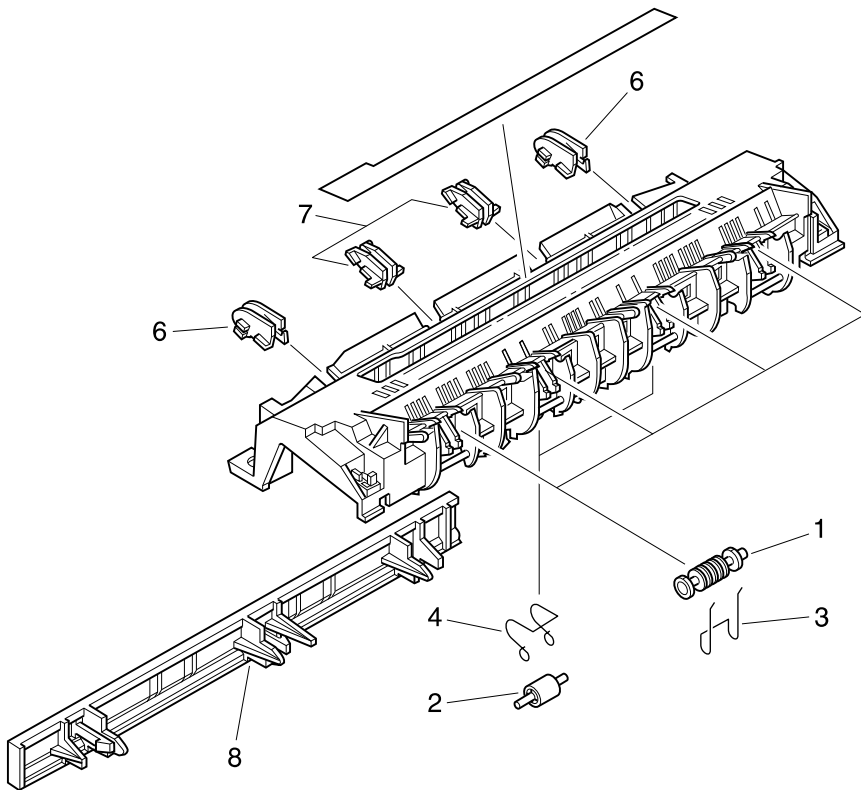


Figure 97. Delivery assembly

Table 33. Delivery assembly

Reference	Part number	Description
	RG5-3474-020CN	Delivery assembly
1	RB1-7284-020CN	Delivery roller #1 (4)
2	RB2-1685-000CN	Delivery roller #2 (2)
3	RB1-7286-000CN	Delivery spring #1 (4)
4	RB1-7287-000CN	Delivery spring #2 (2)
6	RG5-3479-000CN	Spur assembly outside (2)
7	RG5-3478-000CN	Spur assembly inside (2)
8	RB1-7334-000CN	Jammed paper protector

Alphabetical parts list

Table 34. Alphabetical parts list

Part name	Part number	Figure #	Reference
Arm, plate, left	RB1-7185-000CN	94	16
Arm, plate, right	RB1-7186-000CN	94	17
Bottom plate	RB2-3342-000CN	93	2
Bushing	RB1-7184-000CN	94	5
Bushing (2)	RB1-7246-000CN	92	2
Bushing (2)	RB1-7288-020CN	91	2
Cable guide	RB1-7130-020CN	90	6
Cable guide	RB2-3409-000CN	87	19
Cable guide holder, formatter	RB2-3366-000CN	90	8
Cable guide, control panel	WT2-0317-000CN	90	14
Cable guide, formatter	RB2-3350-000CN	90	3
Cable guide, frame	WT2-5498-000CN	90	15
Cable tube	RB2-3351-000CN	87	13
Cable, CIS grounding	RG5-4238-000CN	89	17
Cable, contact image sensor (J1004 to J903)	RG5-4233-000CN	89	15
Cable, door switch	RG5-3662-000CN	93	9
Cable, formatter	RH2-5346-000CN	93	6
Cable, grounding, document scanner motor	RG5-4237-000CN	90	20
Cable, laser	RG5-2035-000CN	93	5
Cable, motor	RG5-2033-000CN	93	11
Cable, paper pickup	RG5-2029-000CN	93	8
Cable, scanner	RG5-3661-000CN	93	12
Cable, thermistor	RG5-2032-000CN	93	10
Cap	RB1-7234-000CN	90	7
Cap	RB2-3345-000CN	90	1
Clamp, cable	WT2-0367-000CN	93	14
Clamp, cable	WT2-5178-000CN	93	15
Clamp, wire	WT2-0276-000CN	93	13

Table 34. Alphabetical parts list

Part name	Part number	Figure #	Reference
Clutch	RB1-7197-020CN	94	6
Contact image sensor assembly	RG5-4239-000CN	89	11
Control panel assembly	RG5-4241-000CN	87	
Cover, arm	HB1-2895-000CN	87	10
Delivery assembly	RG5-3474-020CN	90	
Delivery assembly	RG5-3474-020CN	97	
Delivery roller #1 (4)	RB1-7284-020CN	97	1
Delivery roller #2 (2)	RB2-1685-000CN	97	2
Delivery spring #1 (4)	RB1-7286-000CN	97	3
Delivery spring #2 (2)	RB1-7287-000CN	97	4
Document feeder support	RB2-3455-000CN	85	3
Document output support	RB2-3470-000CN	85	4
Document scanner assembly	RG5-4223-000CN	87	
Document scanner assembly	RG5-4223-000CN	89	
Document scanner guide	RB2-3436-000CN	87	5
Document scanner separation pad	RB2-3430-000CN	87	11
Duct, 1	RB2-3401-000CN	88	4
Duct, 2	RB2-3402-000CN	88	5
ECU, 110 V	RG5-4690-000CN	93	18
ECU, 220 V	RG5-4691-000CN	93	18
Exit roller	RF5-2367-000CN	91	17
Face-up/face-down lever	RG5-3476-000CN	96	2
Feed assembly	RG5-3485-030CN	94	
Feed assembly	RG5-3485-030CN	95	
Feed roller	RB2-1699-000CN	95	1
Ferrite ring core	WE8-5192-000CN	91	23
Fixing assembly, 110 V	RG5-4678-000CN	92	16
Fixing assembly, 220 V	RG5-4681-000CN	92	16
Foot (4)	RF5-2663-000CN	93	4
Formatter	C3949-67901	90	22
Frame, paper feed	RB1-7177-000CN	94	20

Table 34. Alphabetical parts list

Part name	Part number	Figure #	Reference
Front casing	RB2-3349-000CN	86	6
Fuser connector (2P)	VS1-5057-002CN	92	15
Fuser exit roller assembly	RF5-2368-000CN	96	7
Fuser release kit	RY7-5007-000CN	91	6
Fuser roller bushing	RB2-1690-000CN	96	4
Gear holder	RB1-7107-000CN	91	5
Gear kit #1	RY7-5005-000CN	91	1
Gear kit #2	RY7-5036-000CN	91	8
Gear support plate	RB2-1632-000CN	91	4
Grounding clip	RB1-7223-000CN	92	1
Grounding metal	RB1-7129-000CN	92	8
Grounding plate	RB2-4118-000CN	90	12
Grounding plate (2)	RB2-3467-000CN	90	13
Grounding spring	RB1-7385-020CN	91	20
Guide sheet	RB1-7176-000CN	90	11
I/O bezel	C3948-40010	86	1
Input bin assembly	RG5-3488-000CN	86	9
Input sensor assembly	RB1-7182-000CN	94	3
Jammed paper protector	RB1-7334-000CN	97	8
Laser/scanner assembly	RG5-3494-050CN	91	19
Left cartridge guide	RF5-1514-020CN	92	10
Left cover	RB2-3360-000CN	86	3
Left front cover	RB2-3451-000CN	86	8
Left hinge cover	RB2-3468-000CN	87	17
Left hinge holder	RB2-3465-000CN	90	17
Left side plate	RB1-7255-000CN	92	13
Lever, sensor	RB1-7293-000CN	96	5
LIU board (U.S.)	C3948-67903	90	24
LIU board (worldwide)	C3948-67904	90	24
Metal plate	RB2-3364-000CN	90	5
Motor, AC 1.08W	RH7-1376-000CN	89	19

Table 34. Alphabetical parts list

Part name	Part number	Figure #	Reference
Motor, DC 12V	RH7-1320-000CN	91	7
Paper feed drive assembly	RG5-1947-000CN	94	9
Paper guide	RB1-7247-000CN	90	2
Paper input support	RB2-3362-000CN	85	1
Paper output support	RB2-3410-000CN	85	2
Paper path lever	RB2-3453-000CN	86	12
Paper pickup assembly	RG5-3484-000CN	94	
Paper pickup assembly	RG5-3484-070CN	90	
Pickup roller assembly	RG5-3486-000CN	90	
Pickup roller assembly	RG5-3486-040CN	94	
Pickup roller assembly, document scanner	RG5-4688-000CN	89	1
Plate, middle	RF5-2372-000CN	94	18
Pressure plate	RF5-1517-020CN	92	5
Pressure release lever	RB1-7105-000CN	91	3
Pressure release lever cover	RB2-3452-000CN	86	11
Pressure roller	RF5-2362-000CN	92	4
Pressure roller gear (27T)	RS5-0796-000CN	92	11
Pressure roller grease	CK-8006-000CN	92	
Pressure roller ground guide	RF5-1533-000CN	92	14
Printer door assembly	RG5-4220-000CN	87	
Printer door assembly	RG5-4220-000CN	88	
Rear cover	RB2-3361-000CN	86	4
Reinforcement plate	RF5-2664-000CN	90	4
RFI shield	C3948-00002	90	23
Right cartridge guide #1	RB1-7341-030CN	92	3
Right cartridge guide #2	RF5-1515-020CN	92	9
Right cover	RB2-3341-000CN	86	2
Right hinge cover	RB2-3469-000CN	87	18
Right hinge holder	RB2-3466-000CN	90	18
Right side plate	RB1-7256-000CN	92	12
Screw	FA9-1449-000CN	89	14

Table 34. Alphabetical parts list

Part name	Part number	Figure #	Reference
Screw M3X8 (11)	XA9-0724-000CN	90	9
Screw, M3X6 (9)	0515-2672	90	25
Screw, M3X6	XA9-0686-000CN	92	21
Screw, M3X8	XA9-0724-000CN	92	22
Screw, M3X8	XB4-7300-807CN	89	503
Screw, M3X8 (2)	XA9-0724-000CN	86	16
Screw, M3X8 (4)	XA9-0614-000CN	88	24
Screw, M4X8 (4)	XA9-0497-000CN	86	502
Screw, RS, M3X10	XA9-0824-000CN	92	20
Screw, RS, with washer, M3X8	XA9-0855-000CN	90	10
Screw, tapping, pan head, M4X10 (2)	XB4-7401-000CN	94	501
Screw, tapping, truss head, M3X8	XB4-7300-809CN	91	502
Screw, tapping, truss head, M3X8 (7)	XB4-7300-807CN	87	501
Screw, tapping, truss head, M4X8 (3)	XB4-7400-807CN	90	501
Screw, TP, M3X12	XA9-0382-000CN	91	22
Screw, TP, M3X4 (4)	XA9-0434-000CN	90	19
Screw, TP, M3X6 (2)	XA9-0267-000CN	91	21
Screw, TP, M3X6 (2)	XA9-0267-000CN	91	25
Screw, TP, M3X8	XA9-0476-000CN	86	14
Screw, TP, M3X8 (5)	XB6-7300-807CN	91	501
Screw, truss head, with washer (4)	FA9-1449-000CN	90	21
Screw, with star washer, M3X4	XA9-0828-000CN	93	16
Screw, with washer, M3X6 (4)	XA9-0890-000CN	93	17
Separation arm assembly	RB1-7181-000CN	94	2
Separation guide assembly	RG5-3475-020CN	92	
Separation guide assembly	RG5-3475-020CN	96	
Sheet, arching (2)	RB2-3365-000CN	88	1
Sheet, pad	RB2-4114-000CN	87	30
Single-sheet input slot assembly	RG5-4763-000CN	86	10
Solenoid	RH7-5139-000CN	94	13
Spacer	RB2-3454-000CN	87	15

Table 34. Alphabetical parts list

Part name	Part number	Figure #	Reference
Spacer	RB9-0227-000CN	91	24
Spacer, PCB (7)	RB2-3347-000CN	93	3
Speaker	RH6-3845-000CN	93	7
Speaker mount	RB2-3346-000CN	93	1
Spring, compression	RS5-2501-000CN	94	14
Spring, compression	RS5-2508-000CN	92	19
Spring, grounding	RB1-7172-000CN	94	1
Spring, grounding	RB1-7199-000CN	94	7
Spring, tension	RB1-7294-000CN	96	6
Spur assembly inside (2)	RG5-3478-000CN	97	7
Spur assembly outside (2)	RG5-3479-000CN	97	6
Strap	HB1-2867-000CN	87	1
Switch lever assembly	RG5-3453-000CN	91	16
Top cover	RB2-3450-000CN	86	7
Transfer guide	RF5-2358-000CN	92	6
Transfer guide assembly	RG5-3452-000CN	92	23
Transfer roller	RF5-1534-000CN	92	7
Upper guide assembly	RG5-4221-000CN	87	

Numerical parts list

Table 35. Numerical parts list

Part number	Part name	Figure #	Reference
0515-2672	Screw, M3X6 (9)	90	25
C3948-00002	RFI shield	90	23
C3948-40010	I/O bezel	86	1
C3948-67903	LIU board (U.S.)	90	24
C3948-67904	LIU board (worldwide)	90	24
C3949-67901	Formatter	90	22
CK-8006-000CN	Pressure roller grease	92	
FA9-1449-000CN	Screw	89	14
FA9-1449-000CN	Screw, truss head, with washer (4)	90	21
HB1-2867-000CN	Strap	87	1
HB1-2895-000CN	Cover, arm	87	10
RB1-7105-000CN	Pressure release lever	91	3
RB1-7107-000CN	Gear holder	91	5
RB1-7129-000CN	Grounding metal	92	8
RB1-7130-020CN	Cable guide	90	6
RB1-7172-000CN	Spring, grounding	94	1
RB1-7176-000CN	Guide sheet	90	11
RB1-7177-000CN	Frame, paper feed	94	20
RB1-7181-000CN	Separation arm assembly	94	2
RB1-7182-000CN	Input sensor assembly	94	3
RB1-7184-000CN	Bushing	94	5
RB1-7185-000CN	Arm, plate, left	94	16
RB1-7186-000CN	Arm, plate, right	94	17
RB1-7197-020CN	Clutch	94	6
RB1-7199-000CN	Spring, grounding	94	7
RB1-7223-000CN	Grounding clip	92	1
RB1-7234-000CN	Cap	90	7
RB1-7246-000CN	Bushing (2)	92	2
RB1-7247-000CN	Paper guide	90	2

Table 35. Numerical parts list

Part number	Part name	Figure #	Reference
RB1-7255-000CN	Left side plate	92	13
RB1-7256-000CN	Right side plate	92	12
RB1-7284-020CN	Delivery roller #1 (4)	97	1
RB1-7286-000CN	Delivery spring #1 (4)	97	3
RB1-7287-000CN	Delivery spring #2 (2)	97	4
RB1-7288-020CN	Bushing (2)	91	2
RB1-7293-000CN	Lever, sensor	96	5
RB1-7294-000CN	Spring, torsion	96	6
RB1-7334-000CN	Jammed paper protector	97	8
RB1-7341-030CN	Right cartridge guide #1	92	3
RB1-7385-020CN	Grounding spring	91	20
RB2-1632-000CN	Gear support plate	91	4
RB2-1685-000CN	Delivery roller #2 (2)	97	2
RB2-1690-000CN	Fuser roller bushing	96	4
RB2-1699-000CN	Feed roller	95	1
RB2-3341-000CN	Right cover	86	2
RB2-3342-000CN	Bottom plate	93	2
RB2-3345-000CN	Cap	90	1
RB2-3346-000CN	Speaker mount	93	1
RB2-3347-000CN	Spacer, PCB (7)	93	3
RB2-3349-000CN	Front casing	86	6
RB2-3350-000CN	Cable guide, formatter	90	3
RB2-3351-000CN	Cable tube	87	13
RB2-3360-000CN	Left cover	86	3
RB2-3361-000CN	Rear cover	86	4
RB2-3362-000CN	Paper input support	85	1
RB2-3364-000CN	Metal plate	90	5
RB2-3365-000CN	Sheet, arching (2)	88	1
RB2-3366-000CN	Cable guide holder, formatter	90	8
RB2-3401-000CN	Duct, 1	88	4
RB2-3402-000CN	Duct, 2	88	5

Table 35. Numerical parts list

Part number	Part name	Figure #	Reference
RB2-3409-000CN	Cable guide	87	19
RB2-3410-000CN	Paper output support	85	2
RB2-3430-000CN	Document scanner separation pad	87	11
RB2-3436-000CN	Document scanner guide	87	5
RB2-3450-000CN	Top cover	86	7
RB2-3451-000CN	Left front cover	86	8
RB2-3452-000CN	Pressure release lever cover	86	11
RB2-3453-000CN	Paper path lever	86	12
RB2-3454-000CN	Spacer	87	15
RB2-3455-000CN	Document feeder support	85	3
RB2-3465-000CN	Left hinge holder	90	17
RB2-3466-000CN	Right hinge holder	90	18
RB2-3467-000CN	Grounding plate (2)	90	13
RB2-3468-000CN	Left hinge cover	87	17
RB2-3469-000CN	Right hinge cover	87	18
RB2-3470-000CN	Document output support	85	4
RB2-4114-000CN	Sheet, pad	87	30
RB2-4118-000CN	Grounding plate	90	12
RB9-0227-000CN	Spacer	91	24
RF5-1514-020CN	Left cartridge guide	92	10
RF5-1515-020CN	Right cartridge guide #2	92	9
RF5-1517-020CN	Pressure plate	92	5
RF5-1533-000CN	Pressure roller ground guide	92	14
RF5-1534-000CN	Transfer roller	92	7
RF5-2358-000CN	Transfer guide	92	6
RF5-2362-000CN	Pressure roller	92	4
RF5-2367-000CN	Exit roller	91	17
RF5-2368-000CN	Fuser exit roller assembly	96	7
RF5-2372-000CN	Plate, middle	94	18
RF5-2663-000CN	Foot (4)	93	4
RF5-2664-000CN	Reinforcement plate	90	4

Table 35. Numerical parts list

Part number	Part name	Figure #	Reference
RG5-1947-000CN	Paper feed drive assembly	94	9
RG5-2029-000CN	Cable, paper pickup	93	8
RG5-2032-000CN	Cable, thermistor	93	10
RG5-2033-000CN	Cable, motor	93	11
RG5-2035-000CN	Cable, laser	93	5
RG5-3452-000CN	Transfer guide assembly	92	23
RG5-3453-000CN	Switch lever assembly	91	16
RG5-3474-020CN	Delivery assembly	90	
RG5-3474-020CN	Delivery assembly	97	
RG5-3475-020CN	Separation guide assembly	92	
RG5-3475-020CN	Separation guide assembly	96	
RG5-3476-000CN	Face-up/face-down lever	96	2
RG5-3478-000CN	Spur assembly inside (2)	97	7
RG5-3479-000CN	Spur assembly outside (2)	97	6
RG5-3484-000CN	Paper pickup assembly	94	
RG5-3484-070CN	Paper pickup assembly	90	
RG5-3485-030CN	Feed assembly	94	
RG5-3485-030CN	Feed assembly	95	
RG5-3486-000CN	Pickup roller assembly	90	
RG5-3486-040CN	Pickup roller assembly	94	
RG5-3488-000CN	Input bin assembly	86	9
RG5-3494-050CN	Laser/scanner assembly	91	19
RG5-3661-000CN	Cable, scanner	93	12
RG5-3662-000CN	Cable, door switch	93	9
RG5-4220-000CN	Printer door assembly	87	
RG5-4220-000CN	Printer door assembly	88	
RG5-4221-000CN	Upper guide assembly	87	
RG5-4223-000CN	Document scanner assembly	87	
RG5-4223-000CN	Document scanner assembly	89	
RG5-4233-000CN	Cable, contact image sensor (J1004 to J903)	89	15

Table 35. Numerical parts list

Part number	Part name	Figure #	Reference
RG5-4237-000CN	Cable, grounding, document scanner motor	90	20
RG5-4238-000CN	Cable, CIS grounding	89	17
RG5-4239-000CN	Contact image sensor assembly	89	11
RG5-4241-000CN	Control panel assembly	87	
RG5-4678-000CN	Fixing assembly, 110 V	92	16
RG5-4681-000CN	Fixing assembly, 220 V	92	16
RG5-4688-000CN	Pickup roller assembly, document scanner	89	1
RG5-4690-000CN	ECU, 110 V	93	18
RG5-4691-000CN	ECU, 220 V	93	18
RG5-4763-000CN	Single-sheet input slot assembly	86	10
RH2-5346-000CN	Cable, formatter	93	6
RH6-3845-000CN	Speaker	93	7
RH7-1320-000CN	Motor, DC 12V	91	7
RH7-1376-000CN	Motor, AC 1.08W	89	19
RH7-5139-000CN	Solenoid	94	13
RS5-0796-000CN	Pressure roller gear (27T)	92	11
RS5-2501-000CN	Spring, compression	94	14
RS5-2508-000CN	Spring, compression	92	19
RY7-5005-000CN	Gear kit #1	91	1
RY7-5007-000CN	Fuser release kit	91	6
RY7-5036-000CN	Gear kit #2	91	8
VS1-5057-002CN	Fuser connector (2P)	92	15
WE8-5192-000CN	Ferrite ring core	91	23
WT2-0276-000CN	Clamp, wire	93	13
WT2-0317-000CN	Cable guide, control panel	90	14
WT2-0367-000CN	Clamp, cable	93	14
WT2-5178-000CN	Clamp, cable	93	15
WT2-5498-000CN	Cable guide, frame	90	15
XA9-0267-000CN	Screw, TP, M3X6 (2)	91	21
XA9-0267-000CN	Screw, TP, M3X6 (2)	91	25
XA9-0382-000CN	Screw, TP, M3X12	91	22

Table 35. Numerical parts list

Part number	Part name	Figure #	Reference
XA9-0434-000CN	Screw, TP, M3X4 (4)	90	19
XA9-0476-000CN	Screw, TP, M3X8	86	14
XA9-0497-000CN	Screw, M4X8 (4)	86	502
XA9-0614-000CN	Screw, M3X8 (4)	88	24
XA9-0686-000CN	Screw, M3X6	92	21
XA9-0724-000CN	Screw M3X8 (11)	90	9
XA9-0724-000CN	Screw, M3X8	92	22
XA9-0724-000CN	Screw, M3X8 (2)	86	16
XA9-0824-000CN	Screw, RS, M3X10	92	20
XA9-0828-000CN	Screw, with star washer, M3X4	93	16
XA9-0855-000CN	Screw, RS, with washer, M3X8	90	10
XA9-0890-000CN	Screw, with washer, M3X6 (4)	93	17
XB4-7300-807CN	Screw, M3X8	89	503
XB4-7300-807CN	Screw, tapping, truss head, M3X8 (7)	87	501
XB4-7300-809CN	Screw, tapping, truss head, M3X8	91	502
XB4-7400-807CN	Screw, tapping, truss head, M4X8 (3)	90	501
XB4-7401-000CN	Screw, tapping, pan head, M4X10 (2)	94	501
XB6-7300-807CN	Screw, TP, M3X8 (5)	91	501