

**500 Sheet Tray****Bushing**

1 RB1-8946-000CN Separation roller bushing

**Clutch**

2 RB1-8974-000CN Separation roller clutch - Torque limiter

**Coupler**

3 RB1-8945-000CN Separation roller/gear coupler

**Lifter**

4 RB1-8961-000CN Arm lifter - White plastic arm that holds top left side metal corner piece up when loading paper in tray

5 RB1-8962-000CN Arm lifter - White plastic arm that holds top right side metal corner piece up when loading paper in tray

**Panel**

6 RB1-8947-000CN Separation roller access panel

**Roller**

7 RF5-3114-000CN Feed roller

**Spindle**

8 RF5-2489-000CN Separation roller mounting assembly

**Spring**

9 RS5-2622-020CN Separation roller tension spring

**Accessories****Cartridge**

C8061X Black toner (EP) cartridge - With 'Micro-Fine' toner - Has maximum capacity toner (prints approximately 10,000 pages)

**IR Assembly**

C4103A HP FIR pod - Fast Infrared Connection pod

**Kit**

C8057-67903 Maintenance kit (120V) - Includes fusing assembly three separation rollers, transfer roller, three paper feed rollers, pickup roller and instruction manual

C8057-69003 Maintenance kit (120V) - Includes fusing assembly three separation rollers, transfer roller, three paper feed rollers, pickup roller and instruction manual  
REQUIRES RETURN OF DEFECTIVE PART

*C8057-67903 New Part for C8057-69003*

C8057A Maintenance kit (120V) - Includes fusing assembly three separation rollers, transfer roller, three paper feed rollers, pickup roller and instruction manual

C8058A Maintenance kit (220V) - Includes fusing assembly three separation rollers, transfer roller, three paper feed rollers, pickup roller and instruction manual

H3970-60001 Roller kit - LaserJet 4100 series paper path roller kit - Kit contains 4 feed/separation rollers, 8 cassette pickup D-rollers, and 1 MP tray pickup roller - Installation of kit requires service manual

**C8055A 500 Sheet Feeder****Arm**

17 RB1-8879-000CN Paper tray sensing arm

**Button**

18 RB2-3497-000CN Release lever button

**Cable**

19 RG5-3711-000CN Optical sensor cable

20 RG5-3822-000CN Paper feeder cable

**Clip**

21 RB1-9397-000CN Grounding strap

**C8055A 500 Sheet Feeder****Connector**

22 RG5-3712-000CN Lower tray connector and cable

**Cover**

23 RB2-4836-000CN Rear tray cover

**Drive Assembly**

24 RG5-5293-000CN Optional 500 sheet paper pickup drive assembly

**Frame**

25 RG5-2689-030CN Upper frame assembly

26 RG5-5291-000CN Right side frame assembly

27 RG5-5292-000CN Left side frame assembly

**Guide**

28 RB1-8914-000CN Lower paper guide

29 RB1-8924-000CN Optional lower cassette support guide

30 RB1-9385-000CN Optional lower cassette support guide

**Hook**

31 RB1-2190-000CN Pick-up roller spring hook

**Lever**

32 RB2-2412-000CN Release lever - Actuated by release button

**PC Board**

33 RG5-5539-000CN Lower tray logic PCA - With tray size switches

**Roller**

34 RB1-8957-000CN Paper pick-up roller - 'D' roller (Sold individually)

35 RF5-3114-000CN Feed roller

**Sensor**

36 WG8-5362-000CN Optical sensor

**Spring**

37 RS5-2632-000CN Tension spring - Provides tension for pickup roller

38 RS5-2658-000CN Release lever spring - Provides tension for tray release lever

**Duplexer Components****Cover**

39 RB1-9045-000CN Duplexer rear cover panel

40 RB2-4766-000CN Duplexer access top cover

41 RB2-4768-000CN Right side duplexer cover

42 RF5-3092-000CN Left side duplexer cover - With connector

**Fan**

43 RH7-1361-000CN Duplexer fan - 24VDC

**Electronic Accessories****Cable (Interface)**

C2951A IEEE-1284 Bi-Tronics parallel cable - DB-25 (M) connector (type A) to 36 pin Centronics (M) connector (type B) - 3.0m (9.8ft) long

**Drive**

J6054-61001 5GB EIO hard drive - (J6054A)

J6054-61031 *New Part for J6054-61001*

**Electronic Accessories****Duplexer**

C8054-69001	Duplexer assembly - For 2 sided printing
C8054A	Optional duplexer assembly - For 2 sided printing

**Envelope Feeder**

C8053-69002	Power envelope feeder - Holds 75 monarch, C5, DL, B5, or COM10 envelopes
C8053A	Power envelope feeder - Holds 75 monarch, C5, DL, B5, or COM10 envelopes
C8053B	<i>New Part for C8053A</i>

**Interface (Product)**

J3110A	Ethernet 10Base-T (RJ-45) EIO network internal print server PC board
J3111A	Ethernet 10Base-T/10Base2 and LocalTalk (RJ-45, BNC, LocalTalk) EIO network PCA
J4135A	JetDirect connectivity card - Has one USB port, one serial (DB9) port and one LocalTalk port - Plugs in the EIO slot on selected DesignJet and LaserJet printers
J4169A	JetDirect 610N internal print server (10Base-T and 100Base-TX) LAN interface board - Plugs into peripheral EIO slot - Has a RJ-45 connector - Comes with software on CD-ROM and manual
J6057A	JetDirect 615N internal print server (10Base-T and 100Base-TX) LAN interface board - Plugs into peripheral EIO slot - Has a RJ-45 connector - Comes with software on CD-ROM and manual
J6057AR	JetDirect 615N internal print server (10Base-T and 100Base-TX) LAN interface board - Plugs into peripheral EIO slot - Has a RJ-45 connector - Comes with software on CD-ROM and manual

**Memory (DIMM)**

C7842-67901	8MB, 100-pin SDRAM DIMM memory module
C7843-67901	16MB, 100-pin SDRAM DIMM memory module
C7845-67901	32MB, 100-pin SDRAM DIMM memory module
C7846-67901	64MB SDRAM - 100MHz synchronous DRAM - DIMM package
Q1887-67901	<i>New Part for C7846-67901</i>

**Memory (Product)**

C4140A	4MB, 100-pin SDRAM DIMM memory module NO LONGER SUPPLIED
C7842A	<i>New Part for C4140A</i>
C4286A	2MB flash DIMM memory - Font storage device
C4292A	8MB Traditional Chinese MROM DIMM - For LaserJet 4000 and 5100 series printers
C4293A	8MB Simplified Chinese MROM DIMM - For LaserJet 4000 and 5100 series printers
C7842A	8MB, 100-pin SDRAM DIMM memory module
C7843A	16MB, 100-pin SDRAM DIMM memory module
C7845A	32MB, 100-pin SDRAM DIMM memory module
C9121A	128MB, 100MHz synchronous SDRAM DIMM memory module
Q1887A	64MB, 100-pin synchronous SDRAM DIMM memory module

**PC Board (Interface)**

J4169-69001	JetDirect 610N internal print server 10Base-T and 100Base-T LAN interface board - Has one RJ-45 connector
J6057-69001	<i>New Part for J4169-69001</i>

**Envelope Feeder****Tray**

<sup>70</sup>	RB2-4734-020CN	Envelope feeder input tray
---------------	----------------	----------------------------

**Weight**

<sup>71</sup>	RG5-2734-000CN	Envelope weight assembly - Pivot mount and tension weight
---------------	----------------	---

**External Case Parts****Button**

72 RB1-8849-030CN Power switch button

**Clip**

73 RB1-8860-000CN Right side panel retainer clip

**Cover**

74 RB1-8858-000CN Formatter board cover panel

75 RB2-4827-000CN Duplexer cover

76 RG5-2664-070CN Right front cover assembly

77 RG5-5098-000CN Left side cover assembly - Includes panel retainer clip

**Tray**

78 RG5-5097-000CN Drop down rear output tray - Includes pull-out extension

**Fusing Assembly Parts****Fusing Assembly**

79 C8049-69013 Fusing assembly - 110 volts  
REQUIRES RETURN OF DEFECTIVE PART

*RG5-5063-340CN New Part for C8049-69013*

80 C8049-69014 Fusing assembly - 220 volts  
REQUIRES RETURN OF DEFECTIVE PART

*RG5-5064-340CN New Part for C8049-69014*

RG5-5063-340CN Fusing assembly - 110 volts

**Heating Roller**

RG5-5068-090CN Fusing roller - Heating element and film sleeve - 110V

RG5-5069-090CN Fusing roller - Heating element and film sleeve - 220V

**Roller**

RB2-4927-020CN Fuser assembly delivery roller

RB2-4937-000CN Fusing assembly pressure roller

**Internal Components****Actuator**

86 RB1-8756-000CN Toner cartridge drive rod

87 RB1-8851-000CN Power switch actuator rod

**Antenna**

88 RG5-5273-000CN Antenna assembly

**Arm**

89 RB1-8700-000CN Laser shutter arm

**Bracket**

90 RB2-5008-000CN Cartridge memory antenna mounting bracket (support plate)

**Cable**

91 RG5-3711-000CN Optical sensor cable

92 RG5-5341-000CN Tray 1 sensor cable

93 RG5-5343-000CN Paper feed and tray 1 pickup solenoid cable

94 RG5-5344-000CN Envelope feeder cable with connector

95 RG5-5345-000CN Top cover switch cable

96 RG5-5346-000CN Main motor cable

97 RG5-5348-000CN Cable assembly - A 7 pin (F) connector to both a 27.9cm (11 inch) cable with a 4 pin (F) connector and a 36.8cm (14.5 inch) cable with a 3 pin (F) connector

**Internal Components****Cable**

98	RG5-5349-000CN	Cable assembly - 13 pin (F) connector to 12 pin (F) connector - 30.8cm (12.1 inches) long
99	RG5-5350-000CN	Laser/scanner assembly laser cable
100	RG5-5351-000CN	Formatter assembly cable
101	RG5-5357-000CN	Feed/registration sensor assembly cable
102	RG5-5358-000CN	Duplexer cable
103	RG5-5470-000CN	Cable assembly - Has two 10 pin (F) connectors - 33.0cm (13 inches) long
104	RG5-5471-000CN	Antenna cable

**Clip**

105	RB2-4969-000CN	Registration assembly grounding clip
106	RB2-4986-000CN	Fan mounting clip

**Connector**

107	RG5-3712-000CN	Lower tray connector and cable
-----	----------------	--------------------------------

**Cover**

108	RG5-2669-050CN	Feeder cover left side
	RG5-5274-000CN	Front right side inner cover assembly

**Drive Assembly**

110	RG5-5087-000CN	Print drive gear assembly
111	RG5-5095-000CN	Delivery drive assembly

**Fan**

112	RH7-1442-000CN	Main cooling fan
-----	----------------	------------------

**Frame**

113	RG5-5072-000CN	Tray 2 upper frame assembly
114	RG5-5278-000CN	Right side tray 2 frame assembly with paper size PCB

**Gear Assembly**

115	RG5-3723-000CN	MP tray coupler gear and mounting plate
-----	----------------	---

**Guide**

116	RB1-8704-030CN	Bottom cable guide
-----	----------------	--------------------

**Hardware**

117	RB2-5013-000CN	Screw - M4 x 8.3mm
-----	----------------	--------------------

**Holder**

118	RB2-4992-000CN	Formatter board cable holder - Right side
-----	----------------	---

**Insulator**

	RB2-4975-000CN	Insulation sheet - Insulator sheet for controller board
--	----------------	---

**Laser/Scanner**

120	RB1-8699-000CN	Laser/scanner shutter
-----	----------------	-----------------------

**Lever Assembly**

121	RB2-4837-000CN	Tray size sensing lever assembly
-----	----------------	----------------------------------

**Motor**

122	RH7-1504-000CN	Main motor assembly
-----	----------------	---------------------

**Mount**

123	RB2-4996-000CN	Thermistor mount for TH3
-----	----------------	--------------------------

**Internal Components****Paper Pick-Up**

124 RG5-5084-040CN Tray 1 paper pickup assembly

**Plate**

125 RB2-5002-000CN Continuity plate

**Sensor**

126 WG8-5362-000CN Optical sensor

**Spring**

127 RB1-8702-000CN Laser shutter spring - Provides tension for laser shutter

128 RB2-4122-000CN Tray 1 hinge spring

129 RB2-4997-020CN Toner cartridge grounding spring

**Support**

130 RB2-5003-000CN Top cover left side support

**Thermistor**

131 RH7-7116-000CN Environment temperature detection thermistor - Detects ambient air temperature to determine length of time for fuser warm up.

**Tray**

132 RG5-2656-080CN Paper input tray (Tray 1) - Multi-Purpose tray assembly

**LaserJet Electronics****Laser/Scanner**

133 C8049-69005 Laser/scanner assembly  
REQUIRES RETURN OF DEFECTIVE PART

*RG5-5100-080CN New Part for C8049-69005*

**PC Board**

C4169-69001 Formatter board assembly  
REQUIRES RETURN OF DEFECTIVE PART

*C4169-67901 New Part for C4169-69001*

**Power Cord**

8120-8381 Power cord (Flint Gray) - 18 AWG, 1.8m (72 in.) long - Has 90 degree (F) receptacle (For 120V in the USA, Canada, Latin America, Korea, Taiwan, and Thailand)

**Receptacle**

136 RG5-5111-000CN AC power receptacle - Connector and housing assembly - 110VAC

137 RG5-5280-000CN AC power receptacle - Connector and housing assembly - 220VAC

**Sensor**

138 RG5-5275-000CN Registration and feed sensors assembly - Includes PS 102/103

**Switch**

139 WC4-5139-000CN Top cover interlock access switch

**Transceiver**

140 RG5-5276-000CN Toner cartridge memory transceiver assembly - Provides communication between memory controller board and toner cartridge memory

**Logic/Control Electronics****Drive (Product)**

C2985A 2.1GB hard drive - LaserJet EIO font/print job storage  
NO LONGER SUPPLIED

*C2985B New Part for C2985A*

**Logic/Control Electronics****PC Board**

142	C8049-69009	Engine controller board - Provides all power supply and motor control functions, including power switch - 110 volts - Does not include insulator sheet or bottom metal plate
143	C8049-69010	Engine controller board - Provides all power supply and motor control functions - 220 volt - Does not include insulator sheet or bottom metal plate REQUIRES RETURN OF DEFECTIVE PART  <i>RG5-5360-050CN</i> <i>New Part for C8049-69010</i>
144	RG5-2673-000CN	Feeder controller board - Paper Size detection
	RG5-5359-060CN	Engine controller board - Provides all power supply and motor control functions, including power switch - 110 volts - Does not include insulator sheet or bottom metal plate
146	RG5-6996-000CN	Cartridge memory controller board - Between ECU and the toner cartridge memory antenna

**Other Accessories****Cartridge**

C8061-67901	Black toner (EP) cartridge - With 'Micro-Fine' toner - Has standard capacity toner - Prints approximately 6,000 pages
C8061-67902	Black toner (EP) cartridge - With 'Micro-Fine' toner - Has maximum capacity toner - Prints approximately 10,000 pages

**Cleaning Supplies**

5090-3379	Toner cleaning cloth - Specially treated cloth for absorbing toner (1 per package) - Ideal for cleaning up toner spills
-----------	---

**IR Assembly**

C4103-67901	FIR pod - Fast infrared receiver - With cable that plugs into formatter board port on back of printer
-------------	---

**Manual**

5851-1891	LaserJet quick reference service guide (monochrome) - Covers the LaserJet 1000,1100,1300,2300,3300mfp,4100mfp,4200,4300,5000,5100,8150 and 9000 series printers
C8049-90925	LaserJet 4100 service manual (English)

**Tray**

C8056-69001	500-sheet tray/cassette - This is only the tray, does not include feeder or frame that tray goes into REQUIRES RETURN OF DEFECTIVE PART  <i>C8056-67901</i> <i>New Part for C8056-69001</i>
C8056A	HP LaserJet 4000/4100 500 sheet tray/cassette - Tray only, does not include feeder or frame that tray goes into

**Tray Assembly**

C8055-67901	500-sheet paper feeder and tray/cassette - This is the frame and tray that the printer sits on top of
C8055A	HP LaserJet 4100 500-sheet paper feeder and tray/cassette - This is the assembly frame and tray that the printer sits on top of

**Paper Path Parts****ADF Assembly**

C9148-69004	ADF assembly - Does not include ADF input tray
<i>RG5-6549-090CN</i>	<i>New Part for C9148-69004</i>

**Arm**

158	C8049-67904	Left side output kicker
159	RG5-5093-000CN	Delivery sensor arm assembly

**Coupler**

160	C4119-67902	Coupler kit - Contains pickup roller coupler, four paper tray load limit clips and installation instruction sheet
-----	-------------	---

**Feed Assembly**

161	RG5-5086-000CN	Paper feed assembly
-----	----------------	---------------------

**Flag**

RB2-5034-000CN	Paper sensor flag - Arm that triggers PS106
----------------	---

**Paper Path Parts****Guide**

- 163 RB2-5043-000CN Lower transfer roller guide
- 164 RG5-5083-000CN Paper feed guide assembly

**Kit**

- C8058-67903 Maintenance kit (240V) - Includes fusing assembly three separation rollers, transfer roller, three paper feed rollers, pickup roller and instruction manual
- C8058-69003 Maintenance kit (240V) - Includes fusing assembly three separation rollers, transfer roller, three paper feed rollers, pickup roller and instruction manual  
REQUIRES RETURN OF DEFECTIVE PART
- C8058-67903 *New Part for C8058-69003*

**Paper Output Unit**

- 167 RG5-5094-050CN Paper delivery assembly

**Pickup Assembly**

- 168 RG5-5277-000CN Tray 2 pickup assembly

**Roller**

- 169 RF5-3114-000CN Feed roller
- 170 RG5-5295-000CN Transfer roller assembly

**Roller Assembly**

- 171 RG5-5085-000CN Registration assembly

**Shaft**

- RB1-8867-000CN Pickup roller shaft - Shaft that the four pickup rollers mount to - Tray 2 pickup roller shaft

**Spring**

- RB2-5035-000CN Torsion spring - Provides tension for paper flag

**Pickup Assembly****Arm**

- 174 RB1-8879-000CN Paper tray sensing arm

**Hook**

- 175 RB1-2190-000CN Pick-up roller spring hook

**Roller**

- 176 RB1-8957-000CN Paper pick-up roller - 'D' roller (Sold individually)

**Spring**

- 177 RS5-2632-000CN Tension spring - Provides tension for pickup roller

**Top Cover Assembly****Control Panel**

- 178 RG5-5372-050CN Control panel - Does not include overlay

**Cover**

- 179 RG5-2663-090CN Top cover assembly - Does not include control panel

**Latch**

- 180 RB1-8846-000CN Rear output tray - Drop down release latch

**Overlay**

- C4251-40001 LaserJet 4050/4100 control panel overlay (English)
- C4251-40002 LaserJet 4050/4100 control panel overlay (French)
- C4251-40003 LaserJet 4050/4100 control panel overlay (Italian)
- C4251-40004 LaserJet 4050/4100 control panel overlay (Portuguese)
- C4251-40005 LaserJet 4050/4100 control panel overlay (Norwegian)



**Top Cover Assembly****Overlay**

C4251-40006	LaserJet 4050/4100 control panel overlay (Hungarian)
C4251-40007	LaserJet 4050/4100 control panel overlay (Swedish)
C4251-40008	LaserJet 4050/4100 control panel overlay (Polish)
C4251-40009	LaserJet 4050/4100 control panel overlay (Russian)
C4251-40010	LaserJet 4050/4100 control panel overlay (Czechoslovakian)
C4251-40011	LaserJet 4050/4100 control panel overlay (Korean)
C4251-40012	LaserJet 4050/4100 control panel overlay (Simplified Chinese)
C4251-40013	LaserJet 4050/4100 control panel overlay (Traditional Chinese)
C4251-40014	LaserJet 4050/4100 control panel overlay (German)
C4251-40015	LaserJet 4050/4100 control panel overlay (Spanish)
C4251-40016	LaserJet 4050/4100 control panel overlay (Danish)
C4251-40017	LaserJet 4050/4100 control panel overlay (Dutch)
C4251-40018	LaserJet 4050/4100 control panel overlay (Greek)
C4251-40019	LaserJet 4050/4100 control panel overlay (Finnish)
C4251-40020	LaserJet 4050/4100 control panel overlay (Turkish)
C4251-40021	LaserJet 4050/4100 control panel overlay (Hebrew)
C4251-40022	LaserJet 4050/4100 control panel overlay (Arabic)
C4251-40023	LaserJet 4050/4100 control panel overlay (Japanese)
C4251-40024	LaserJet 4050/4100 control panel overlay (Thailand)

**Panel**

205	RB1-8841-000CN	Toner cartridge access panel
-----	----------------	------------------------------

**Spring**

206	RB1-8847-000CN	Rear tray latch release spring
-----	----------------	--------------------------------

**Tray 1 Pickup Assembly****Arm**

207	RB1-8787-000CN	Tray 1 paper sensor actuator arm NO LONGER SUPPLIED
	RF5-3116-000CN	New Part for RB1-8787-000CN

208	RB2-2387-000CN	Tray 1 retaining arm
-----	----------------	----------------------

**Cover**

209	RB2-5019-000CN	Gear cover on right side of tray 1 pickup assembly
210	RB2-5037-000CN	Envelope feeder cover

**Pad**

211	RF5-3086-000CN	Separation pad for tray 1 pickup assembly
-----	----------------	---

**Roller**

212	RG5-3718-000CN	Tray 1 pickup roller assembly
-----	----------------	-------------------------------

**Sensor**

213	WG8-5362-000CN	Optical sensor
-----	----------------	----------------

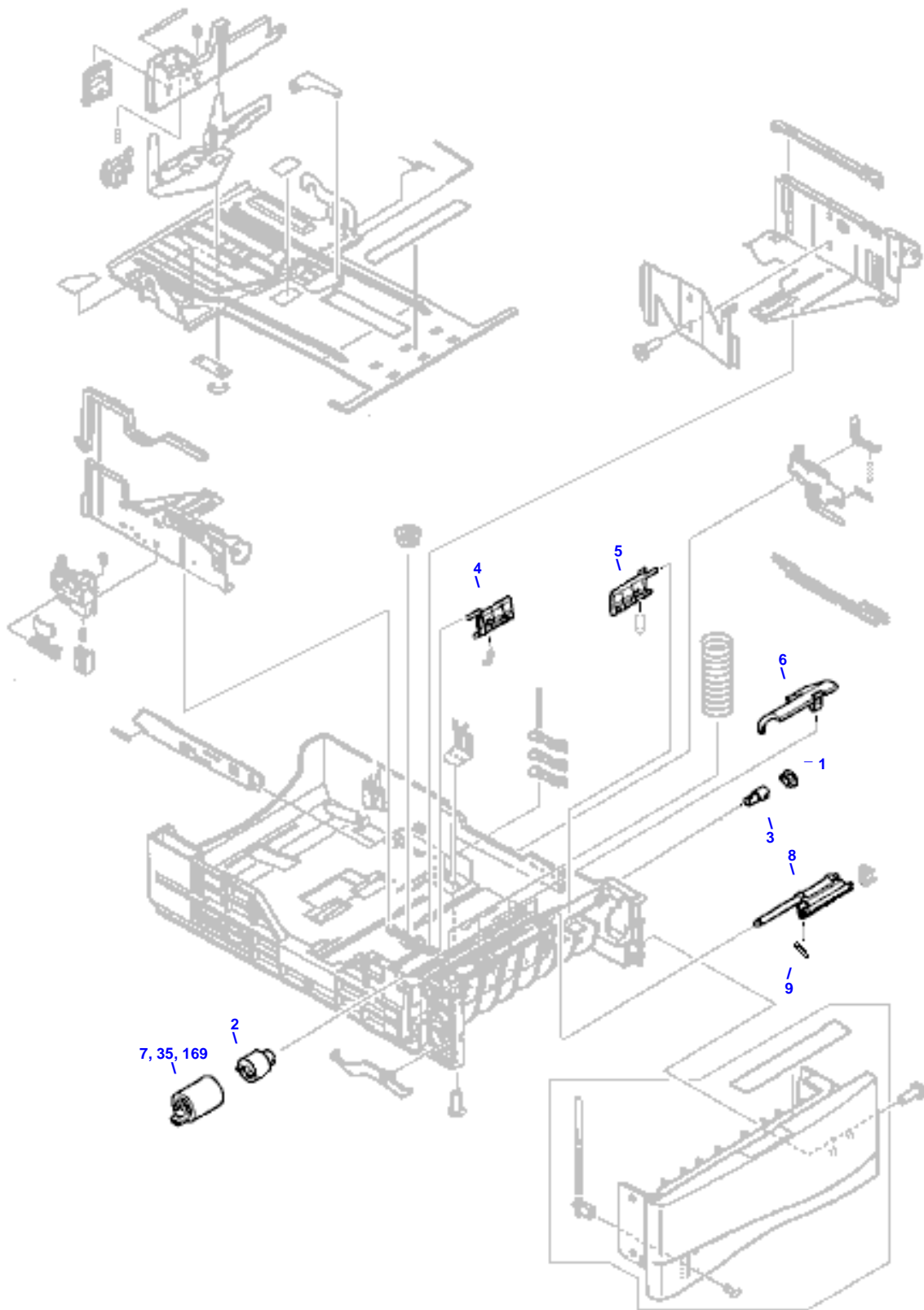
**Sensor Mechanism**

	RF5-3116-000CN	Tray 1 paper sensor actuator arm and cover assembly
--	----------------	---

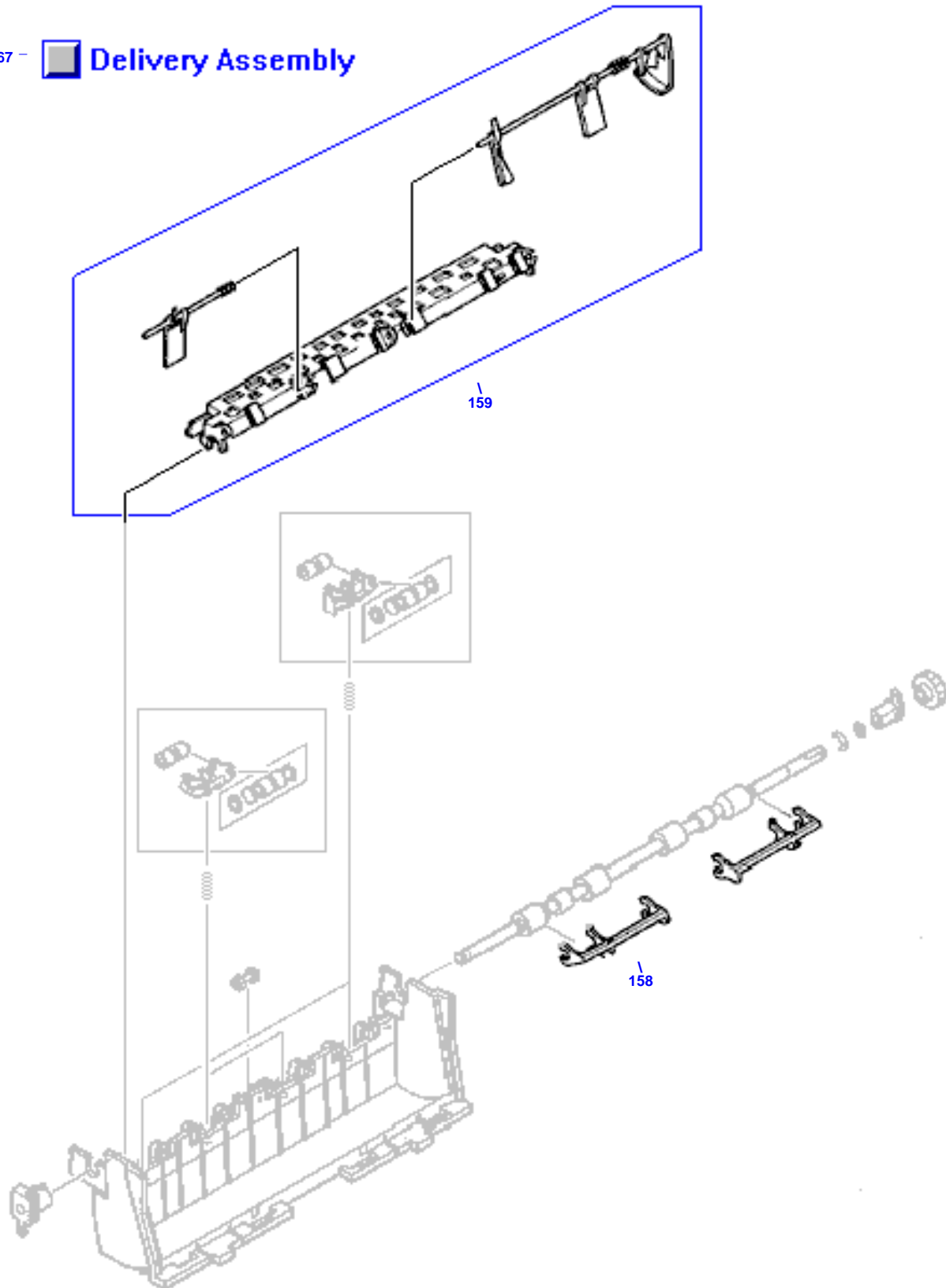
**Solenoid**

215	RH7-5172-000CN	Tray 1 paper pickup drive solenoid
-----	----------------	------------------------------------

500 Sheet Tray

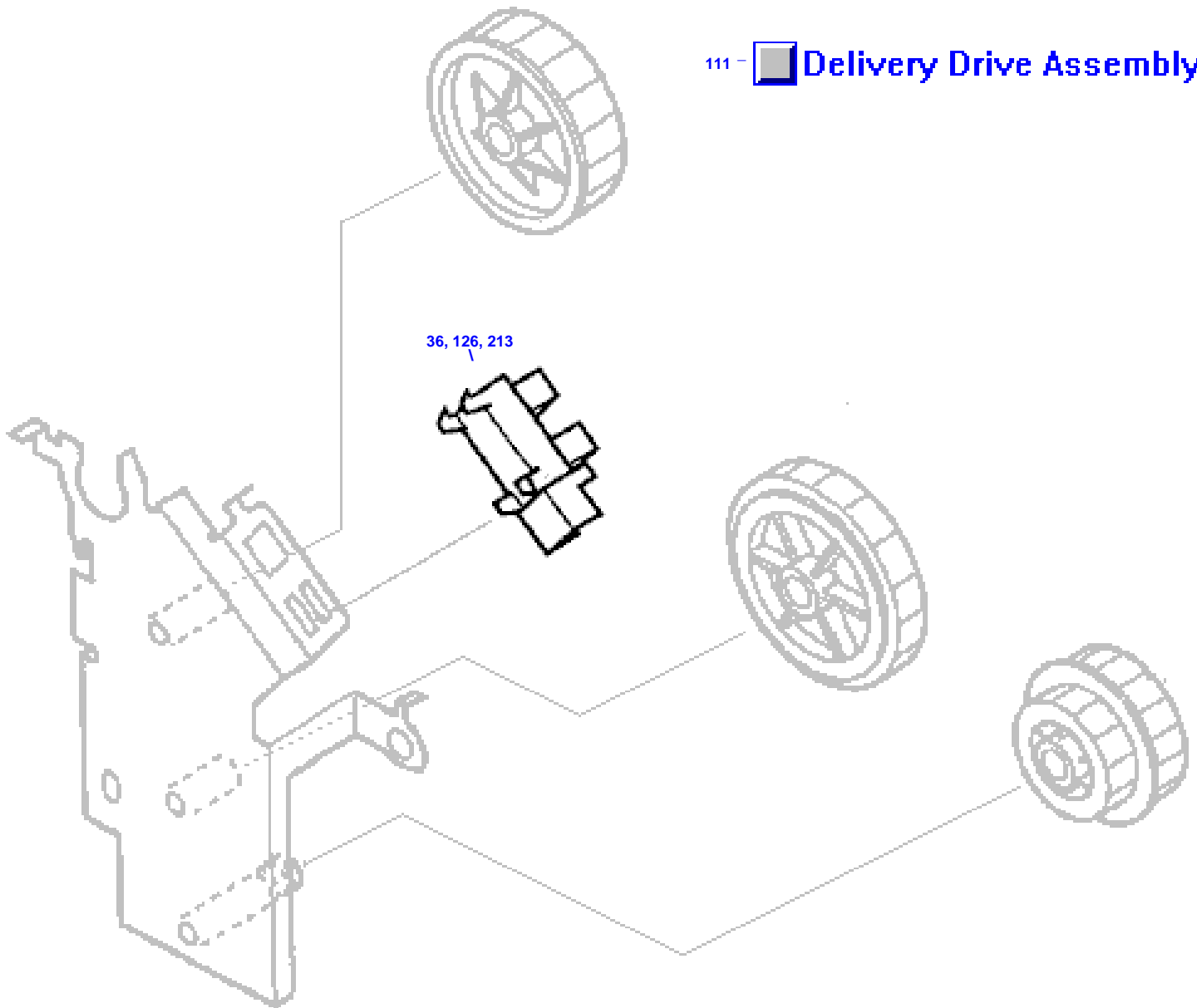


## Delivery Assembly

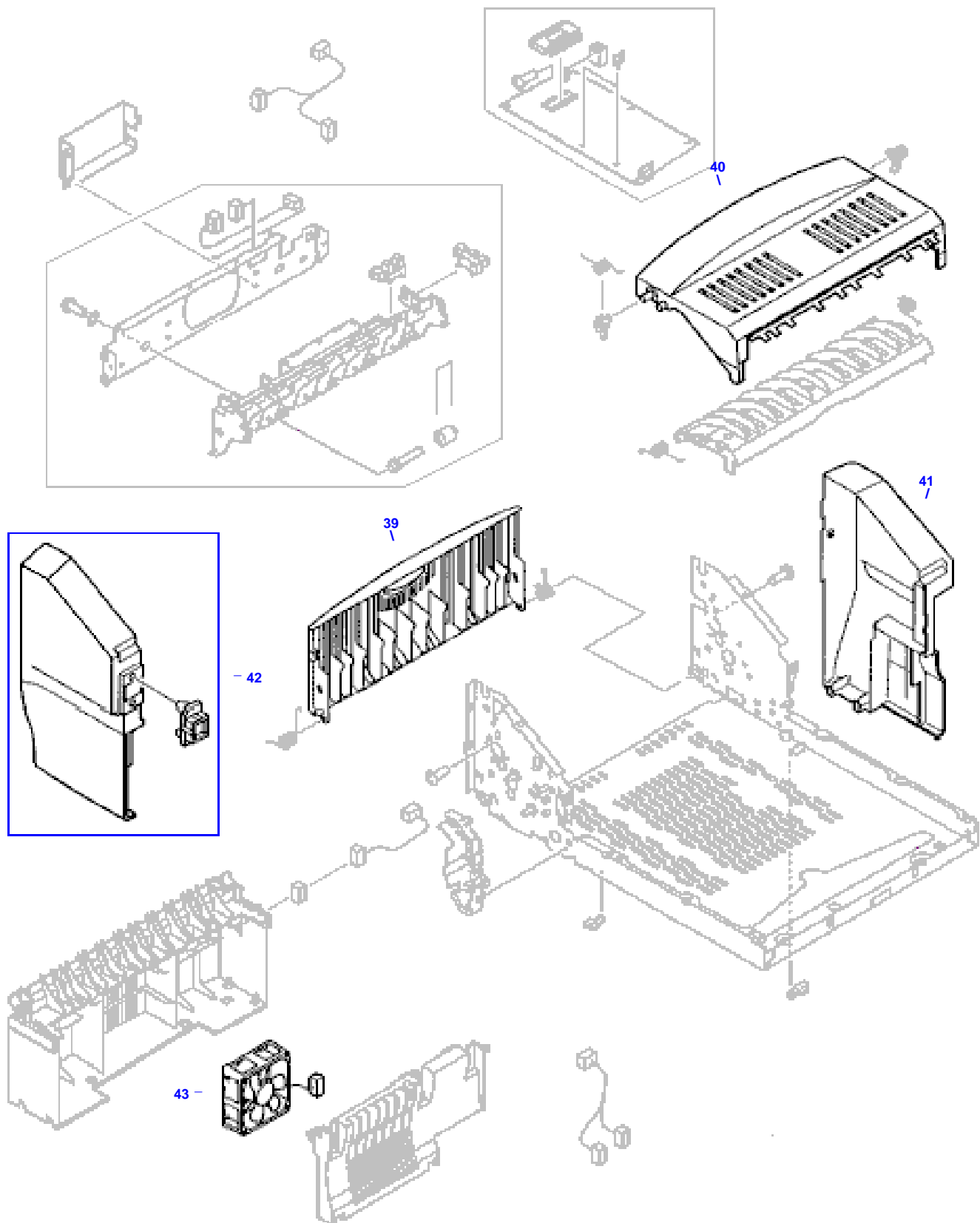
167 -  Delivery Assembly

Delivery Drive Assembly

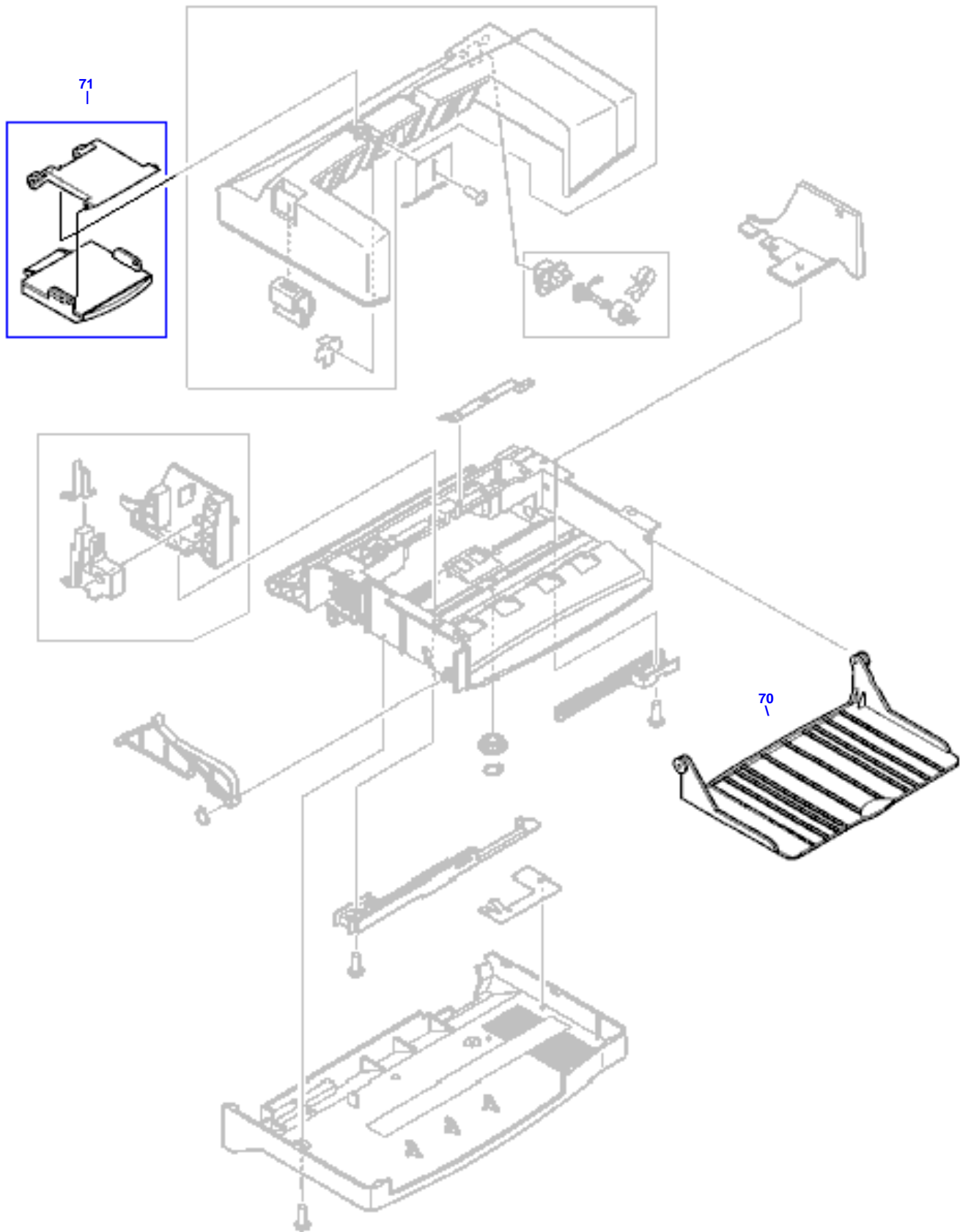
111 -  Delivery Drive Assembly



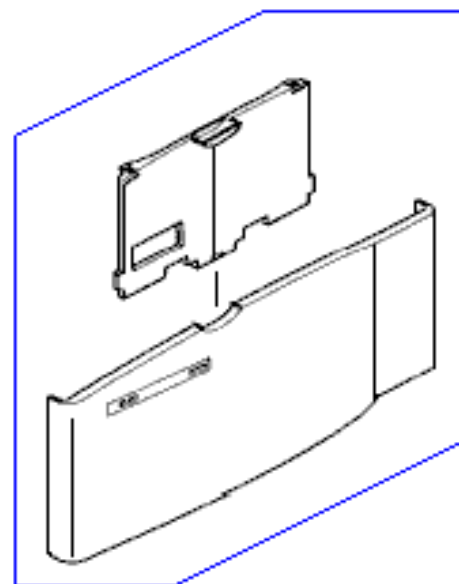
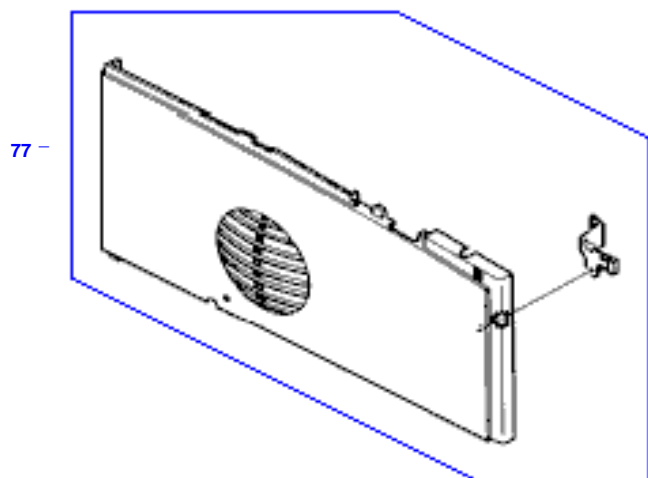
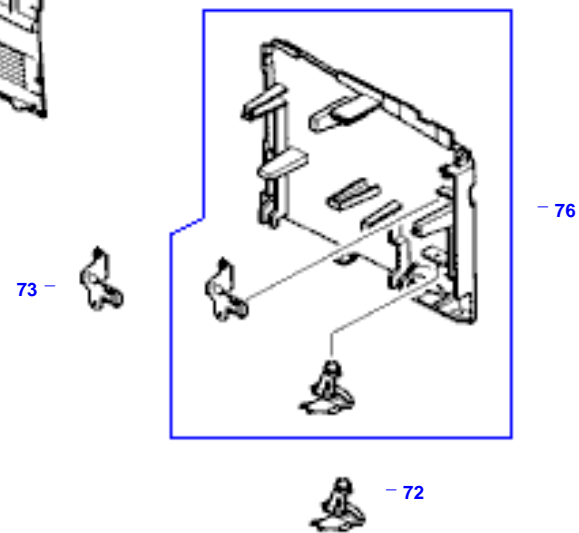
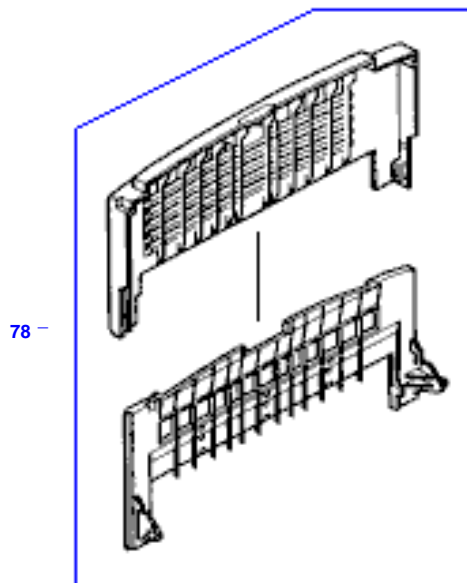
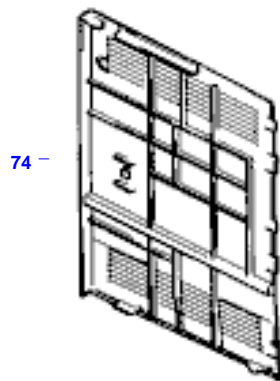
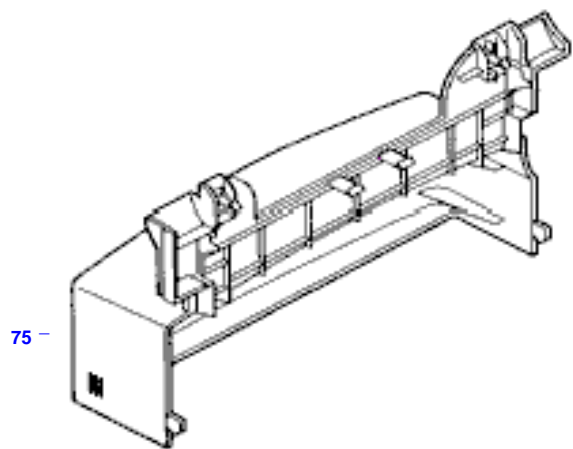
## Duplexer



Envelope Feeder

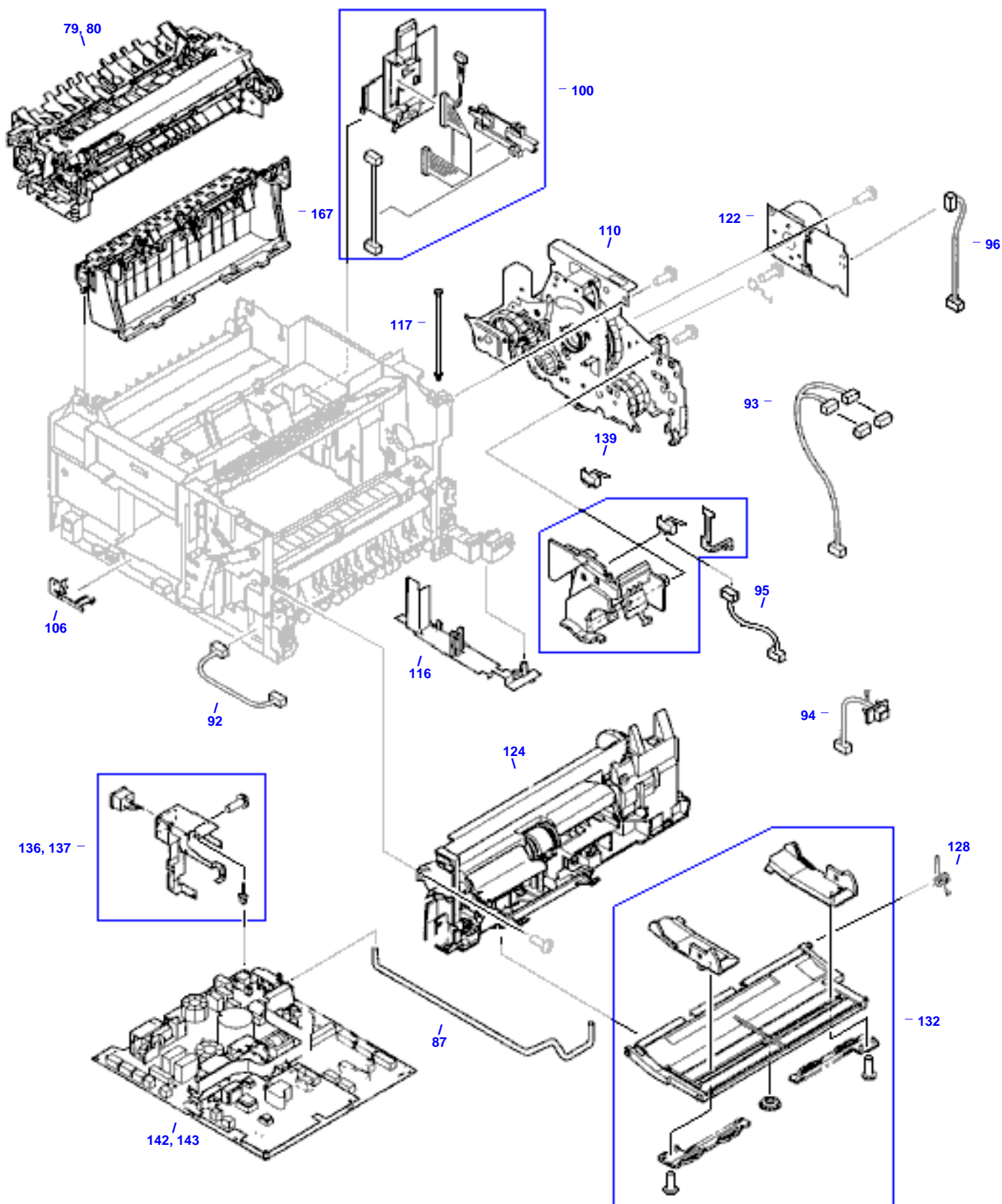


## External Covers and Panels



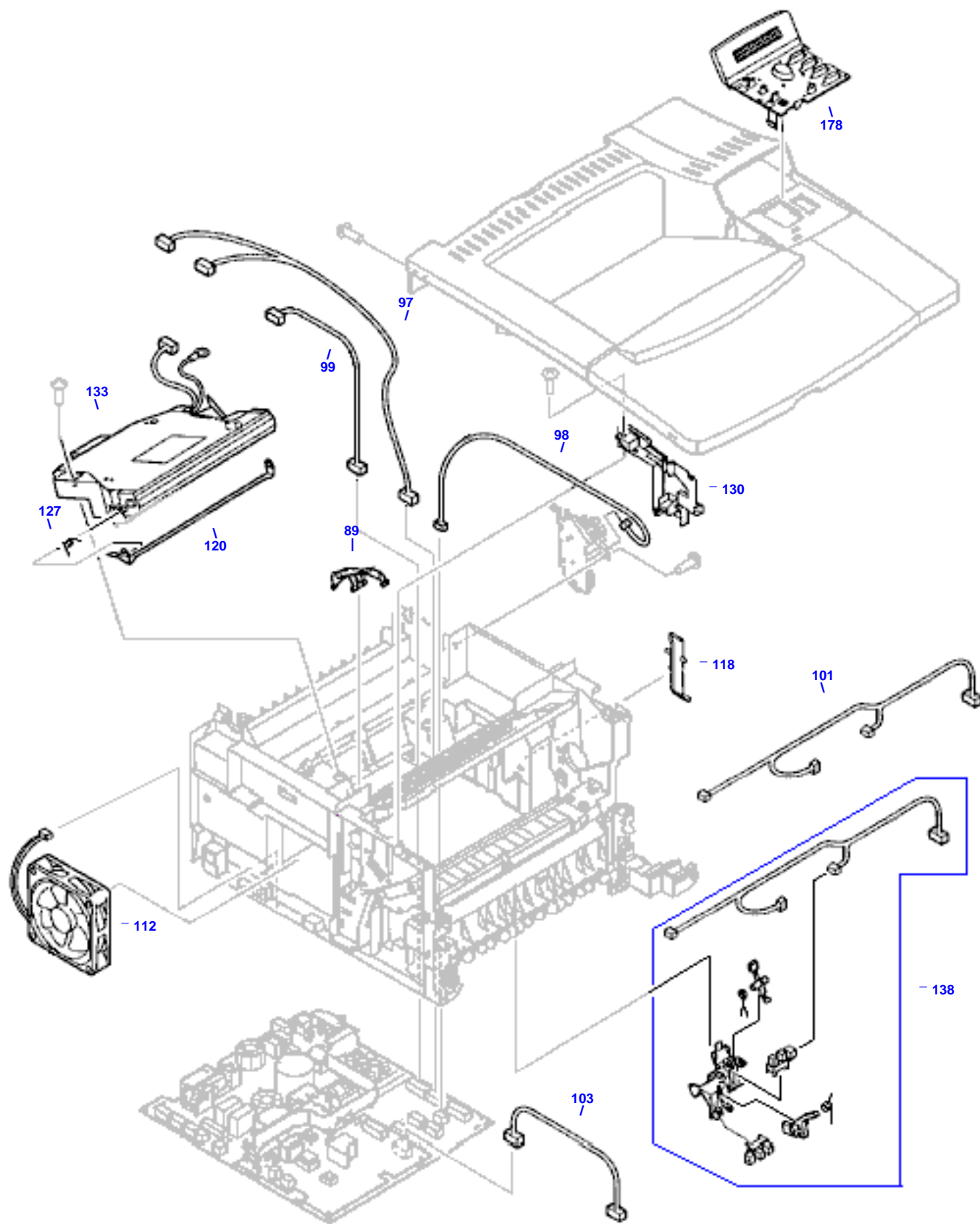


Internal Components (1 of 4)

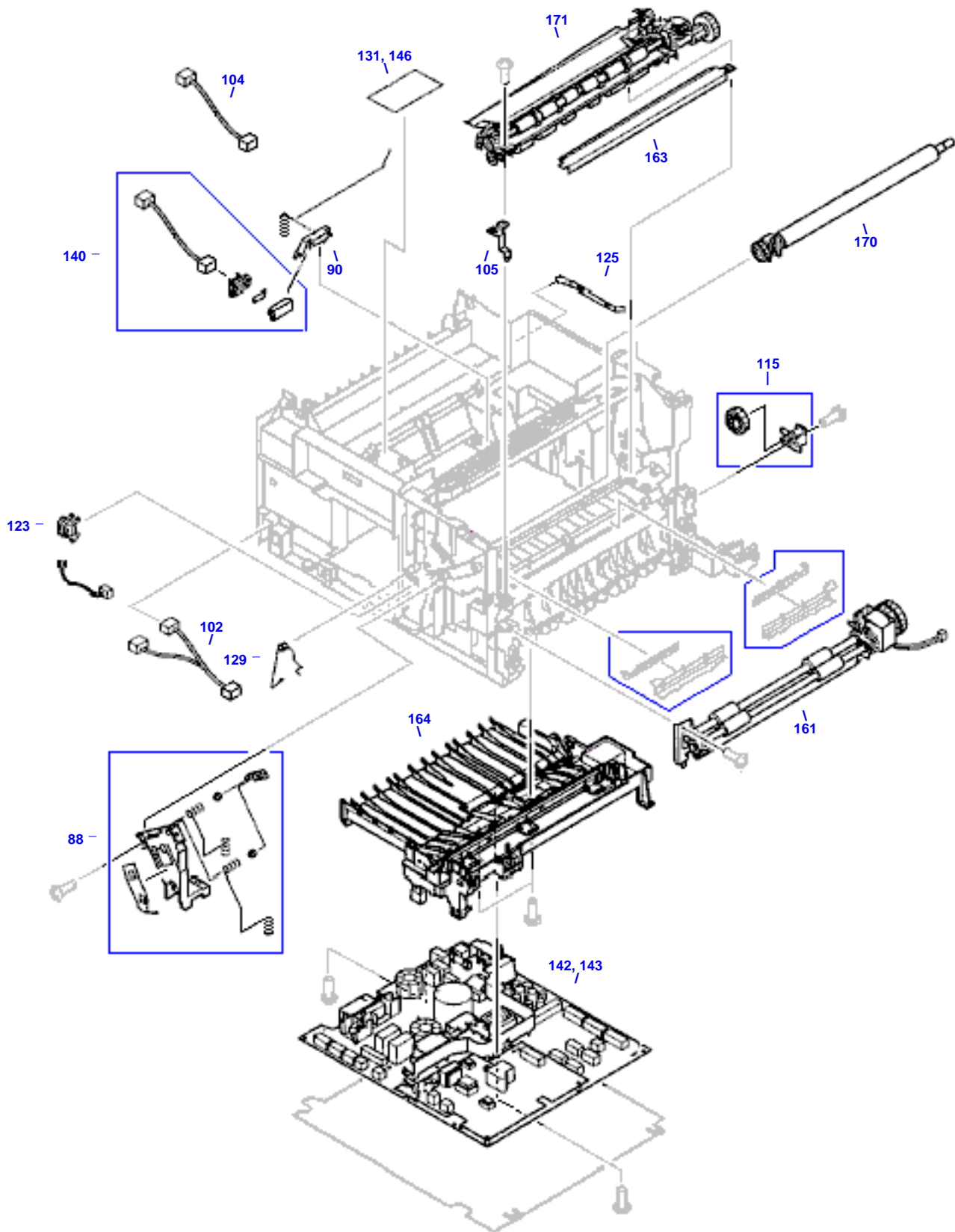




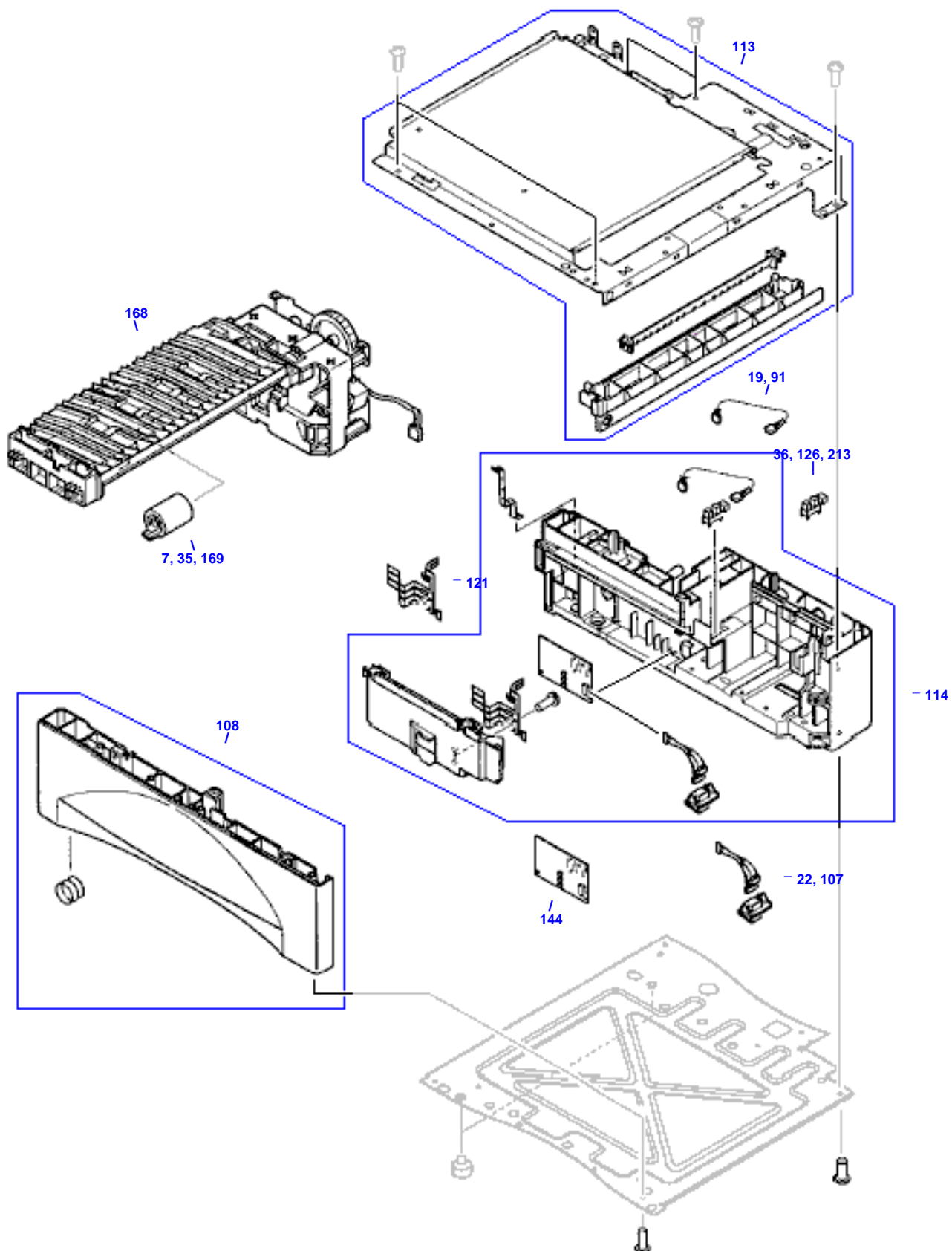
Internal Components (2 of 4)



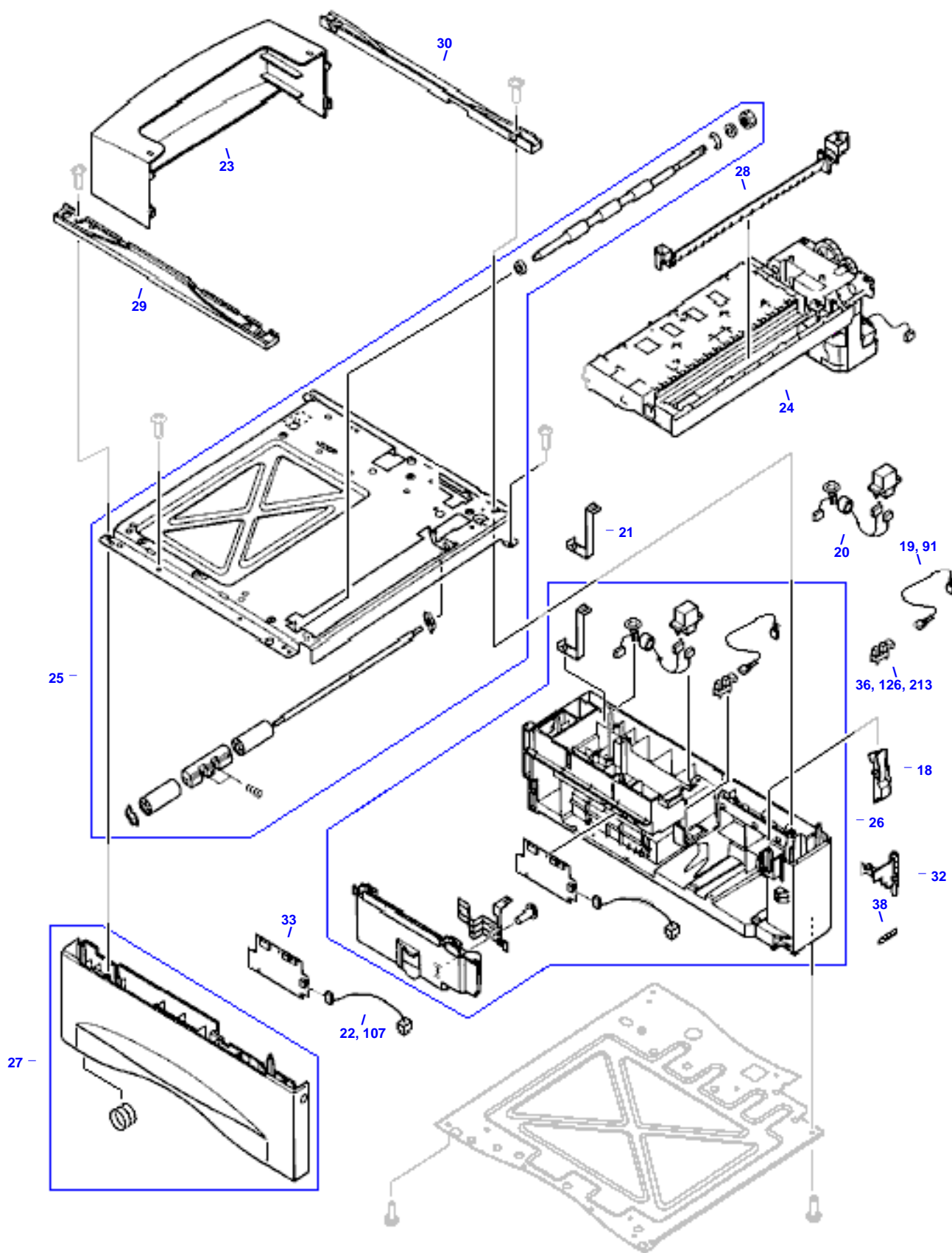
## Internal Components (3 of 4)



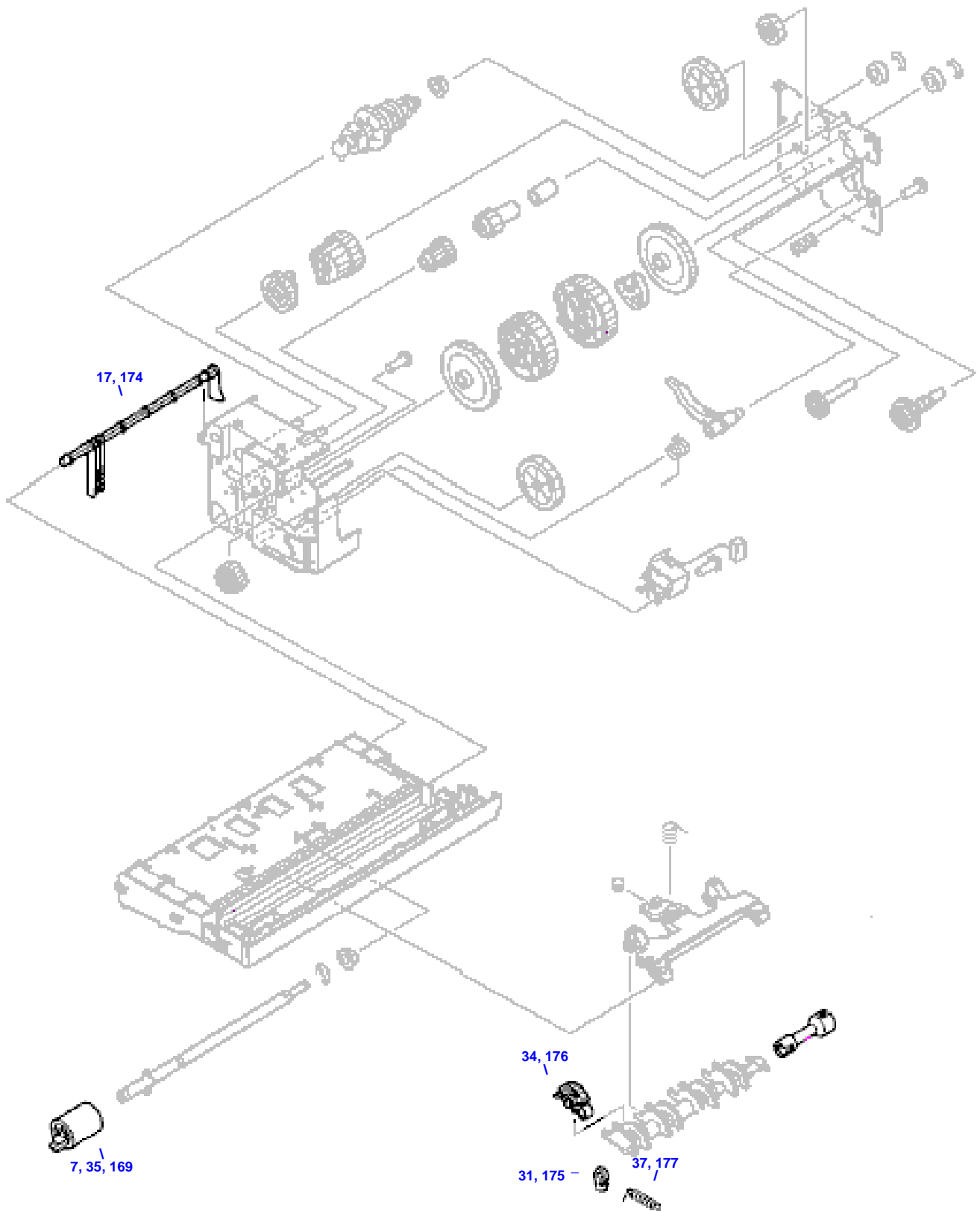
## Internal Components (4 of 4)



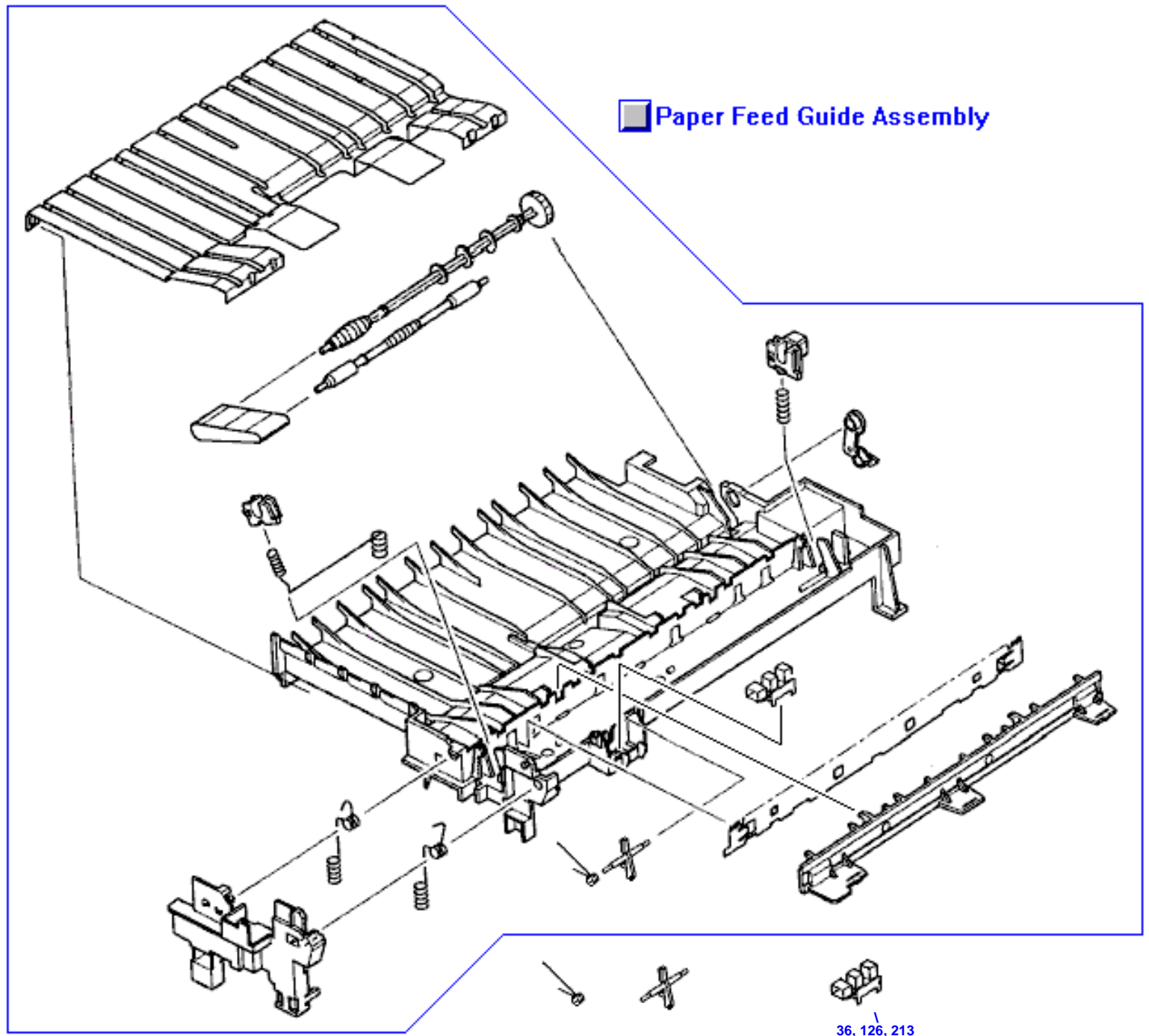
Optional 500 Sheet Feeder



## Optional 500 Sheet Pickup Assembly

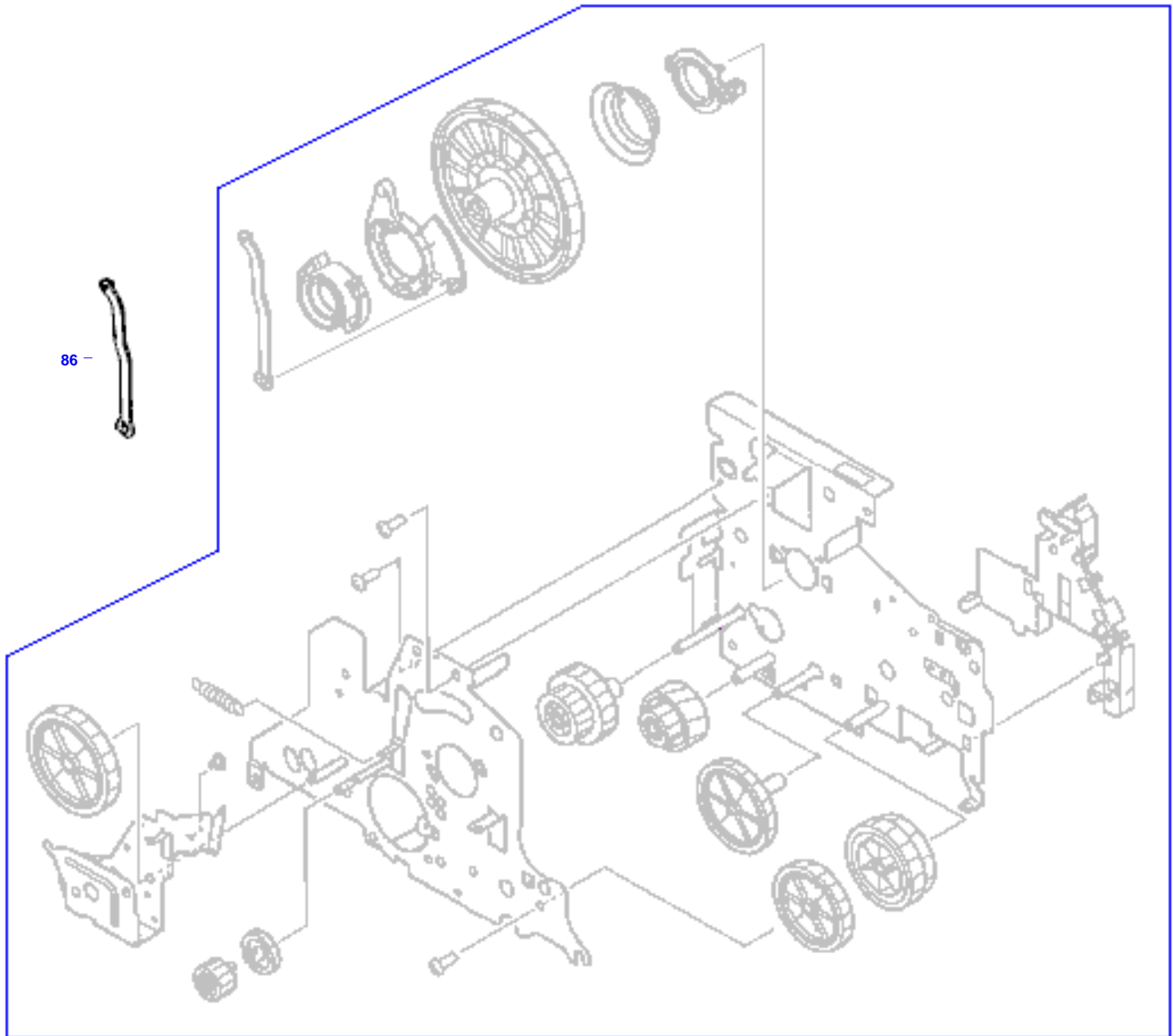


## Paper Feed Guide Assembly



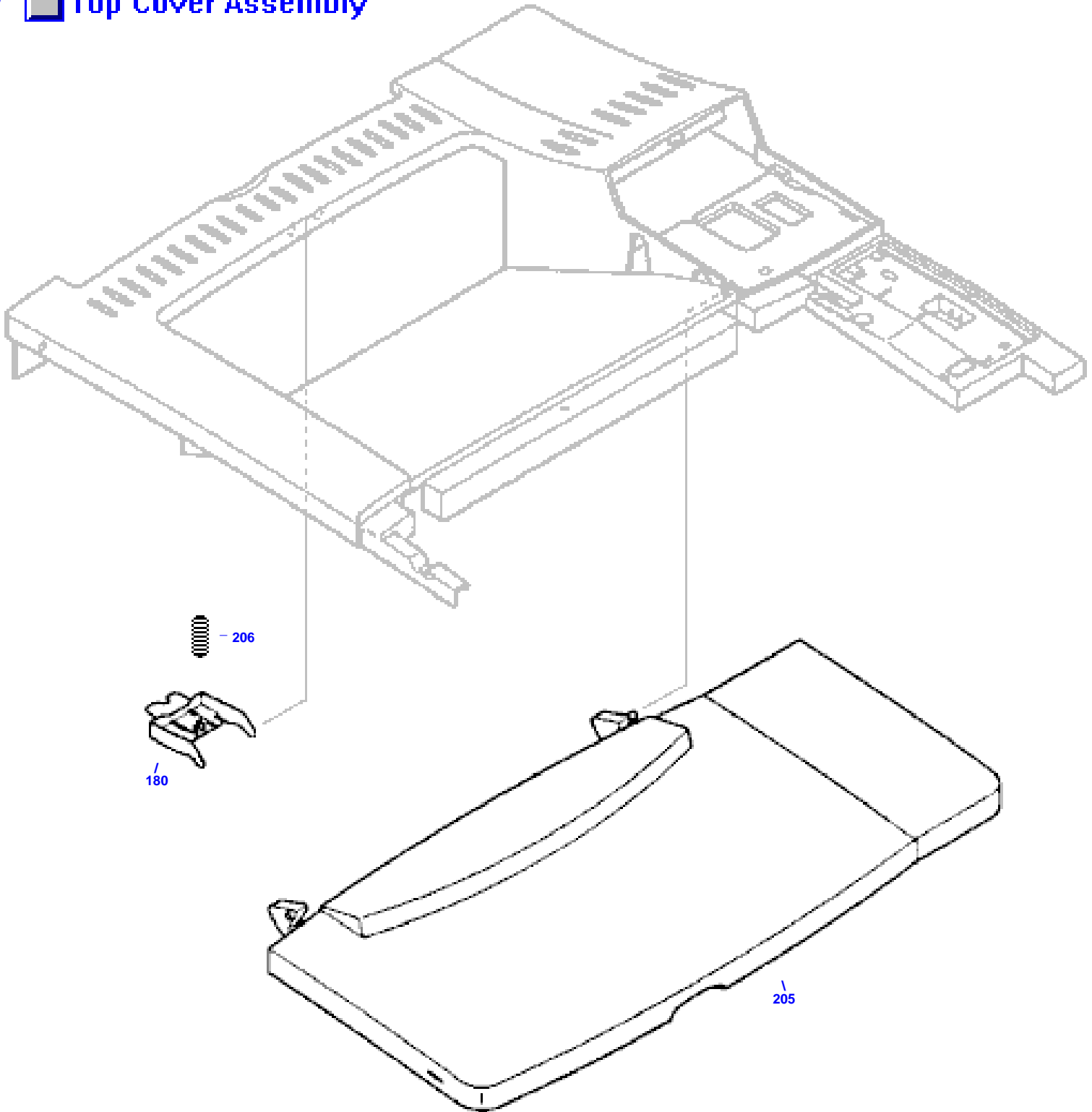
Printer Drive Assembly

110  Printer Drive Assembly



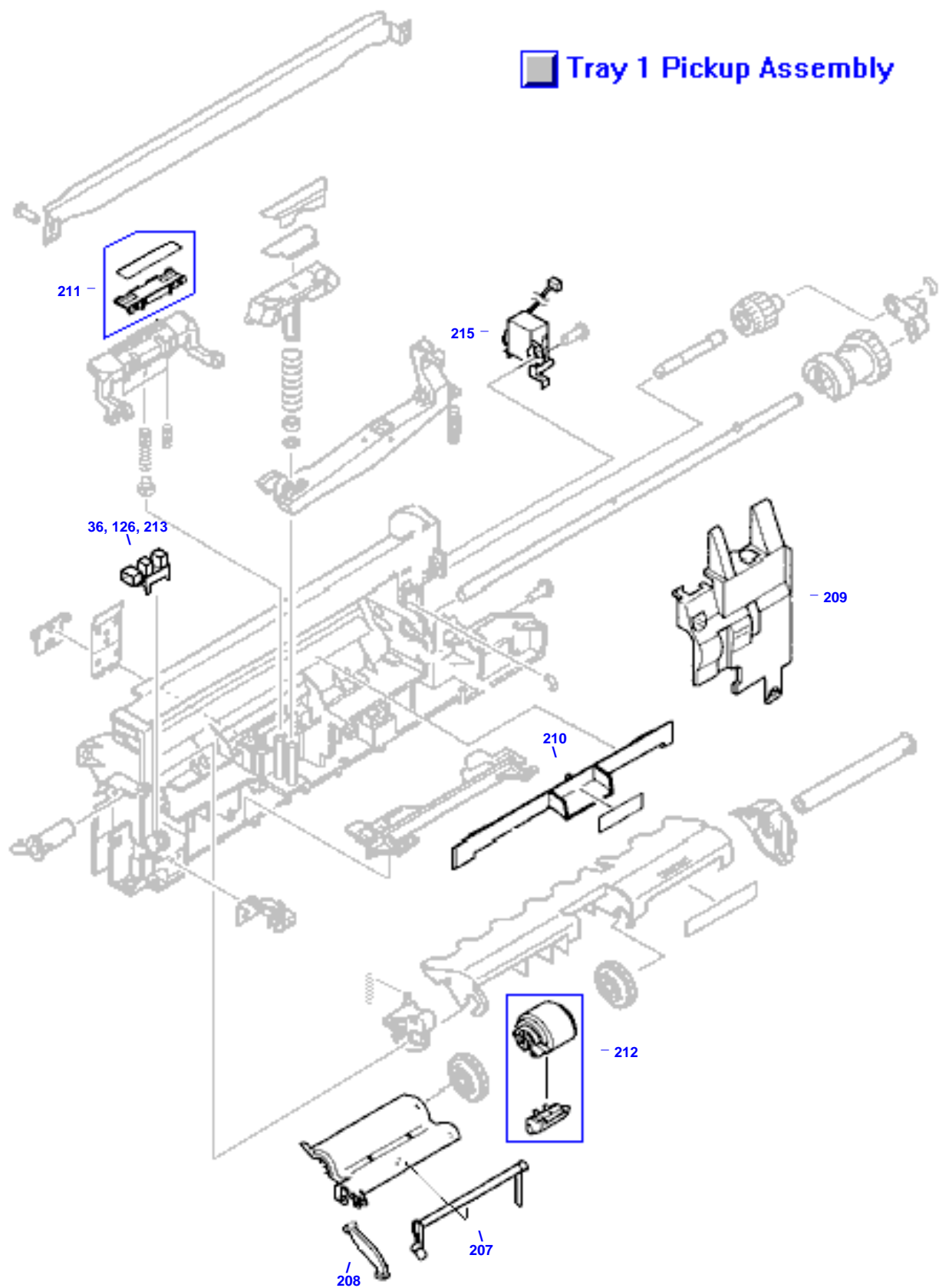
Top Cover Assembly

179 -  Top Cover Assembly




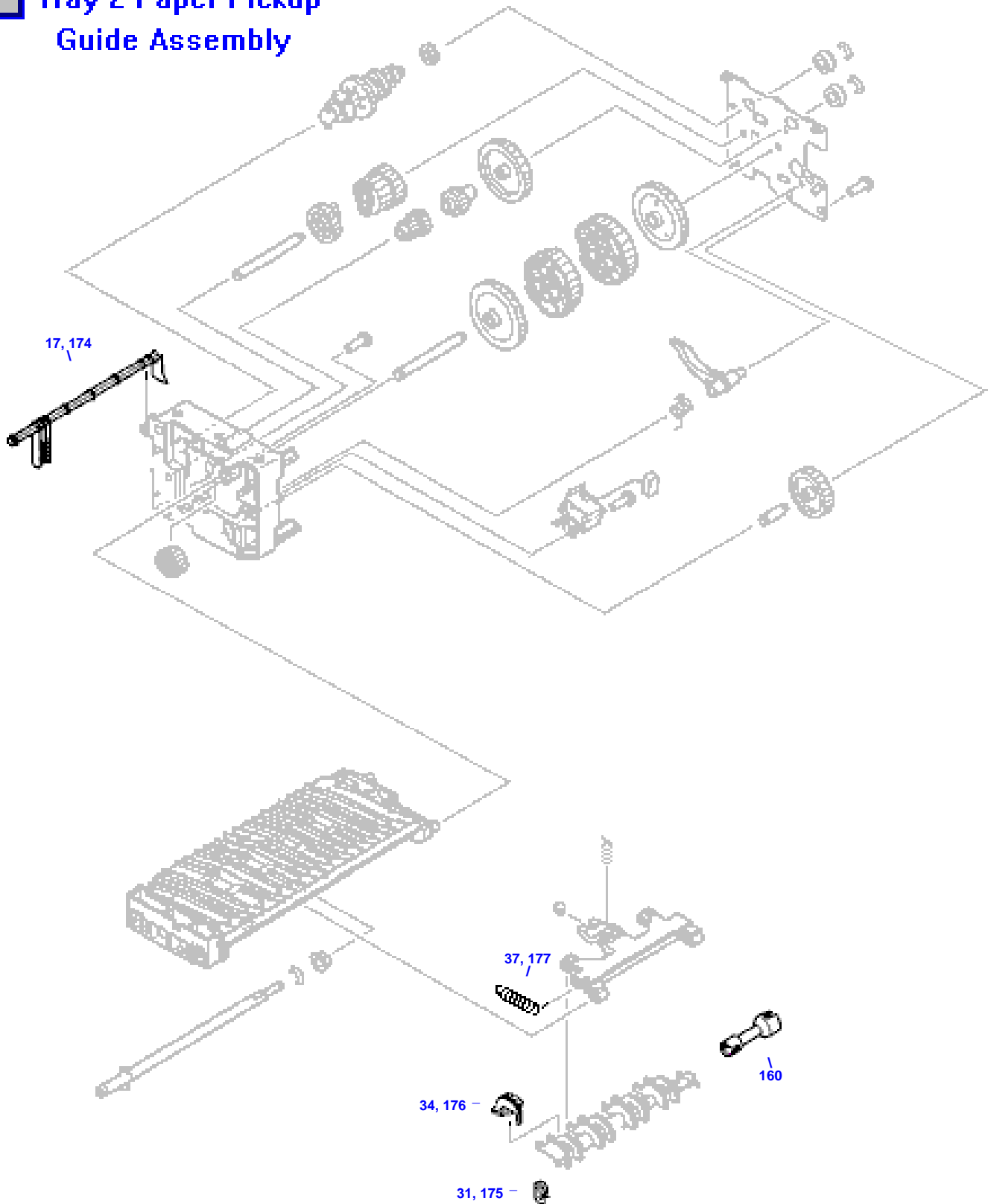


Tray 1 Pickup Assembly



Tray 2 Pickup Assembly

168 -  Tray 2 Paper Pickup Guide Assembly



**HP Parts Reference Guide**

<http://www.hp.com/go/parts>

**HP PartSurfer**

<http://partsurfer.hp.com>

**HP Parts Ordering Information**

<http://www.hp.com/go/hpparts>

**HP Parts Questions/Comments**

<http://partsurfer.hp.com/contactus.htm>