

# LBP-660

## PARTS CATALOG

REVISION 1

**Canon**

AUG. 1998

**RY8-31AK-010**

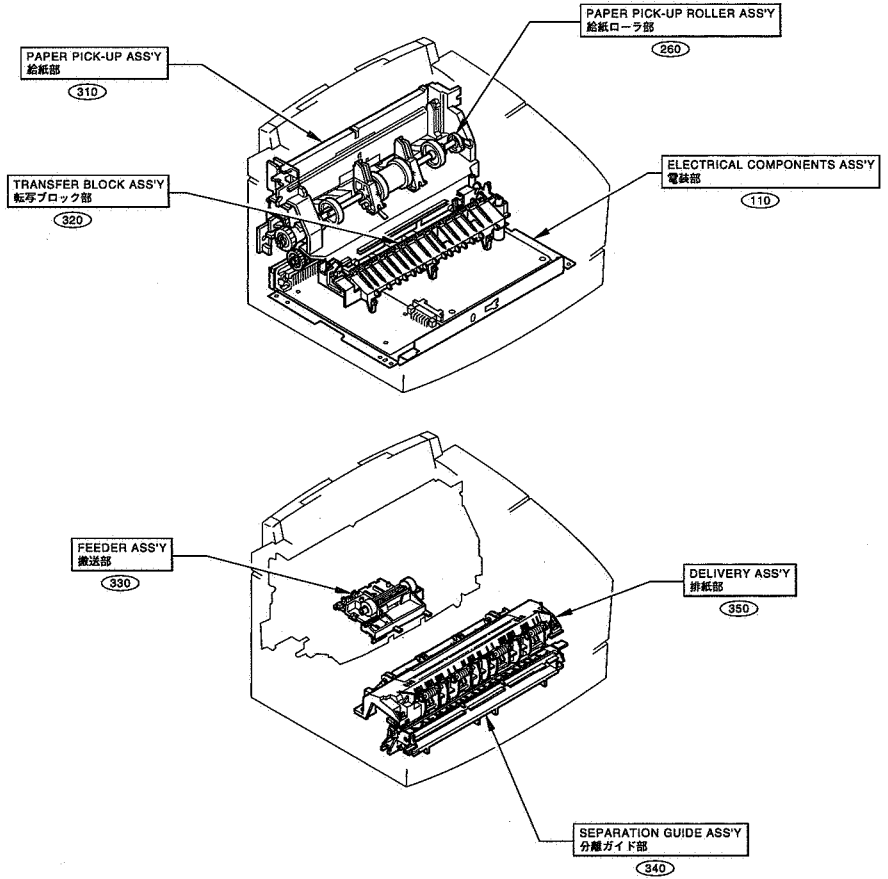
# LIST OF ORDER AND SERIAL NUMBERS

オーダーナンバー／シリアルナンバー一覧表

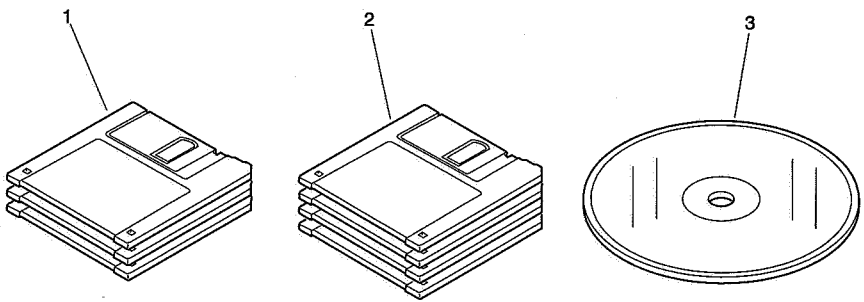
| NAME                 | REMARKS                 | ORDER No.    | SERIAL No. |
|----------------------|-------------------------|--------------|------------|
| LBP-660              | 100-120V 50/60Hz 600DPI | R72-5064-000 | JHL00001-  |
|                      |                         | R72-5064-001 |            |
|                      | 220-240V 60Hz 600DPI    | R72-5058-000 | KJE00001-  |
|                      |                         | R72-5058-006 |            |
|                      | 220-240V 60Hz 600DPI    | R72-5058-001 | KJF00001-  |
|                      |                         | R72-5058-007 |            |
|                      | 220-240V 60Hz 600DPI    | R72-5058-002 | KJG00001-  |
|                      |                         | R72-5058-008 |            |
|                      | 220-240V 60Hz 600DPI    | R72-5058-003 | KJH00001-  |
|                      |                         | R72-5058-009 |            |
|                      | 220-240V 60Hz 600DPI    | R72-5058-004 | KIJ00001-  |
|                      |                         | R72-5058-010 |            |
|                      | 220-240V 60Hz 600DPI    | R72-5058-005 | KJL00001-  |
|                      |                         | R72-5058-011 |            |
|                      | 100-120V 50/60Hz 600DPI | R72-5094-000 | JHM00001-  |
|                      |                         | R72-5094-001 |            |
| 220-240V 60Hz 600DPI | R72-5068-000            | KJK00001-    |            |
|                      | R72-5068-001            |              |            |

# FIGURE A

## ASSEMBLY LOCATION DIAGRAM 主要部品配置図

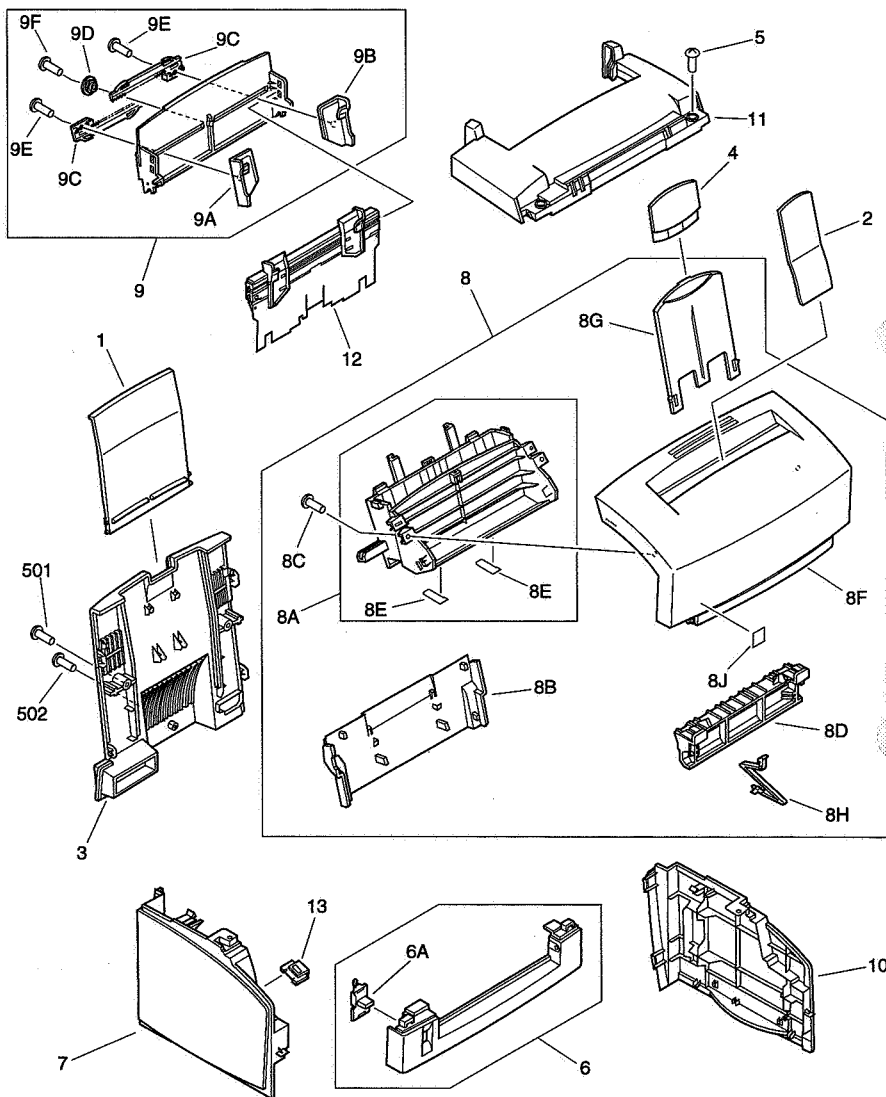


# FIGURE 001    DISK UNIT ディスクユニット



| FIGURE & KEY NO. | PART NUMBER  | RANK | QTY | DESCRIPTION                    | SERIAL NUMBER / REMARKS |
|------------------|--------------|------|-----|--------------------------------|-------------------------|
| 001 -            | NPN          |      | RF  | DISK UNIT                      |                         |
| 1                | RG1-3946-000 |      | 1   | 3.5"FD, PRINTER DRIVER (3/SET) | ENGLISH (DEFAULT A4)    |
|                  | RG1-3746-000 |      | 1   | 3.5"FD, PRINTER DRIVER (3/SET) | ENGLISH (DEFAULT LTR)   |
|                  | RG1-3948-000 |      | 1   | 3.5"FD, PRINTER DRIVER (3/SET) | GERMAN                  |
|                  | RG1-3949-000 |      | 1   | 3.5"FD, PRINTER DRIVER (3/SET) | FRENCH                  |
| 2                | RG1-3947-000 |      | 1   | 3.5"FD, PRINTER DRIVER (4/SET) | ENGLISH (DEFAULT A4)    |
|                  | RG1-3945-000 |      | 1   | 3.5"FD, PRINTER DRIVER (4/SET) | ENGLISH (DEFAULT LTR)   |
|                  | RG1-3950-000 |      | 1   | 3.5"FD, PRINTER DRIVER (4/SET) | CHINESE                 |
|                  | RG1-3951-000 |      | 1   | 3.5"FD, PRINTER DRIVER (4/SET) | TAIWANESE               |
| 3                | RG1-3929-000 |      | 1   | CD-ROM, PRINTER DRIVER         | EUROPE                  |
| -----            |              |      |     |                                |                         |
|                  |              |      |     |                                |                         |
| -----            |              |      |     |                                |                         |
|                  |              |      |     |                                |                         |
| -----            |              |      |     |                                |                         |

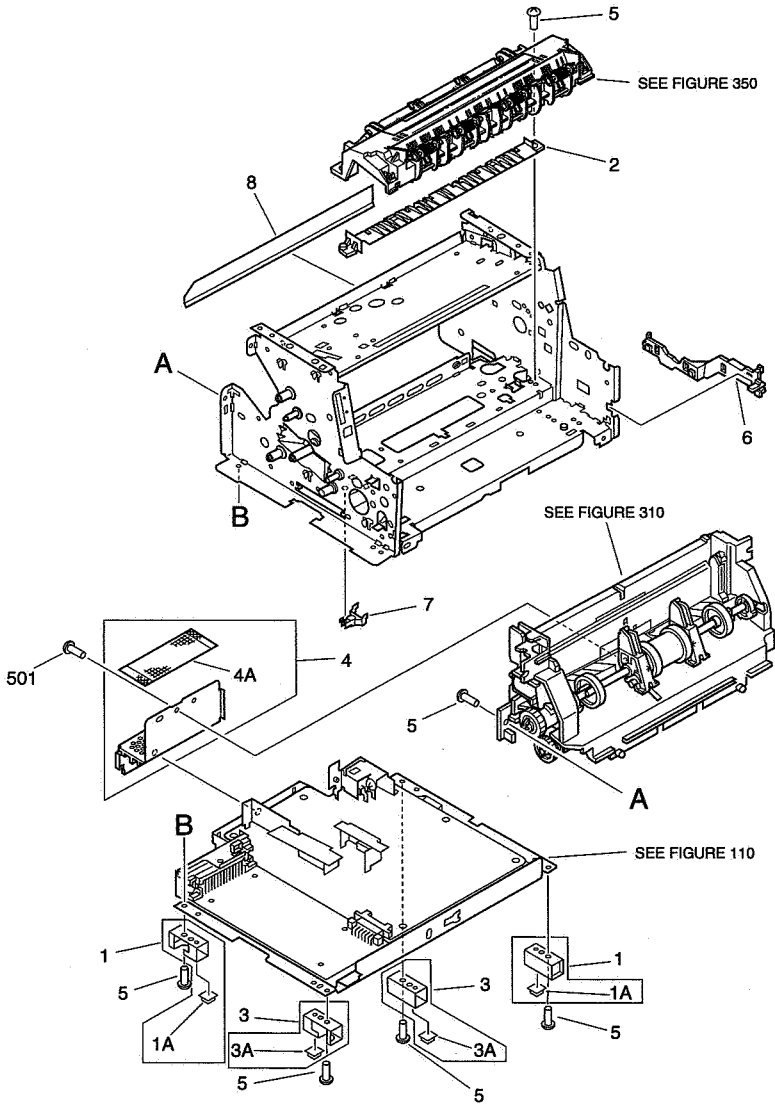
**FIGURE 100** EXTERNAL COVERS, PANELS, ETC.  
外装カバー



| FIGURE & KEY NO. | PART NUMBER  | RANK | QTY | DESCRIPTION                      | SERIAL NUMBER / REMARKS |
|------------------|--------------|------|-----|----------------------------------|-------------------------|
| 100 -            | NPN          |      | RF  | EXTERNAL COVERS, PANELS, ETC.    |                         |
| 1                | RB1-8158-000 |      | 1   | TRAY, FEED, SUB, D               |                         |
| 2                | RB1-8423-000 |      | 1   | PLATE, PAPER SUPPORT             |                         |
| 3                | RB1-8159-030 |      | 1   | COVER, REAR, D                   |                         |
| 4                | RB2-2418-000 |      | 1   | TRAY, LGL                        |                         |
| 5                | XA9-0724-000 |      | AR  | SCREW, M3X8                      |                         |
| 6                | RG5-2565-000 |      | 1   | FRONT COVER ASS'Y                |                         |
| 6A               | RB1-8412-000 |      | 1   | LEVER, CHANGE                    |                         |
| 7                | RB1-8163-000 |      | 1   | COVER, LEFT                      |                         |
| 8                | RG5-3746-030 |      | 1   | CARTRIDGE COVER ASS'Y            |                         |
| 8A               | RG5-3750-000 |      | 1   | PAPER DELIVERY GUIDE ASS'Y       |                         |
| 8B               | RB1-8414-030 |      | 1   | DUCT                             |                         |
| 8C               | XA9-0691-000 |      | 2   | SCREW, SELF TAPPING, M3X8        |                         |
| 8D               | RB2-2416-000 |      | 1   | GUIDE, FACE DOWN DELIVERY        |                         |
| 8E               | RB2-2419-000 |      | 2   | SHEET, FACE DOWN                 |                         |
| 8F               | RB2-2424-020 |      | 1   | COVER, CARTRIDGE                 |                         |
| 8G               | RB1-8413-000 |      | 1   | TRAY, PAPER DELIVERY, SUB        |                         |
| 8H               | RB1-8415-000 |      | 1   | STOPPER, CRG                     |                         |
| 8J               | RS5-8708-000 |      | 1   | LABEL, "WINDOWS"                 |                         |
| 9                | RG5-2563-050 |      | 1   | MULTI PURPOSE TRAY ASS'Y         |                         |
| 9A               | RB1-8155-000 |      | 1   | GUIDE, SLIDE, LEFT               |                         |
| 9B               | RB1-8156-000 |      | 1   | GUIDE, SLIDE, RIGHT              |                         |
| 9C               | RB2-1705-000 |      | 2   | RACK                             |                         |
| 9D               | RB9-0265-000 |      | 1   | GEAR, 16T                        |                         |
| 9E               | FA9-2597-000 |      | 2   | SCREW                            |                         |
| 9F               | XB4-7300-607 |      | 1   | SCREW, TAPPING, TRUSS HEAD, M3X6 |                         |
| 10               | RB1-8164-030 |      | 1   | COVER, RIGHT                     |                         |
| 11               | RB2-2415-000 |      | 1   | COVER, UPPER                     |                         |
| 12               | RG5-3756-000 |      | 1   | MANUAL FEED TRAY ASS'Y           |                         |
| 13               | RB1-8171-000 |      | 1   | COVER, LEVER                     |                         |
| 501              | XB4-7401-007 |      | 2   | SCREW, TAPPING, PAN HEAD, M4X10  |                         |
| 502              | XB6-7300-807 |      | 1   | SCREW, TP, M3X8                  |                         |

# FIGURE 101

## INTERNAL COMPONENTS 1 本体機械内部 (1)

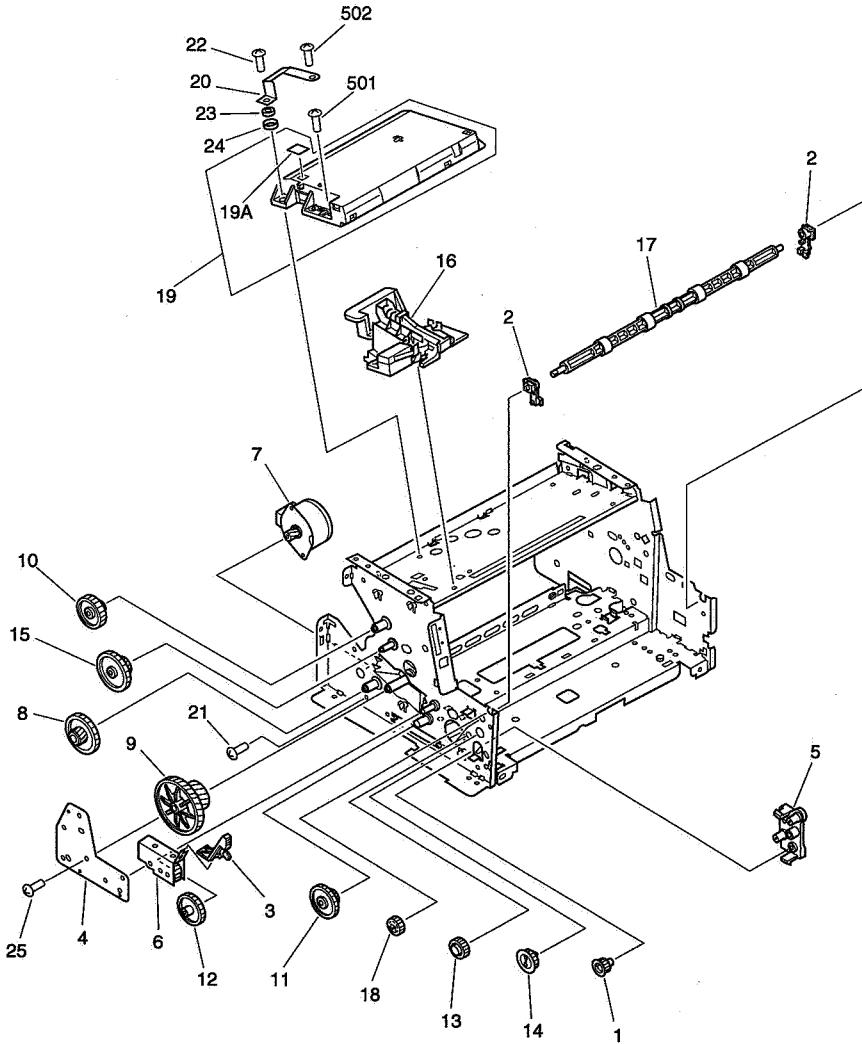


| FIGURE & KEY NO. | PART NUMBER  | RANK | QTY | DESCRIPTION                  | SERIAL NUMBER / REMARKS |
|------------------|--------------|------|-----|------------------------------|-------------------------|
| 101 -            | NPN          |      | RF  | INTERNAL COMPONENTS 1        |                         |
| 1                | RF5-1707-000 |      | 2   | LEG, 1                       |                         |
| 1A               | RB1-7307-000 |      | 1   | FOOT                         |                         |
| 2                | RB1-7247-000 |      | 1   | GUIDE, PAPER                 |                         |
| 3                | RF5-1708-000 |      | 2   | LEG, 2                       |                         |
| 3A               | RB1-7307-000 |      | 1   | FOOT                         |                         |
| 4                | RF5-1509-000 |      | 1   | PLATE, REINFORCEMENT, CASE   |                         |
| 4A               | RB1-7345-000 |      | 1   | NET                          |                         |
| 5                | XA9-0724-000 |      | 6   | SCREW, M3X8                  |                         |
| 6                | RB1-7130-020 |      | 1   | GUIDE, CABLE                 |                         |
| 7                | RB1-7234-000 |      | 1   | CAP                          |                         |
| 8                | RB1-7176-000 |      | 1   | SHEET, GUIDE                 |                         |
| 501              | XB4-7401-007 |      | 3   | SCREW,TAPPING,PAN HEAD,M4X10 |                         |



FIGURE 102

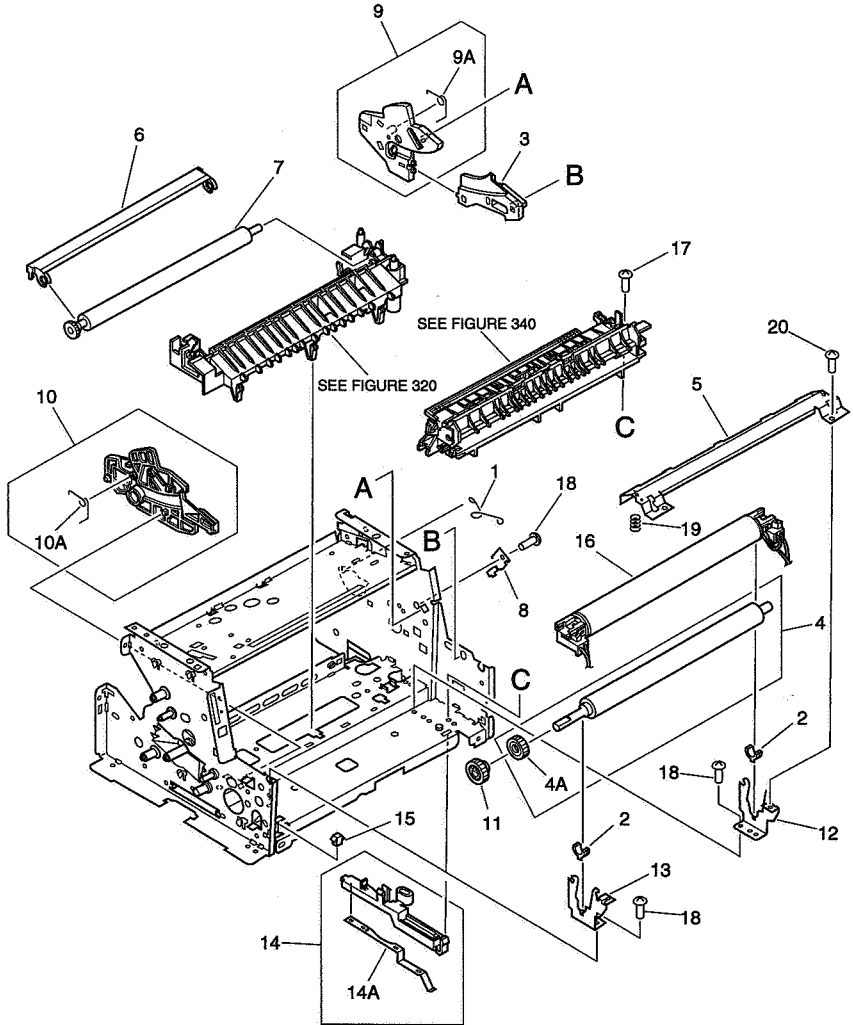
INTERNAL COMPONENTS 2  
本体機械内部 (2)



| FIGURE & KEY NO. | PART NUMBER  | RANK | QTY | DESCRIPTION                      | SERIAL NUMBER / REMARKS |
|------------------|--------------|------|-----|----------------------------------|-------------------------|
| 102 -            | NPN          |      | RF  | INTERNAL COMPONENTS 2            |                         |
| 1                | RS5-0798-000 |      | 1   | GEAR, 15T                        |                         |
| 2                | RB1-7288-020 |      | 2   | BUSHING                          |                         |
| 3                | RB1-8170-000 |      | 1   | LEVER, RELEASE, D                |                         |
| 4                | RB2-1632-000 |      | 1   | PLATE, GEAR SUPPORT              |                         |
| 5                | RB1-7107-000 |      | 1   | HOLDER, GEAR                     |                         |
| 6                | RF5-1513-000 |      | 1   | ARM, SWING                       |                         |
| 7                | RH7-1320-000 |      | 1   | MOTOR, DC 12V 24W                |                         |
| 8                | RS6-0380-000 |      | 1   | GEAR, 23T/98T                    |                         |
| 9                | RS5-0788-000 |      | 1   | GEAR, 32T/93T                    |                         |
| 10               | RS5-0789-000 |      | 1   | GEAR, 37T                        |                         |
| 11               | RS5-0790-000 |      | 1   | GEAR, 54T/19T                    |                         |
| 12               | RS5-0791-000 |      | 1   | GEAR, 36T                        |                         |
| 13               | RS5-0793-000 |      | 2   | GEAR, 22T                        |                         |
| 14               | RS5-0794-000 |      | 1   | GEAR, 24T                        |                         |
| 15               | RS5-0799-000 |      | 1   | GEAR, 51T/17T                    |                         |
| 16               | RG5-3453-000 |      | 1   | SWITCH LEVER ASSY                |                         |
| 17               | RF5-2367-000 |      | 1   | ROLLER, FEEDER                   |                         |
| 18               | RS5-0797-000 |      | 1   | GEAR, 18T                        |                         |
| 19               | RG5-3497-000 |      | 1   | SCANNER ASSY                     |                         |
| 19A              | RB1-7384-000 |      | 1   | SHEET, DUST COVER                |                         |
| 20               | RB2-1714-000 |      | 1   | SPRING, GROUNDING                |                         |
| 21               | XA9-0267-000 |      | 2   | SCREW, TP, M3X6                  |                         |
| 22               | XA9-0382-000 |      | 1   | SCREW, TP, M3X12                 |                         |
| 23               | WE8-5192-000 |      | 1   | CORE, FERRITE RING               |                         |
| 24               | RB9-0227-000 |      | 1   | SPACER                           |                         |
| 25               | XA9-0267-000 |      | 3   | SCREW, TP, M3X6                  |                         |
| 501              | XB6-7300-807 |      | 3   | SCREW, TP, M3X8                  |                         |
| 502              | XB4-7300-809 |      | 1   | SCREW, TAPPING, TRUSS HEAD, M3X8 |                         |

# FIGURE 103

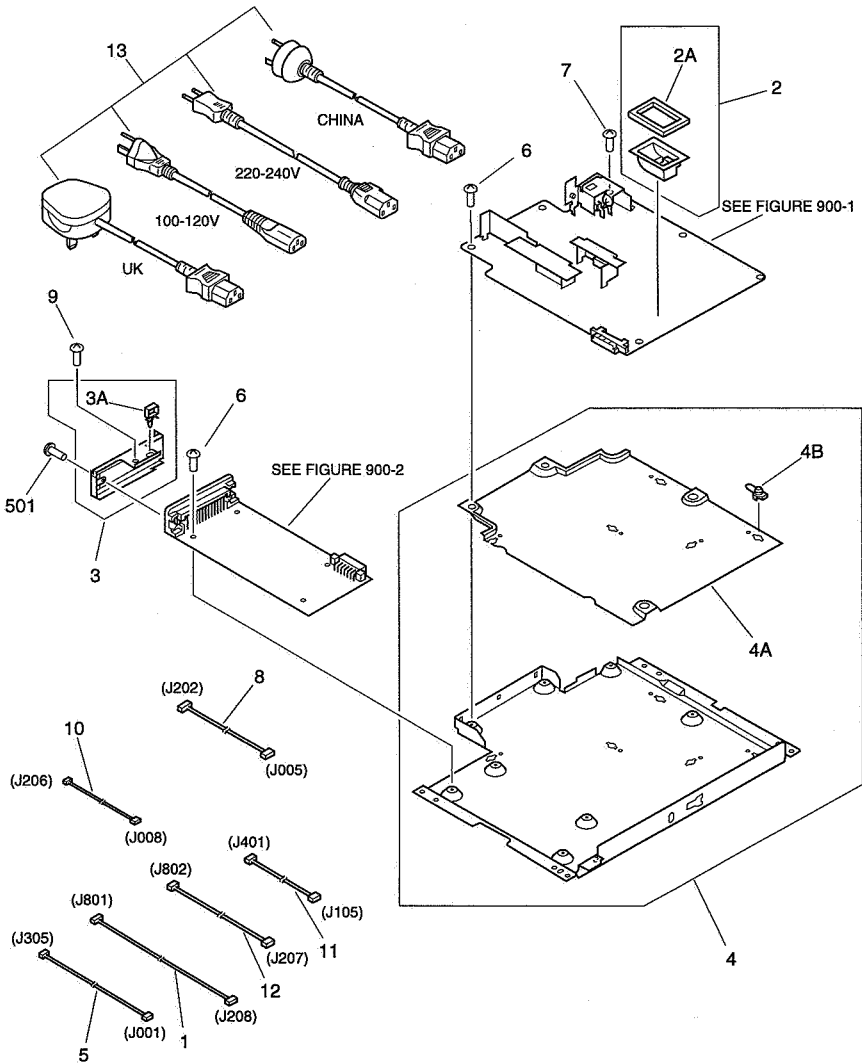
## INTERNAL COMPONENTS 3 本体機械内部 (3)



| FIGURE & KEY NO. | PART NUMBER  | RANK | QTY | DESCRIPTION                  | SERIAL NUMBER / REMARKS |
|------------------|--------------|------|-----|------------------------------|-------------------------|
| 103 -            | NPN          |      | RF  | INTERNAL COMPONENTS 3        |                         |
| 1                | RB1-7223-000 |      | 1   | SPRING, GROUNDING            |                         |
| 2                | RB1-7246-000 |      | 2   | BUSHING                      |                         |
| 3                | RB1-7341-030 |      | 1   | GUIDE, SUB, CARTRIDGE, RIGHT |                         |
| 4                | RF5-2364-000 |      | 1   | ROLLER, PRESSURE             |                         |
| 4A               | RB2-1668-000 |      | 1   | RUBBER, CONTINUITY           |                         |
| 5                | RF5-1517-020 |      | 1   | PLATE, PRESSURE              |                         |
| 6                | RF5-2358-000 |      | 1   | GUIDE, TRANSFER              |                         |
| 7                | RF5-1534-000 |      | 1   | ROLLER, TRANSFER             |                         |
| 8                | RB1-7129-000 |      | 1   | SPRING, GROUNDING            |                         |
| 9                | RF5-1515-020 |      | 1   | GUIDE, CARTRIDGE             |                         |
| 9A               | RS5-2506-000 |      | 1   | SPRING, TORSION              |                         |
| 10               | RF5-1514-020 |      | 1   | GUIDE, CARTRIDGE, LEFT       |                         |
| 10A              | RS5-2506-000 |      | 1   | SPRING, TORSION              |                         |
| 11               | RS5-0796-000 |      | 1   | GEAR, 27T                    |                         |
| 12               | RB1-7256-000 |      | 1   | SIDE PLATE, RIGHT            |                         |
| 13               | RB1-7255-000 |      | 1   | SIDE PLATE, LEFT             |                         |
| 14               | RF5-1533-000 |      | 1   | PLATE, COMMUNITY             |                         |
| 14A              | RB1-7238-000 |      | 1   | SPRING, LEAF                 |                         |
| 15               | VS1-5057-002 |      | 1   | CONNECTOR, 2P                |                         |
| 16               | RG5-3459-040 |      | 1   | FIXING ASS'Y                 | 100-120V                |
|                  | RG5-3463-000 |      | 1   | FIXING ASS'Y                 | 220-240V                |
| 17               | XA9-0824-000 |      | 1   | SCREW, RS, M3X10             |                         |
| 18               | XA9-0686-000 |      | 3   | SCREW, M3X6                  |                         |
| 19               | RS5-2508-000 |      | 2   | SPRING, COMPRESSION          |                         |
| 20               | XA9-0724-000 |      | 2   | SCREW, M3X8                  |                         |

# FIGURE 110

## ELECTRICAL COMPONENTS ASS'Y 電装部

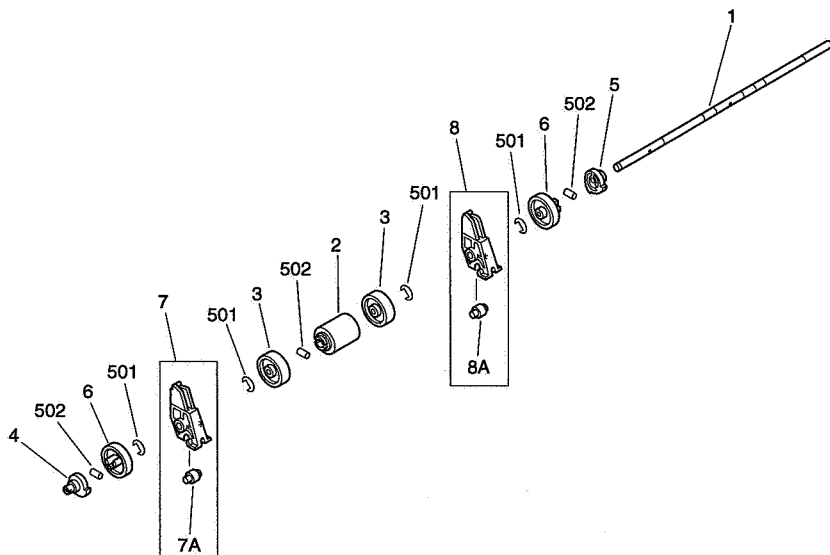


| FIGURE<br>&<br>KEY NO. | PART NUMBER  | R<br>A<br>N<br>K | Q'<br>T<br>Y | DESCRIPTION                   | SERIAL NUMBER / REMARKS |
|------------------------|--------------|------------------|--------------|-------------------------------|-------------------------|
| 110 -                  | NPN          |                  | RF           | ELECTRICAL COMPONENTS ASS'Y   |                         |
| 1                      | RG5-2035-000 |                  | 1            | CABLE, LASER                  | J208, J801              |
| 2                      | RF5-2382-000 |                  | 1            | COVER, WATERPROOF             |                         |
| 2A                     | RB1-7270-000 |                  | 1            | CUSHION                       |                         |
| 3                      | RG5-3511-020 |                  | 1            | CONNECTOR SHIELD PLATE ASS'Y  |                         |
| 3A                     | WT2-0262-000 |                  | 1            | CLIP, CABLE                   |                         |
| 4                      | RG5-2335-000 |                  | 1            | PRINTER CONTROLLER CASE ASS'Y |                         |
| 4A                     | RB1-7297-000 |                  | 1            | SHEET, INSULATING             |                         |
| 4B                     | RB1-7303-000 |                  | 5            | SPACER, PCB                   |                         |
| 5                      | RG5-3662-000 |                  | 1            | DOOR SWITCH CABLE             | J001, J305              |
| 6                      | XA9-0890-000 |                  | 8            | SCREW, W/WASHER, M3X6         |                         |
| 7                      | XA9-0828-000 |                  | 1            | SCREW, W/STAR WASHER, M3X4    |                         |
| 8                      | RG5-2029-000 |                  | 1            | CABLE, PAPER PICK-UP          | J005, J202              |
| 9                      | XA9-0267-000 |                  | 1            | SCREW, TP, M3X6               |                         |
| 10                     | RG5-2032-000 |                  | 1            | CABLE, THERMISTOR             | J008, J206              |
| 11                     | RG5-2033-000 |                  | 1            | CABLE, MOTOR                  | J105, J401              |
| 12                     | RG5-3661-000 |                  | 1            | SCANNER CABLE                 | J207, J802              |
| 13                     | RH2-5116-000 |                  | 1            | CORD, POWER                   | 220-240V                |
|                        | RH2-5127-000 |                  | 1            | CORD, POWER                   | 100-120V                |
|                        | RH2-5230-000 |                  | 1            | CORD, POWER                   | UK                      |
|                        | RH2-5344-000 |                  | 1            | CORD, POWER                   | CHINA                   |
| 501                    | XB1-1300-807 |                  | 2            | SCREW, MACH., PAN HEAD, M3X8  |                         |

# FIGURE 260

## PAPER PICK-UP ROLLER ASS'Y

給紙ローラ部

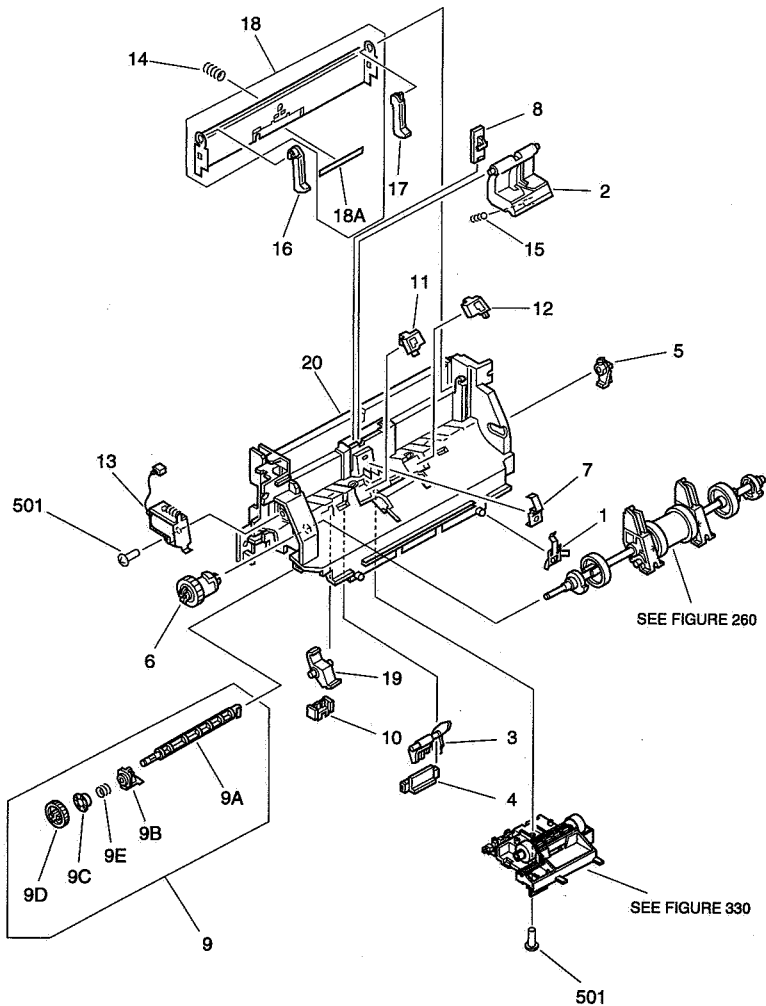


| FIGURE & KEY NO. | PART NUMBER  | QTY | DESCRIPTION                | SERIAL NUMBER / REMARKS |
|------------------|--------------|-----|----------------------------|-------------------------|
| 260 -            | RG5-3486-040 | 1   | PAPER PICK-UP ROLLER ASS'Y |                         |
| 1                | RB2-1707-000 | 1   | SHAFT, PAPER PICK-UP       |                         |
| 2                | RB2-1634-000 | 1   | ROLLER, PAPER PICK-UP      |                         |
| 3                | RB2-1633-000 | 2   | ROLLER, SUB                |                         |
| 4                | RB1-7193-000 | 1   | CAM, LEFT                  |                         |
| 5                | RB1-7194-000 | 1   | CAM, RIGHT                 |                         |
| 6                | RB2-1703-000 | 2   | ROLLER, SUB                |                         |
| 7                | RG5-3492-000 | 1   | FEED ROLLER ASS'Y, LEFT    |                         |
| 7A               | RB2-1701-000 | 1   | ROLLER, FEED               |                         |
| 8                | RG5-3493-000 | 1   | FEED ROLLER ASS'Y, RIGHT   |                         |
| 8A               | RB2-1701-000 | 1   | ROLLER, FEED               |                         |
| 501              | XD9-0131-000 | 4   | RING, E                    |                         |
| 502              | XD9-0159-000 | 3   | PIN, DOWEL                 |                         |

# FIGURE 310

## PAPER PICK-UP ASS'Y

給紙部

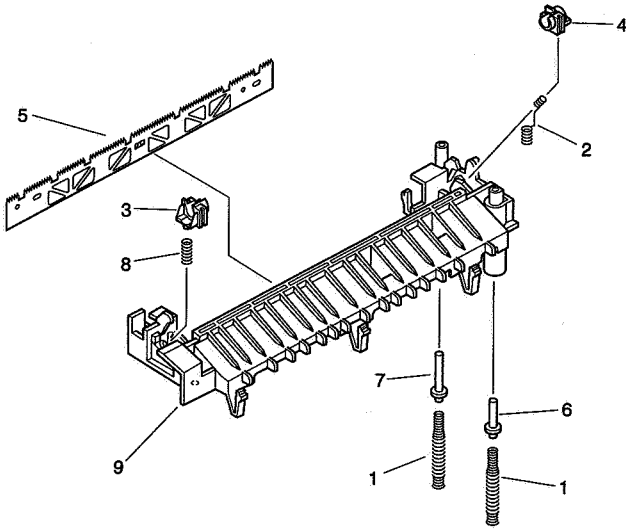




| FIGURE<br>&<br>KEY NO. | PART NUMBER  | R<br>A<br>N<br>K | Q<br>T<br>Y | DESCRIPTION                  | SERIAL NUMBER / REMARKS |
|------------------------|--------------|------------------|-------------|------------------------------|-------------------------|
| 310 -                  | RG5-3484-070 |                  | 1           | PAPER PICK-UP ASS'Y          |                         |
| 1                      | RB1-7172-000 |                  | 1           | SPRING, GROUNDING            |                         |
| 2                      | RB1-7181-000 |                  | 1           | ARM, SEPARATION              |                         |
| 3                      | RB1-7182-000 |                  | 1           | LEVER, SENSOR                |                         |
| 4                      | RB1-7183-000 |                  | 1           | HOLDER, LEVER                |                         |
| 5                      | RB1-7184-000 |                  | 1           | BUSHING                      |                         |
| 6                      | RB1-7197-020 |                  | 1           | CLUTCH                       |                         |
| 7                      | RB1-7199-000 |                  | 1           | SPRING, GROUNDING            |                         |
| 8                      | RB1-7206-000 |                  | 1           | HOLDER, ARM                  |                         |
| 9                      | RG5-1947-000 |                  | 1           | FEEDER DRIVE ASSY            |                         |
| 9A                     | RB1-7221-000 |                  | 1           | SHAFT, DRIVE                 |                         |
| 9B                     | RB1-7222-000 |                  | 1           | BUSHING                      |                         |
| 9C                     | RB1-7224-000 |                  | 1           | RATCHET                      |                         |
| 9D                     | RS5-0786-000 |                  | 1           | GEAR, 24T                    |                         |
| 9E                     | RS5-2510-000 |                  | 1           | SPRING, COMPRESSION          |                         |
| 10                     | RB1-7220-000 |                  | 2           | HOLDER, STOPPER              |                         |
| 11                     | RF5-1492-000 |                  | 1           | PAD, LEFT                    |                         |
| 12                     | RF5-1493-000 |                  | 1           | PAD, RIGHT                   |                         |
| 13                     | RH7-5139-030 |                  | 1           | SOLENOID                     |                         |
| 14                     | RS5-2501-000 |                  | 1           | SPRING, COMPRESSION          |                         |
| 15                     | RS5-2502-000 |                  | 1           | SPRING, COMPRESSION          |                         |
| 16                     | RB1-7185-000 |                  | 1           | ARM, PLATE, LEFT             |                         |
| 17                     | RB1-7186-000 |                  | 1           | ARM, PLATE, RIGHT            |                         |
| 18                     | RF5-2372-000 |                  | 1           | PLATE, MIDDLE                |                         |
| 18A                    | RB2-1706-000 |                  | 1           | SHEET, SEPARATION            |                         |
| 19                     | RB1-7219-000 |                  | 2           | STOPPER                      |                         |
| 20                     | RB1-7177-000 |                  | 1           | FRAME, PAPER FEED            |                         |
| 501                    | XB4-7401-007 |                  | 2           | SCREW,TAPPING,PAN HEAD,M4X10 |                         |

# FIGURE 320

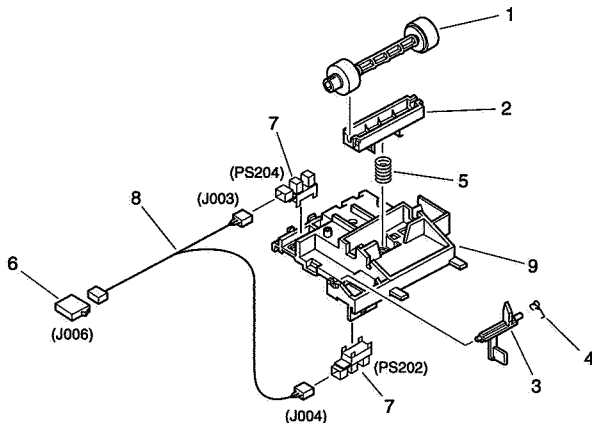
## TRANSFER BLOCK ASS'Y 転写ブロック部



| FIGURE & KEY NO. | PART NUMBER  | RANK | QTY | DESCRIPTION               | SERIAL NUMBER / REMARKS |
|------------------|--------------|------|-----|---------------------------|-------------------------|
| 320 -            | RG5-3452-000 |      | 1   | TRANSFER BLOCK ASS'Y      |                         |
| 1                | RS5-2512-000 |      | 2   | SPRING, COMPRESSION       |                         |
| 2                | RS5-2505-000 |      | 1   | SPRING, COMPRESSION       |                         |
| 3                | RB2-1655-000 |      | 1   | BUSHING                   |                         |
| 4                | RB2-1656-000 |      | 1   | BUSHING                   |                         |
| 5                | RB2-1657-000 |      | 1   | ELIMINATOR, STATIC CHARGE |                         |
| 6                | RB1-7236-000 |      | 1   | PIN, CONTACT              |                         |
| 7                | RB1-7237-000 |      | 1   | PIN, CONTACT              |                         |
| 8                | RS5-2504-000 |      | 1   | SPRING, COMPRESSION       |                         |
| 9                | RB2-1654-000 |      | 1   | BLOCK, TRANSFER           |                         |
| -----            |              |      |     |                           |                         |
| -----            |              |      |     |                           |                         |

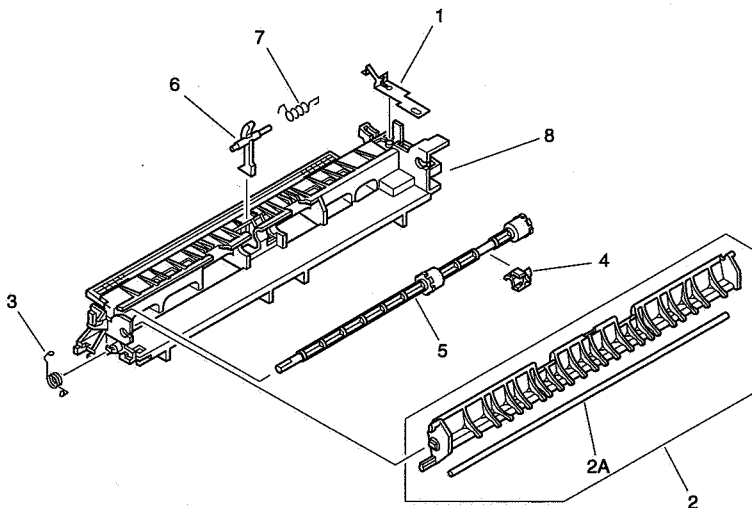
# FIGURE 330 FEEDER ASS'Y

搬送部



| FIGURE & KEY NO. | PART NUMBER  | RA<br>X<br>Z<br>Y | Q'<br>T<br>Y | DESCRIPTION                    | SERIAL NUMBER / REMARKS |
|------------------|--------------|-------------------|--------------|--------------------------------|-------------------------|
| 330 -            | RG5-3485-030 |                   | 1            | FEEDER ASS'Y                   |                         |
| 1                | RB2-1699-000 |                   | 1            | ROLLER                         |                         |
| 2                | RB1-7203-000 |                   | 1            | ARM, PRESSURE                  |                         |
| 3                | RB2-1700-030 |                   | 1            | LEVER, REGISTRATION SENSOR     |                         |
| 4                | RB1-7205-000 |                   | 1            | SPRING, TORSION                |                         |
| 5                | RS5-2503-000 |                   | 1            | SPRING, COMPRESSION            |                         |
| 6                | VS1-5057-006 |                   | 1            | CONNECTOR, 6P                  |                         |
| 7                | WG8-5362-000 |                   | 2            | IC, TLP1241, PHOTO-INTERRUPTER | PS204, PS202            |
| 8                | RG9-1946-000 |                   | 1            | PICK-UP SENSOR CABLE 2         | J003, J004, J006        |
| 9                | RB1-7200-030 |                   | 1            | HOLDER                         |                         |

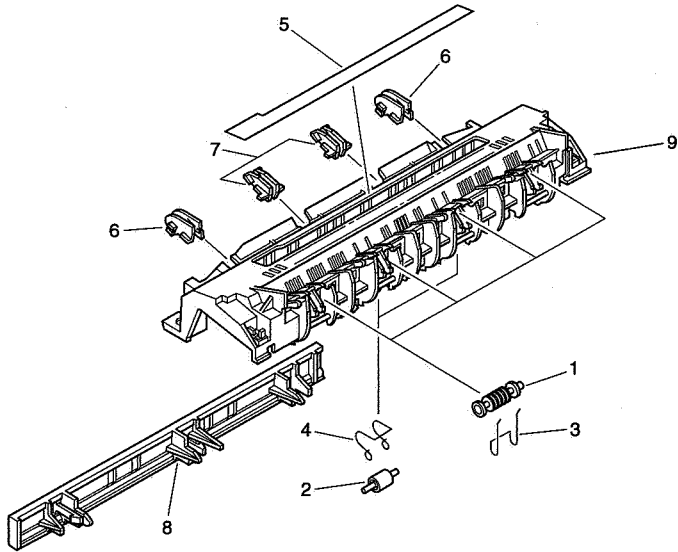
**FIGURE 340** SEPARATION GUIDE ASS'Y  
分離ガイド部



| FIGURE & KEY NO. | PART NUMBER  | RANK | QTY | DESCRIPTION            | SERIAL NUMBER / REMARKS |
|------------------|--------------|------|-----|------------------------|-------------------------|
| 340 -            | RG5-3475-040 |      | 1   | SEPARATION GUIDE ASS'Y |                         |
| 1                | RB2-1691-000 |      | 1   | SPRING, LEAF           |                         |
| 2                | RG5-3476-030 |      | 1   | FLAPPER                |                         |
| 2A               | RB2-1689-000 |      | 1   | ROD, REINFORCEMENT     |                         |
| 3                | RB1-7277-000 |      | 1   | SPRING, TORSION        |                         |
| 4                | RB2-1690-000 |      | 1   | BUSHING                |                         |
| 5                | RF5-2368-000 |      | 1   | ROLLER, FACE UP        |                         |
| 6                | RB1-7293-020 |      | 1   | LEVER, SENSOR          |                         |
| 7                | RB1-7294-000 |      | 1   | SPRING, TORSION        |                         |
| 8                | RB2-1687-000 |      | 1   | GUIDE, SEPARATION      |                         |
| -----            |              |      |     |                        |                         |
|                  |              |      |     |                        |                         |
| -----            |              |      |     |                        |                         |
|                  |              |      |     |                        |                         |
| -----            |              |      |     |                        |                         |

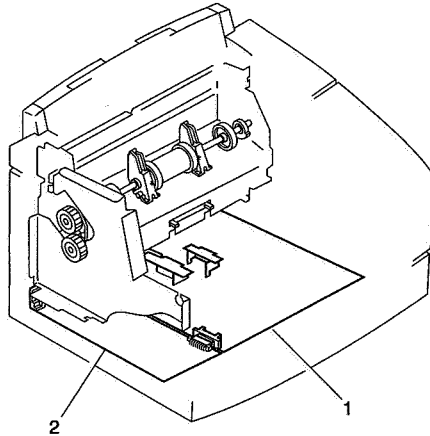
# FIGURE 350

## DELIVERY ASS'Y 排紙部



| FIGURE & KEY NO. | PART NUMBER  | P<br>K<br>Z<br>P | Q'<br>T<br>Y | DESCRIPTION                 | SERIAL NUMBER / REMARKS |
|------------------|--------------|------------------|--------------|-----------------------------|-------------------------|
| 350 -            | RG5-3474-020 |                  | 1            | DELIVERY ASS'Y              |                         |
| 1                | RB1-7284-020 |                  | 4            | ROLLER, FACE DOWN           |                         |
| 2                | RB2-1685-000 |                  | 2            | ROLLER, FACE UP             |                         |
| 3                | RB1-7286-000 |                  | 4            | SPRING, WIRE                |                         |
| 4                | RB1-7287-000 |                  | 2            | SPRING, WIRE                |                         |
| 5                | RS5-8543-020 |                  | 1            | LABEL, "WARNING HIGH TEMP"  |                         |
| 6                | RG5-3479-000 |                  | 2            | SPUR ASS'Y                  |                         |
| 7                | RG5-3478-000 |                  | 2            | SPUR ASS'Y                  |                         |
| 8                | RB1-7334-000 |                  | 1            | GUIDE, JAMMED PAPER REMOVAL |                         |
| 9                | RB2-1686-000 |                  | 1            | FRAME                       |                         |

**FIGURE 900** PCB ASS'Y LOCATION DIAGRAM  
回路基板配置図



| FIGURE & KEY NO. | PART NUMBER | RANK | QTY | DESCRIPTION                  | SERIAL NUMBER / REMARKS         |
|------------------|-------------|------|-----|------------------------------|---------------------------------|
| 900 -            | NPN         |      | RF  | PCB ASS'Y LOCATION DIAGRAM   |                                 |
|                  | 1           |      | 1   | VIDEO CONTROLLER PCB ASS'Y   | R72-5064                        |
|                  |             |      | 1   | VIDEO CONTROLLER PCB ASS'Y   | R72-5058, R72-5068,<br>R72-5094 |
|                  | 2           |      | 1   | PRINTER CONTROLLER PCB ASS'Y | 100-120V                        |
|                  |             |      | 1   | PRINTER CONTROLLER PCB ASS'Y | 220-240V                        |
| -----            |             |      |     |                              |                                 |
| -----            |             |      |     |                              |                                 |