

**C2083D Lower Cassette****Upgrade Kit**

C2083D Lower cassette upgrade (500 sheet feeder) - With 500 sheet multi-size paper tray  
NO LONGER SUPPLIED

**C3157A Duplexer Parts****Duplexer**

C3157A C3157A Duplexer

**Electronic Accessories****Adapter**

C2809A Serial cable adapter - 9-pin male to 25-pin female

**Cable (Interface)**

24540-80010 Centronics (parallel) cable - 36 pin (M) to 25 pin (M) - 2.0m (6.6ft) long

5063-1256 IEEE-1284 Bi-Tronics parallel cable - DB-25 (M) connector (type A) to 36 pin Centronics (M) connector (type B) - 2.0m (6.6ft) long

5063-1257 IEEE-1284 Bi-Tronics parallel cable - DB-25 (M) connector (type A) to 36 pin Centronics (M) connector (type B) - 3.0m (9.8ft) long

C2932A RS-232C serial cable - 9 pin (M) to 9 pin (F) - 3.0m (9.8ft) long  
NO LONGER SUPPLIED

C2933A RS-232C serial cable - 9 pin (M) to 25 pin (F) - 3.0m (9.8ft) long  
NO LONGER SUPPLIED

C2950A IEEE-1284 Bi-Tronics parallel cable - DB-25 (M) connector (type A) to 36 pin Centronics (M) connector (type B) - 2.0m (6.6ft) long

5063-1256 *New Part for C2950A*

C2951A IEEE-1284 Bi-Tronics parallel cable - DB-25 (M) connector (type A) to 36 pin Centronics (M) connector (type B) - 3.0m (9.8ft) long

C2990A IEEE-1284 Bi-Tronics parallel cable - DB-25 (M) (type A) to 36 pin (M) Centronics (type B) - 1.8m (6ft) long  
NO LONGER SUPPLIED

C2991A IEEE-1284 Bi-Tronics parallel cable - DB-25 (M) (type A) to 36 pin (M) Centronics (type B) - 3.0m (10ft) long  
NO LONGER SUPPLIED

**Duplexer**

C3157-69001 Duplexer assembly - For 2 sided printing  
NO LONGER SUPPLIED

**Envelope Feeder**

C2082-67901 Power envelope feeder - Holds 75 envelopes

**Memory (Product)**

C3131A 2MB, 70nS, 36-bit SIMM memory module - For HP LaserJet 4P, 4+, 4V, 5, 5N, 5M, 5P, 5Si  
NO LONGER SUPPLIED

C3146-67901 *New Part for C3131A*

C3132A 4MB, 70nS, 36-bit SIMM memory module - For HP LaserJet 4P, 4+, 4V, 5, 5N, 5M, 5P, 5Si  
NO LONGER SUPPLIED

C3146-67901 *New Part for C3132A*

C3133A 8MB, 70nS, 36-bit SIMM memory module - For HP LaserJet 4P, 4+, 4V, 5, 5N, 5M, 5P, 5Si  
NO LONGER SUPPLIED

C3146-67901 *New Part for C3133A*

**Memory (SIMM)**

C2747-69501 16MB SIMM memory module  
REQUIRES RETURN OF DEFECTIVE PART

1818-5621 *New Part for C2747-69501*

C3130-60001 1MB, 32-bit SIMM memory module

C3131-67901 2MB, 32-bit SIMM memory module  
NO LONGER SUPPLIED

C3146-67901 *New Part for C3131-67901*

**Electronic Accessories****Memory (SIMM)**

C3132-67901	4MB, 70nS, 36-bit parity SIMM memory module NO LONGER SUPPLIED
C3146-67901	<i>New Part for C3132-67901</i>
C3133-67901	8MB, 70nS, 36-bit parity SIMM memory module NO LONGER SUPPLIED
C3146-67901	<i>New Part for C3133-67901</i>
C3146-67901	16MB SIMM memory module

**Paper Stacker**

C2806-63001	Output paper stacker - Holds 1000 sheets or 80 envelopes NO LONGER SUPPLIED
-------------	--

**PostScript**

C3129-69001	Adobe's PostScript (Level 2) SIMM module NO LONGER SUPPLIED
C3129A	Adobe's PostScript (Level 2) SIMM module - Includes 35 fonts NO LONGER SUPPLIED

**External Case Parts****Cover**

27	RB1-2366-000CN	Empty slot cover
28	RB1-3470-000CN	Right side cover NO LONGER SUPPLIED
29	RB1-3471-000CN	Left side cover NO LONGER SUPPLIED
30	RG5-0459-000CN	Right front cover assembly - Includes spring loaded font door NO LONGER SUPPLIED
31	RG5-0872-000CN	Top cover assembly - Includes hinges, top cover, & top door

**Door**

32	RB1-3474-000CN	Door - On top of printer - Lift-up printer access cover NO LONGER SUPPLIED
33	RB1-3559-000CN	MP door - On front panel - Does NOT include tray extension
34	RF5-0733-000CN	Rear door assembly - Includes support strap, latch, and spring NO LONGER SUPPLIED

**Holder**

35	RB1-3560-000CN	Latch holder (Black) NO LONGER SUPPLIED
----	----------------	--

**Latch**

36	RB1-2335-000CN	Rear door latch
37	XZ9-0379-000CN	Door latch insert (Black)

**Overlay**

38	C2037-40002	Control panel overlay (French)
39	C2037-40003	Control panel overlay (German)
40	C2037-40004	Control panel overlay (Italian)
41	C2037-40005	Control panel overlay (Spanish) NO LONGER SUPPLIED
42	C2037-40006	Control panel overlay (Norwegian)
43	C2037-40007	Control panel overlay (Swedish)
44	C2037-40008	Control panel overlay (Danish)
45	C2037-40009	Control panel overlay (Finnish)

**External Case Parts****Overlay**

46	C2037-40010	Control panel overlay (Dutch)
47	C2037-40011	Control panel overlay (Polish)
48	C2037-40012	Control panel overlay (Turkish)
49	C2037-40013	Control panel overlay (Portuguese)
50	C2037-40014	Control panel overlay (European English)

**Spring**

51	RS5-2219-000CN	Rear door spring under rear door latch NO LONGER SUPPLIED
----	----------------	--

**Strap**

52	RB1-2354-000CN	Support strap for rear door - Supports door when open
----	----------------	---

**Tray**

53	RB1-3558-000CN	Multi-Purpose tray extension - Flips out from MP door (Tray)
54	RG5-0888-000CN	Multi-Purpose input tray - Attaches to front door NO LONGER SUPPLIED

**Fusing Assembly Parts****Fusing Assembly**

55	5182-2805	Fusing assembly (240V, 50Hz) - Bonds toner to paper by heat - In quantity price break packaging (Contains 5 New fusing assemblies) NO LONGER SUPPLIED
56	5182-2806	Fusing assembly (240V, 50Hz) - Bonds toner to paper by heat - In quantity price break packaging (Contains 10 New fusing assemblies)
57	C2037-69001	Fusing assembly (120V) - Bonds toner to paper by heat REQUIRES RETURN OF DEFECTIVE PART  <i>RG5-0879-130CN</i> <i>New Part for C2037-69001</i>
58	C2037-69002	Fusing assembly (240V) - Bonds toner to paper by heat REQUIRES RETURN OF DEFECTIVE PART  <i>RG5-0880-130CN</i> <i>New Part for C2037-69002</i>

**Gear**

59	RS5-0231-000CN	Fuser drive gear - 19 tooth
	RS5-0232-000CN	Fuser output gear - 23 tooth
61	RS5-0388-000CN	Fusing roller drive gear - 42 tooth

**Lamp**

62	RH7-4054-020CN	Fusing heat lamp (120v, 60Hz)
63	RH7-4055-020CN	Fusing heat lamp (240v, 50Hz)

**Roller**

64	RB1-3516-020CN	Fusing roller - Hollow roller - Heat lamp goes in its core
65	RB1-3517-030CN	Lower pressure roller - Hard rubber roller - In fusing assembly

**Thermistor**

66	RH7-7054-000CN	Thermistor assembly - Includes cable
----	----------------	--------------------------------------

**Thermoswitch**

67	RG5-0881-000CN	Thermoswitch (fuser temperature switch) - At left of fusing roller
----	----------------	--

**Labels and Transparencies****Film (Transparency)**

92296U	LaserJet printer transparency film - A4 size (21.0cm x 29.7cm) - 50 sheets per box
92296T	LaserJet printer transparency film - A size (8.5 x 11-inches) - 50 sheets per box

**Labels and Transparencies**
**Labels**

92296A	LaserJet printer addressing labels - 2.54cm (1.00in) x 6.67cm (2.63in) labels - 30 per sheet - 100 sheets per box NO LONGER SUPPLIED
92296B	LaserJet printer addressing labels - 3.38cm (1.33in) x 10.2cm (4.00in) labels - 14 per sheet - 100 sheets per box NO LONGER SUPPLIED
92296C	LaserJet printer addressing labels - 2.54cm (1.00in) x 10.2cm (4.00in) labels - 20 per sheet - 100 sheets per box NO LONGER SUPPLIED
92296D	LaserJet printer addressing/shipping labels - 5.08cm (2.00in) x 10.2cm (4.00in) labels - 10 per sheet - 100 sheets per box NO LONGER SUPPLIED
92296E	LaserJet printer shipping labels - 8.47cm (3.33in) x 10.2cm (4.00in) labels - Six per sheet - 100 sheets per box NO LONGER SUPPLIED
92296F	LaserJet printer return address labels - 1.27cm (0.50in) x 4.45cm (1.75in) labels - 80 per sheet - 25 sheets per box NO LONGER SUPPLIED
92296G	LaserJet printer file folder labels - 1.69cm (0.67in) x 8.73cm (3.44in) labels - 30 per sheet - 25 sheets per box NO LONGER SUPPLIED
92296H	LaserJet printer labels for 3.5-inch diskettes - 7.00cm (2.75in) x 7.00cm (2.75in) labels - Nine per sheet - 70 sheets per box NO LONGER SUPPLIED
92296J	LaserJet printer labels for 5.25-inch diskettes - 3.81cm (1.50in) x 10.2cm (4.00in) labels - 12 per sheet - 70 sheets per box NO LONGER SUPPLIED
92296K	LaserJet printer full sheet label - A size (8.5 x 11-inches) label - One per sheet - 100 sheets per box NO LONGER SUPPLIED
92296L	LaserJet/DeskJet printer labels - 9.91cm (3.90in) x 3.81cm (1.50in) labels on A4 size (21.0cm x 29.7cm) sheet - 14 per sheet - 100 sheets per box NO LONGER SUPPLIED
92296M	LaserJet/DeskJet printer labels - 9.91cm (3.90in) x 3.38cm (1.33in) labels on A4 size (21.0cm x 29.7cm) sheet - 16 per sheet - 100 sheets per box NO LONGER SUPPLIED
92296N	LaserJet/DeskJet printer labels - 6.35cm (2.52in) x 3.81cm (1.50in) labels on A4 size (21.0cm x 29.7cm) sheet - 21 per sheet - 100 sheets per box NO LONGER SUPPLIED
92296P	LaserJet/DeskJet printer labels - 10.0cm (3.94in) x 5.10cm (2.01in) labels on A4 size (21.0cm x 29.7cm) sheet - 10 per sheet - 100 sheets per box NO LONGER SUPPLIED
92296R	LaserJet/DeskJet printer labels - 20.0cm (7.86in) x 28.9cm (11.4in) labels on A4 size (21.0cm x 29.7cm) sheet - One per sheet - 100 sheets per box NO LONGER SUPPLIED

**Logic/Control Electronics**
**Cable**

85	RG5-0524-000CN	Cable assembly - From DC controller to paper control board
86	RG5-0982-000CN	Cable assembly - From DC controller board to the control panel

**Control Panel**

87	RG5-1076-000CN	Control panel assembly (for 220V/240V operation ONLY) - Includes the display (overlay NOT included)
88	RG5-1077-000CN	Control panel assembly (for 100V/120V operation) - Includes the display and an English overlay NO LONGER SUPPLIED

**PC Board**

89	C2037-69004	DC controller board
	RG5-0966-030CN	<i>New Part for C2037-69004</i>
90	C2038-69004	Formatter (Main logic) board REQUIRES RETURN OF DEFECTIVE PART
	C2038-67901	<i>New Part for C2038-69004</i>

**Logic/Control Electronics****PC Board**

91	RG5-0512-070CN	Paper control board - On right side of paper feed assembly
	RG5-0966-030CN	DC controller board

**Optional Interfaces****Interface (Module)**

J4101-61011	External JetDirect 300X print server module (10Base-T and 100Base-T) - Connects between printer parallel port and LAN network - Does NOT include power module - (J4101A, J4101B)
-------------	--

**Interface (Product)**

J2552B	LAN & LocalTalk interface - Has EtherTwist (10Base-T) , ThinLAN (10Base-2) , and LocalTalk (DIN-8) connectors NO LONGER SUPPLIED
J2555B	Token ring LAN interface board - DB-9 and RJ-45 connectors NO LONGER SUPPLIED
J2556B	EtherTwist (10Base-T) or 100Base-TX LAN interface board - Has an RJ-45 connector NO LONGER SUPPLIED
J2590A	External JetDirect LAN interface module with RJ-45 connector for EtherTwist (10Base-T) or 100VG/802.12 input and 3 parallel (DB-25) output connectors NO LONGER SUPPLIED
J2591A	External JetDirect LAN interface module and power module - Has EtherTwist (10Base-T) and ThinLAN (10Base-2) connectors NO LONGER SUPPLIED
J3258B	External JetDirect 170X LAN interface module - Interfaces a parallel printer to an ethernet 10Base-T (RJ-45) LAN
J3264A	External JetDirect 500X token ring interface module - Interfaces up to 3 parallel printers to a token ring (DB-9 or RJ-45) LAN
J3265A	External JetDirect 500X LAN interface module - Interfaces up to 3 parallel printers to an ethernet 10Base-T (RJ-45), 10Base2 (BNC), or 100Base-TX (RJ-45) LAN
J4100A	JetDirect 400N modular input/output (MIO) - Internal print server - Provides 10/100Base-T or 10Base-2 network connection using RJ45 or BNC connectors
J4105A	JetDirect 400N modular input/output (MIO) internal print server - Provides token ring network connection using RJ45 or DB9 connectors
J4106A	JetDirect 400N modular input/output (MIO) internal print server - Provides 10Base-T network connection using RJ45 connector

**Module**

J2382-69003	External JetDirect LAN interface module with ethertwist (10Base-T) and ThinLAN (10BASE-2) connectors
J2383-61005	External token ring interface module - Has DB-9 connector
J2590-69001	External JetDirect LAN interface module with RJ-45 connector for ethertwist (10Base-T) or 100VG/802.12 input and 3 parallel (DB-25) output connectors REQUIRES RETURN OF DEFECTIVE PART
J2590-61011	<i>New Part for J2590-69001</i>
J2591-69001	External JetDirect LAN interface module with ethertwist (10Base-T) and ThinLAN (10BASE-2) connectors
J2592-69001	External JetDirect LAN interface module with ethertwist (10Base-T) connector REQUIRES RETURN OF DEFECTIVE PART
J2592-61001	<i>New Part for J2592-69001</i>
J2593-69001	External JetDirect LAN interface module with Ethertwist (10Base-T) and ThinLAN (10BASE-2) input connectors and 3 parallel (DB-25) output connectors - (part of J2593A)
J2594-69001	External JetDirect token ring interface module with DB-9 and RJ-45 input connectors and 3 parallel (DB-25) output connectors - (part of J2594A) REQUIRES RETURN OF DEFECTIVE PART
J2594-61011	<i>New Part for J2594-69001</i>
J3258-61011	External JetDirect LAN interface module with EtherTwist (10Base-T) connector - (J3258A, J3258B)
J4102-69011	External JetDirect LAN interface module with EtherTwist (10Base-T) connector - (J4102A, J4102B) REQUIRES RETURN OF DEFECTIVE PART
J4102-61011	<i>New Part for J4102-69011</i>

**Optional Interfaces****Module (Product)**

J4101B	External JetDirect LAN interface module with EtherTwist (10Base-T/Base-TX) connector
J4102B	External JetDirect LAN interface module with EtherTwist (10Base-T) connector

**PC Board (Interface)**

J2550-69013	EtherTwist 10Base-T LAN interface board
J2552-69013	LAN and LocalTalk interface - EtherTwist (10Base-T), ThinLAN (10Base-2), and LocalTalk (DIN-8) connectors
J2555-69013	Token ring LAN interface board - DB-9 and RJ-45 connectors
J4100-69001	JetDirect 400N modular input/output (MIO) internal print server - Provides 10/100Base-TX or 10Base-2 network connection using RJ45 or BNC connectors - (J4100A) REQUIRES RETURN OF DEFECTIVE PART
<i>J4100-61001</i>	<i>New Part for J4100-69001</i>
J4106-69001	Replacement JetDirect 400N modular input/output (MIO) internal print server REQUIRES RETURN OF DEFECTIVE PART
<i>J4106-61001</i>	<i>New Part for J4106-69001</i>

**Power Cord**

8120-1351	Power cord (Mint Gray) - 17 AWG, 2.3m (7.5ft) long - Has straight (F) receptacle (For 240V in the UK, Hong Kong, Singapore, Malaysia, and Brunei)
8120-1369	Power cord (Mint Gray) - 17 AWG, 2.0m (6.6ft) long - Has straight (F) receptacle (For 240V in Australia, New Zealand, and China)
8120-1378	Power cord (Jade Gray) - 18 AWG, 2.3m (7.5ft) long - Has straight (F) receptacle (For 120V in USA, Canada, Latin America, Korea, Taiwan, Thailand, Spain, Brazil, and Vietnam)
8120-1689	Power cord (Mint Gray) - 17 AWG, 2.0m (6.6ft) long - Has straight (F) receptacle (For 220V in Europe, Bangladesh, Indonesia, Pakistan, Burma, Sri Lanka, and Vietnam)
8120-2104	Power cord (Mint Gray) - 2.0m (6.6ft) long - Has straight (F) receptacle (For 220V in Switzerland)
8120-2956	Power cord (Mint Gray) - 2.0m (6.6ft) long - Has straight (F) receptacle (For 220V in Denmark)
8120-4753	Power cord (Flint Gray) - 18 AWG, 2.3m (7.5ft) long - Has straight (F) receptacle (For 100V in Japan)
8120-6302	'Daisy chain' power cord (Dove Gray) - 18 AWG, 1.2m (4.0ft) long - Has C14 (M) plug for power input and C13 (F) plug for power output

**Power Module**

0950-2372	Power supply module - 100-240VAC input, 47-63Hz, requires separate AC power cord - 5VDC output, 1A, 5 watts - For J2382/83A/B
0950-3169	Wall mount power supply module - 110-127V AC 57-63Hz input - 13V DC output at 300mA (USA, Canada) - For use with the J2592A external JetDirect LAN interface module
0950-3170	Power supply module - 209-253VAC input, 47-53Hz - 13VDC output, 300mA (Europe, Israel) - For use with the J2592A external JetDirect LAN interface module
0950-3171	Power supply module - 220-240VAC input, 47-53Hz - 13VDC output, 300mA (U.K., Hong Kong) - For use with the J2592A external JetDirect LAN interface module
0950-3172	Power supply module - 240VAC input, 47-53Hz - 13VDC output, 300mA (Australia) - For use with the J2592A external JetDirect LAN interface module
0950-3348	Wall mount power supply module (MEI-AH ED12006) - 110-127VAC input, 57-63Hz - 13VDC output, 800mA, 10.4 watts (for use in the United States and Canada) - For models J2590/91/93/94A, J2964A, J3258A/B, J3263/64/65A, J3282B, J4101A/B, J4102A/B
0950-3349	Wall mount power supply module (MEI-AH ED12007) - 230VAC input, 47-53Hz - 13VDC output, 800mA, 10.4 watts (for use in Europe and Israel) - For JetDirect/infrared interface models J2590/91/93/94A, J2964A, J3258A/B, J3263/64/65A, J3282B, J4101A/B, J4102A/B
0950-3350	Wall mount power supply module (MEI-AH ED12008) - 220-240VAC input, 47-53Hz - 13VDC output, 800mA, 10.4 watts (for use in the United Kingdom) - For JetDirect/infrared interfaces J2590/91/93/94A, J2964A, J3258A/B, J3263/64/65A, J3282B, J4101A/B, J4102A/B
0950-3351	Wall mount power supply module (MEI-AH ED12009) - 220VAC input, 47-63Hz - 13VDC output, 800mA, 10.4 watts (for use in South Korea) - For JetDirect/infrared interface models J2590/91/93/94A, J2964A, J3258A/B, J3263/64/65A, J3282B, J4101A/B, J4102A/B

**Optional Interfaces****Power Module**

0950-3352	Wall mount power supply module (MEI-AH ED12010) - 100VAC input, 47-63Hz - 13VDC output, 800mA, 10.4 watts (for use in Japan) - For JetDirect/infrared interface models J2590/91/93/94A, J2964A, J3258A/B, J3263/64/65A, J3282B, J4101A/B, J4102A/B
0950-3354	Wall mount power supply module (MEI-AH ED12010) - 220-250VAC input, 47-53Hz - 13VDC output, 800mA, 10.4 watts (for use in South Africa) - For JetDirect/infrared interface models J2590/91/93/94A, J2964A, J3258A/B, J3263/64/65A, J3282B, J4101A/B, J4102A/B
9100-5176	Wall mount power supply module (Leader Electronics 48130625HK) - 200VAC input, 48-52Hz - 13VDC output, 625mA (Hong Kong) - For JetDirect Modules and Infrared Interface Models J2590/91/93/94A, J2964A, J3258A/B, J3263/64/65A, J3282B, J4101A/B, J4102A/B
0950-3350	<i>New Part for 9100-5176</i>

**Optional Paper Trays****Stop**

141	RB1-2370-020CN	Stop plate - For paper length in 250 page universal cassette
142	RF5-0430-000CN	Stop plate - For paper width in 250 page universal cassette
143	RF5-0446-000CN	Stop plate - For paper length in 500 page lower cassette NO LONGER SUPPLIED

**Tab**

RA2-1999-000CN	Corner tab for universal cassette, LaserJet 4 - Prevents paper wrinkling and misfeeds
----------------	---

**Tray**

145	C2084C	HP LaserJet 4, 4M, 4+, and 4M+ Multi-size 500-sheet tray - Holds letter, Executive, and A4 size paper
146	C2084D	HP LaserJet 4, 4M, 4+, and 4M+ Multi-size 500-sheet tray - Holds letter, legal Executive, and A4 size paper - Only fits C2083D optional 500 sheet feeder assembly
147	C2085D	HP LaserJet 4 Plus and 4M Plus Multi-size paper tray - Holds 250 sheets of letter, legal, Executive, or A4 size paper
148	C2085E	HP LaserJet 4 Plus and 4M Plus Letter paper input tray - Holds 250 sheets of 8.5in x 11in letter size paper
149	C2085F	HP LaserJet 4 Plus and 4M Plus A4 paper input tray - Holds 250 sheets of 8.3in x 11.7in A4 size paper

**Other Accessories****Brush**

150	RB1-2260-000CN	Cleaning brush - For cleaning the antistatic teeth
-----	----------------	--

**Cartridge**

92298A	Black toner (EP) cartridge - With 'Micro-Fine' toner - Prints approximately 6,800 pages
92298X	Maximum black toner (EP) cartridge - With 'Micro-Fine' toner - Prints approximately 8, 800 pages

**Manual**

C2037-90901	LaserJet 4 Plus/4M Plus printer user's manual (English) NO LONGER SUPPLIED
C2037-90903	LaserJet 4 Plus/4M Plus printer user's manual (German) NO LONGER SUPPLIED
C2037-90904	LaserJet 4 Plus/4M Plus printer user's manual (Italian) NO LONGER SUPPLIED
C2037-90905	LaserJet 4 Plus/4M Plus printer user's manual (French) NO LONGER SUPPLIED
C2037-90906	LaserJet 4 Plus/4M Plus printer user's manual (Spanish) NO LONGER SUPPLIED
C2037-90907	LaserJet 4 Plus/4M Plus printer user's manual (Swedish) NO LONGER SUPPLIED
C2037-90908	LaserJet 4 Plus/4M Plus printer user's manual (Norwegian) NO LONGER SUPPLIED
C2037-90909	LaserJet 4 Plus/4M Plus printer user's manual (Danish) NO LONGER SUPPLIED

**Other Accessories****Manual**

C2037-90910	LaserJet 4 Plus/4M Plus printer user's manual (Dutch) NO LONGER SUPPLIED
C2037-90911	LaserJet 4 Plus/4M Plus printer user's manual (Finnish) NO LONGER SUPPLIED
C2037-90912	LaserJet 4 Plus/4M Plus printer user's manual (Portuguese) NO LONGER SUPPLIED
C2037-90913	LaserJet 4 Plus/4M Plus printer user's manual (Polish) NO LONGER SUPPLIED
C2037-90914	LaserJet 4 Plus/4M Plus printer user's manual (Turkish) NO LONGER SUPPLIED
C2037-90917	LaserJet 4 Plus printer 'Getting Started' manual (English) NO LONGER SUPPLIED
C2037-90919	LaserJet 4 Plus printer 'Getting Started' manual (German) NO LONGER SUPPLIED
C2037-90920	LaserJet 4 Plus printer 'Getting Started' manual (Italian) NO LONGER SUPPLIED
C2037-90921	LaserJet 4 Plus printer 'Getting Started' manual (French) NO LONGER SUPPLIED
C2037-90922	LaserJet 4 Plus printer 'Getting Started' manual (Spanish) NO LONGER SUPPLIED
C2037-90923	LaserJet 4 Plus printer 'Getting Started' manual (Swedish) NO LONGER SUPPLIED
C2037-90924	LaserJet 4 Plus printer 'Getting Started' manual (Norwegian) NO LONGER SUPPLIED
C2037-90925	LaserJet 4 Plus printer 'Getting Started' manual (Danish) NO LONGER SUPPLIED
C2037-90926	LaserJet 4 Plus printer 'Getting Started' manual (Dutch) NO LONGER SUPPLIED
C2037-90927	LaserJet 4 Plus printer 'Getting Started' manual (Finnish) NO LONGER SUPPLIED
C2037-90928	LaserJet 4 Plus printer 'Getting Started' manual (Portuguese) NO LONGER SUPPLIED
C2037-90929	LaserJet 4 Plus printer 'Getting Started' manual (Polish) NO LONGER SUPPLIED
C2037-90930	LaserJet 4 Plus printer 'Getting Started' manual (Turkish) NO LONGER SUPPLIED
C3129-90901	C3129A PostScript SIMM technical reference guide NO LONGER SUPPLIED
C3916-90984	LaserJet 4, 4M, 4+, 4M+, 5, 5M, and 5N printer combined service manual (English) - Also includes installation and service and parts information on the C3157A and C3920A duplexers
5021-8943	LaserJet quick reference guide - Volume 1 of 2 volume set
5090-3390	LaserJet quick reference guide - Volume 2 of 2 volume set

**Manual Kit**

5021-0377	HP-GL/2, PCL5 and PJP technical reference manual kit
-----------	--

**Packaging**

C2001-00906	Packaging (Shipping box) kit NO LONGER SUPPLIED
-------------	--

**Software**

C6072-60301	HP-GL/2 driver software for AutoCAD - For DOS and Windows 3.1/95/NT 4.0 - On 3.5-inch 1.44MB floppy disks (English)
C6072-60304	HP-GL/2 driver software for AutoCAD - For DOS and Windows 3.1/95/NT 4.0 - On 3.5-inch 1.44MB floppy disks (German)



**Other Accessories****Software**

C6072-60305	HP-GL/2 driver software for AutoCAD - For DOS and Windows 3.1/95/NT 4.0 - On 3.5-inch 1.44MB floppy disks (French)
C6072-60306	HP-GL/2 driver software for AutoCAD - For DOS and Windows 3.1/95/NT 4.0 - On 3.5-inch 1.44MB floppy disks (Spanish)
C6072-60307	HP-GL/2 driver software for AutoCAD - For DOS and Windows 3.1/95/NT 4.0 - On 3.5-inch 1.44MB floppy disks (Italian)

**Training Kit**

C2037+49A-61	Self paced training kit for LaserJet 4, 4M, 4+, and 4M+ - Includes service manual, NTSC format video (VHS), and five tests - Also includes 'LaserJet Basics' course NO LONGER SUPPLIED
C2037+49A-62	Self paced training kit for LaserJet 4, 4M, 4+, and 4M+ - Includes service manual, NTSC format video (VHS), and five tests - Does NOT include 'LaserJet Basics' course NO LONGER SUPPLIED
C2037+49A-64	Self paced training kit for LaserJet 4, 4M, 4+, and 4M+ - Includes service manual, PAL format video (VHS), and five tests - Does NOT include 'LaserJet Basics' course NO LONGER SUPPLIED
C3916-67909	Self paced training kit for LaserJet 4, 4M, 4+, 4M+, 5, 5M, and 5N - Includes service manual, NTSC format video (VHS)
C3916-67910	Self paced training kit for LaserJet 4, 4M, 4+, 4M+, 5, 5M, and 5N - Includes service manual, PAL format video (VHS)

**Training Test**

5961-0882	Additional self paced training test - Contains 5 tests for 'LaserJet Basics' NO LONGER SUPPLIED
C3916-90995	Additional self paced training test - Contains 5 tests for the LaserJet 5 series - Also covers the LJ 4, 4+, 4M, and 4M+

**Other Internal Parts****Cable**

197	RG5-0529-000CN	Cable assembly - From paper control board to envelope feeder
198	RG5-0975-000CN	Cable assembly - 8 pin (F) connector to both a 16.5cm (6.5 inch) cable with a 4 pin (F) connector and a 22.5cm (8.9 inch) cable with a ferrite and a 6 pin (F) connector
199	RG5-0976-000CN	Cable assembly - 7 pin (F) connector on each end - 31.1cm (12.3 inches) long
200	RG5-0978-000CN	Cable assembly - From DC controller to main motor
201	RG5-0979-000CN	Cable assembly - From DC controller to connector board assembly - For high voltage connector block

**Cover**

202	RB1-2141-000CN	Inner cover plate
203	RB1-2226-000CN	High voltage cover - Plastic 'Pan' for high voltage board
204	RB1-3481-020CN	Cover for gear cluster (Main Drive train) assembly
205	RF5-0739-000CN	SIMM access cover plate

**Fan**

206	RH7-1177-000CN	Fan assembly
-----	----------------	--------------

**Guide**

207	RB1-2107-000CN	Cassette guide - Paper cassette support guide NO LONGER SUPPLIED
	RF5-1079-000CN	Right cassette guide (L-shaped)

**Laser/Scanner**

209	C2037-69008	Laser/scanner assembly REQUIRES RETURN OF DEFECTIVE PART
	RG5-0903-070CN	<i>New Part for C2037-69008</i>

**Lever**

210	RB1-2138-000CN	Top cover interlock lever
-----	----------------	---------------------------

**Other Internal Parts**
**PC Board**

- 211 RG5-0515-000CN Interconnect board - Includes cable to A/C power module - Connects DC controller and high voltage power supply to fusing assembly

**Shield**

- 212 RF5-0746-000CN Formatter RFI shield

**Shutter**

- 213 RB1-2080-000CN Laser shutter - Attaches to bottom of laser/scanner assembly

**Support**

- 214 RB1-2105-030CN Toner cartridge support - Black plastic bar that attaches above the toner cartridge

**Paper Path Parts**
**Arm**

- 215 RB1-2133-000CN 'Paper out' sensor arm

**Base**

- 216 RG5-0467-060CN Tray 1 base assembly - Attachment point for MP input tray

**Belt**

- 217 XF9-0410-000CN Timing belt

**Brush**

- 218 RB1-2237-020CN Brush - Static eliminating

**Cable**

- 219 RG5-0980-000CN Cable assembly - From DC controller to delivery sensor (PS3)

**Gear Assembly**

- 220 RG5-0876-050CN Gear cluster (Drive train) assembly

**Guide**

- 221 RB1-2131-000CN Paper guide - Guides paper out of tray 1  
NO LONGER SUPPLIED
- 222 RB1-2236-000CN Feeder guide - Ribbed (Gray) metal plate at top of printer
- 223 RF5-0532-000CN Upper delivery guide - On top of paper output assembly
- 224 RG5-0468-000CN Transfer guide assembly - Ribbed paper guide for the high voltage transfer roller (Does NOT include transfer roller)
- 225 RG5-0469-020CN Transfer guide assembly - Plate between toner cartridge & fuser

**Holder**

- 226 RB1-2181-000CN Guide roller holder (U-shaped)
- 227 RB1-2259-040CN Rear paper holder
- 228 RF5-0369-040CN Front paper holder

**Kit**

- C2037-69010 Maintenance kit (120V) - Includes fusing assembly, separation pad, transfer roller, multipurpose pickup roller, upper cassette pickup roller, and lower cassette pickup roller  
NO LONGER SUPPLIED  
REQUIRES RETURN OF DEFECTIVE PART
- C2037-67912 *New Part for C2037-69010*
- C2037-69011 Maintenance kit (220V) - Includes fusing assembly, separation pad, transfer roller, multipurpose pickup roller, upper cassette pickup roller, and lower cassette pickup roller  
NO LONGER SUPPLIED
- H3968-60001 Paper exit jam repair kit - Includes upper and lower delivery rollers, output rollers and roller pressure springs - Installation procedure requires service manual

**Paper Path Parts****Motor**

- 232 RH7-1197-000CN Paper pickup motor  
233 RH7-1301-000CN Main motor assembly

**PC Board**

- 237 RG5-0514-000CN Sensor board - Narrow board w/ sensors

**Pad**

- 234 RF5-0343-000CN Separation pad (Rectangular) - For multipurpose tray input

**Paper Output Unit**

- 235 RG5-0886-070CN Paper output assembly - Belt driven

**Paper Pick-Up**

- 236 C2037-69003 Paper pickup (Feeder) assembly (Motor driven)

**Roller**

- 238 RB1-2127-000CN Pickup roller (Oval shaped) - For multipurpose tray  
239 RB1-2182-000CN Guide roller - In center of paper feed assembly  
240 RB1-2253-000CN Guide roller - Fits on paper guide  
241 RB1-2299-030CN Delivery roller - Double roller in paper output assembly  
242 RB1-3477-000CN Pickup roller (Quarter circle shaped) - For upper cassette  
243 RF5-0349-000CN Transfer roller - Goes in paper guide/hv contact plate assembly  
244 RF5-1077-030CN Lower delivery roller - Shaft with 4 double rollers on it  
245 RF9-1326-000CN Upper delivery roller - Shaft with 7 rollers on it

**Roller/Holder**

- 246 RF5-0425-040CN Output roller & holder  
247 RF5-0747-000CN Roller

**Sensor**

- 248 RG5-0466-000CN Leading edge registration sensor and PC paper out sensor  
249 RG5-0475-060CN Paper exit (Delivery) sensor assembly  
250 WG8-0291-000CN Photo sensor

**Solenoid**

- 251 RH7-5071-000CN Pickup solenoid (SL1) - For the paper cassette paper pickup (feed) roller  
252 RH7-5075-000CN Pickup solenoid (SL2) - For multipurpose tray pickup roller

**Spring**

- 253 RB1-2302-000CN Delivery roller spring (U-shaped)  
254 RS5-2267-000CN Spring - For delivery roller holder in paper output

**Power Supplies and Parts****Base**

- 255 RB1-2118-000CN Base structure - For the power switch actuator assembly - Does NOT include the power switch  
NO LONGER SUPPLIED

**Button**

- 256 RB1-2119-000CN Power switch button (Rocker)  
NO LONGER SUPPLIED

**Cable**

- 257 RG5-0526-000CN Cable assembly - From DC controller to AC power supply

**Power Cord**

- 8120-1351 Power cord (Mint Gray) - 17 AWG, 2.3m (7.5ft) long - Has straight (F) receptacle (For 240V in the UK, Hong Kong, Singapore, Malaysia, and Brunei)

**Power Supplies and Parts****Power Cord**

8120-1369	Power cord (Mint Gray) - 17 AWG, 2.0m (6.6ft) long - Has straight (F) receptacle (For 240V in Australia, New Zealand, and China)
8120-1378	Power cord (Jade Gray) - 18 AWG, 2.3m (7.5ft) long - Has straight (F) receptacle (For 120V in USA, Canada, Latin America, Korea, Taiwan, Thailand, Spain, Brazil, and Vietnam)
8120-1689	Power cord (Mint Gray) - 17 AWG, 2.0m (6.6ft) long - Has straight (F) receptacle (For 220V in Europe, Bangladesh, Indonesia, Pakistan, Burma, Sri Lanka, and Vietnam)
8120-2104	Power cord (Mint Gray) - 2.0m (6.6ft) long - Has straight (F) receptacle (For 220V in Switzerland)
8120-2956	Power cord (Mint Gray) - 2.0m (6.6ft) long - Has straight (F) receptacle (For 220V in Denmark)
8120-4211	Power cord (Mint Gray) - 17 AWG, 2.0m (6.6ft) long - Has straight (F) receptacle (For 240V in South Africa and India)

**Power Supply**

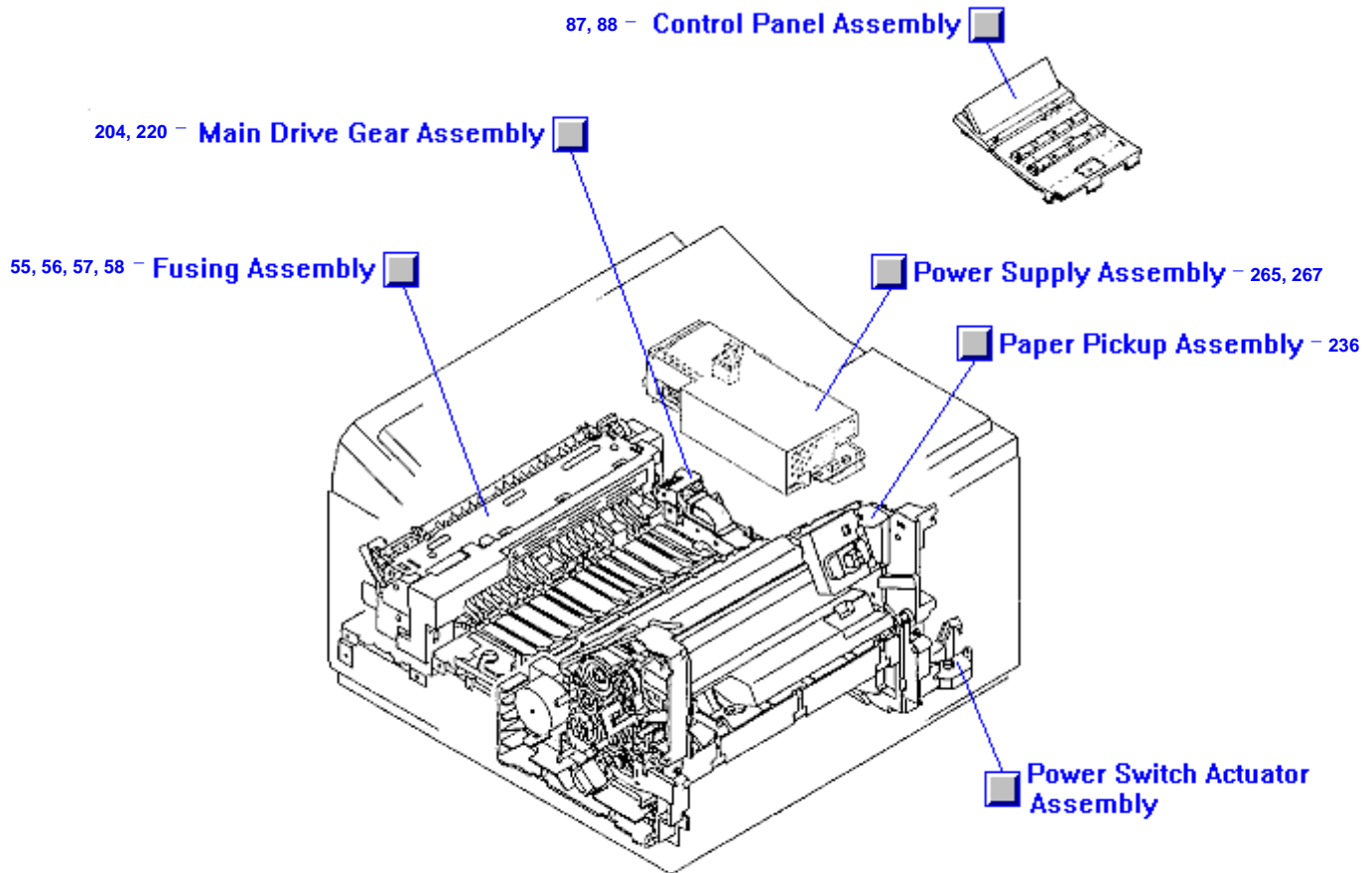
265	C2037-69007	Power supply assembly - 220/240VAC REQUIRES RETURN OF DEFECTIVE PART
	<i>RG5-2500-000CN</i>	<i>New Part for C2037-69007</i>
266	RG5-0969-040CN	High voltage power supply assembly
267	RG5-2499-000CN	Power supply assembly - 100-120VAC input

**Rod**

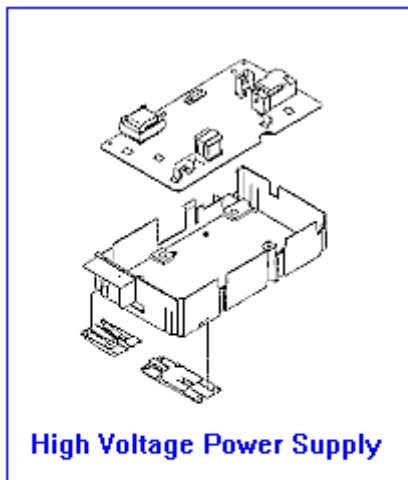
268	RB1-2352-000CN	Power switch rod - From main switch assembly to power supply
-----	----------------	--

Main Assembly Locator (1 of 2)

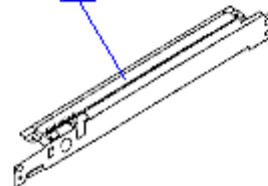
2 of 2 →



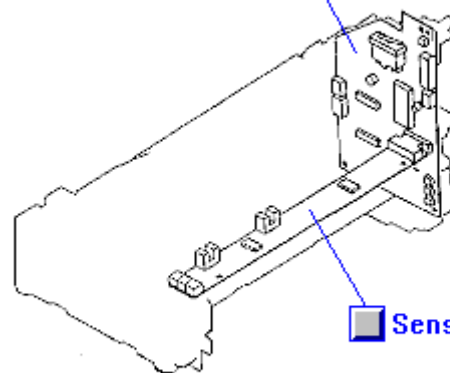
225 - Transfer Guide Assembly



266

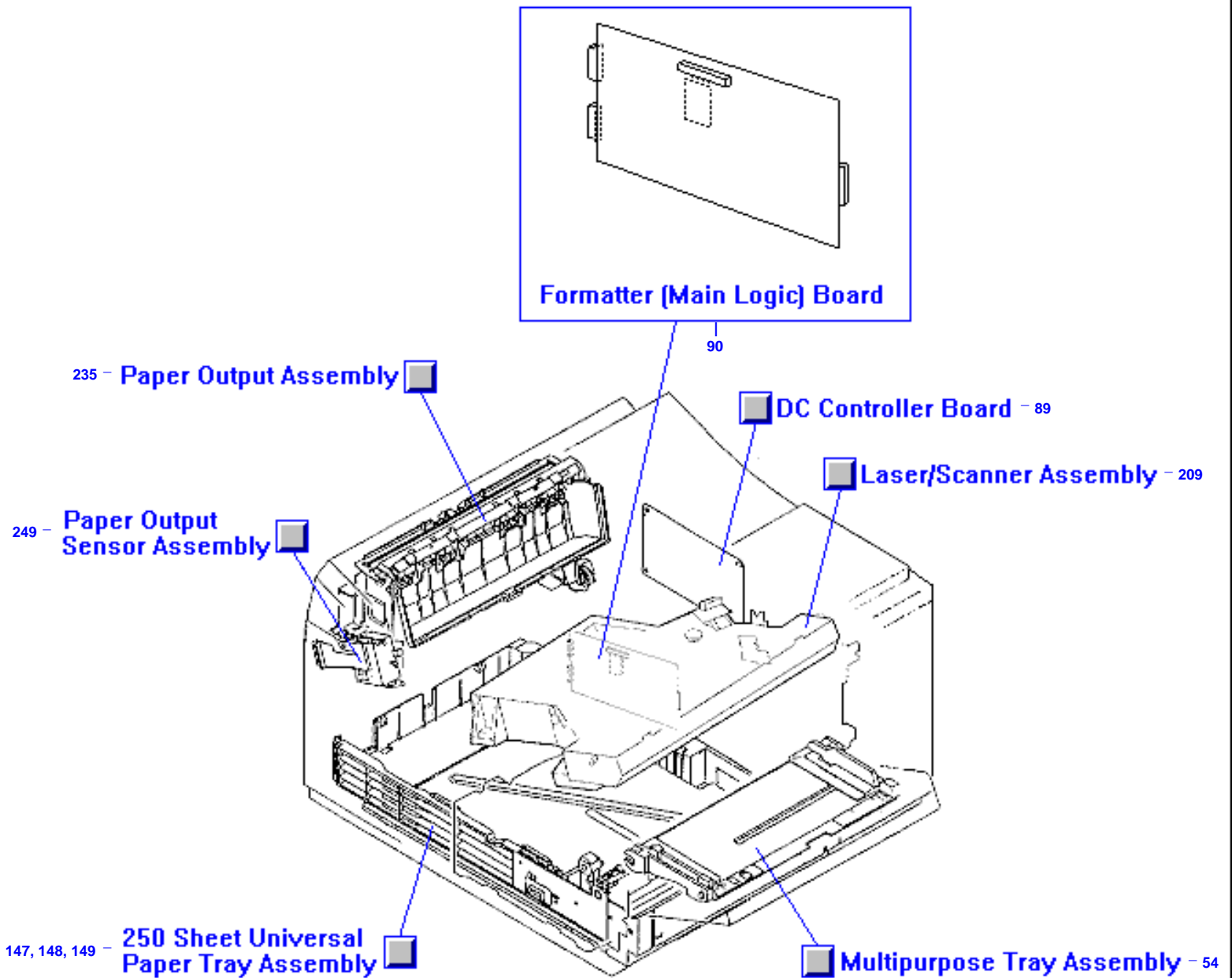


Paper Control Board - 91

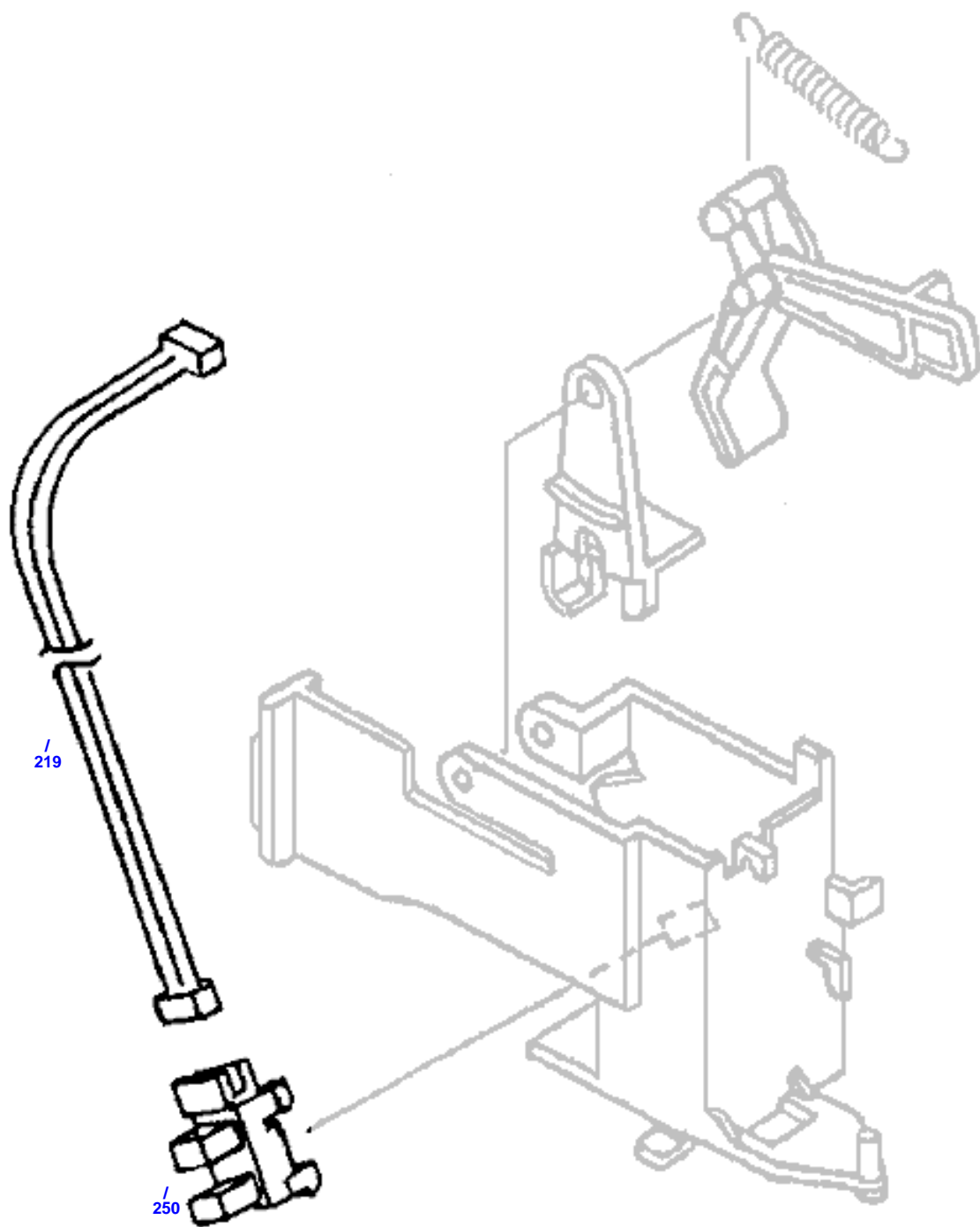


Main Assembly Locator (2 of 2)

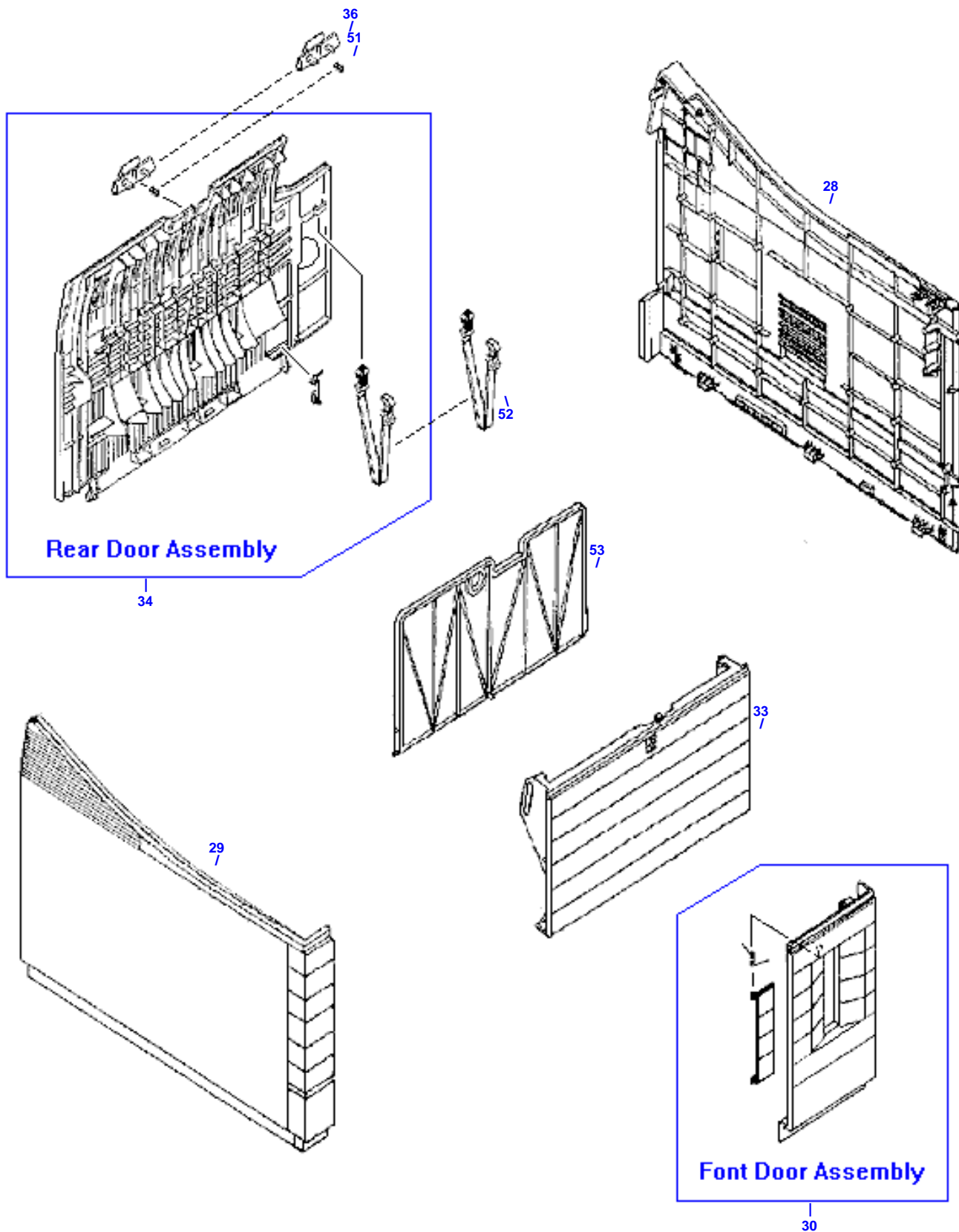
← 1 of 2



## Delivery Sensor Assembly

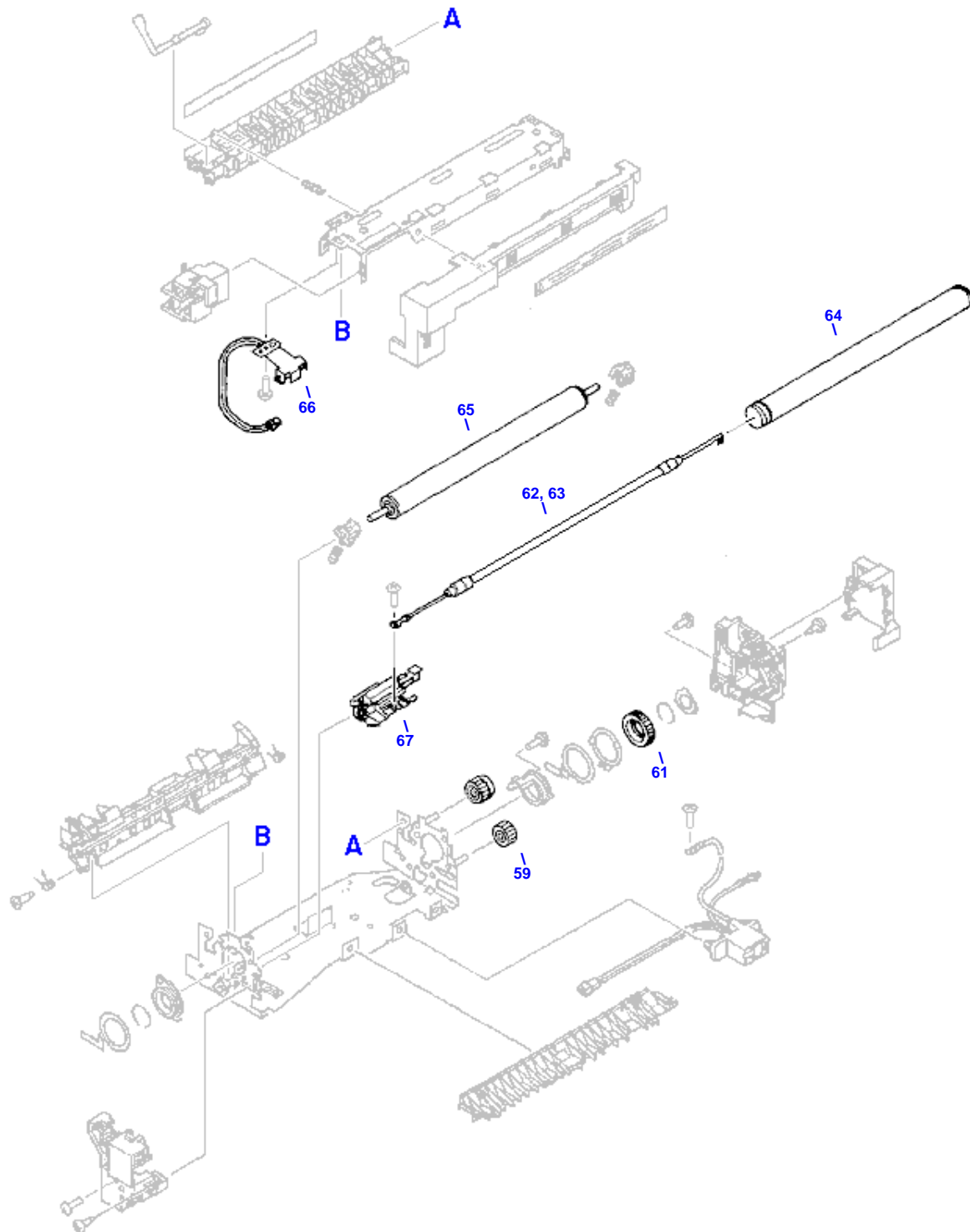
249 -  Delivery Sensor Assembly

## External Covers and Panels



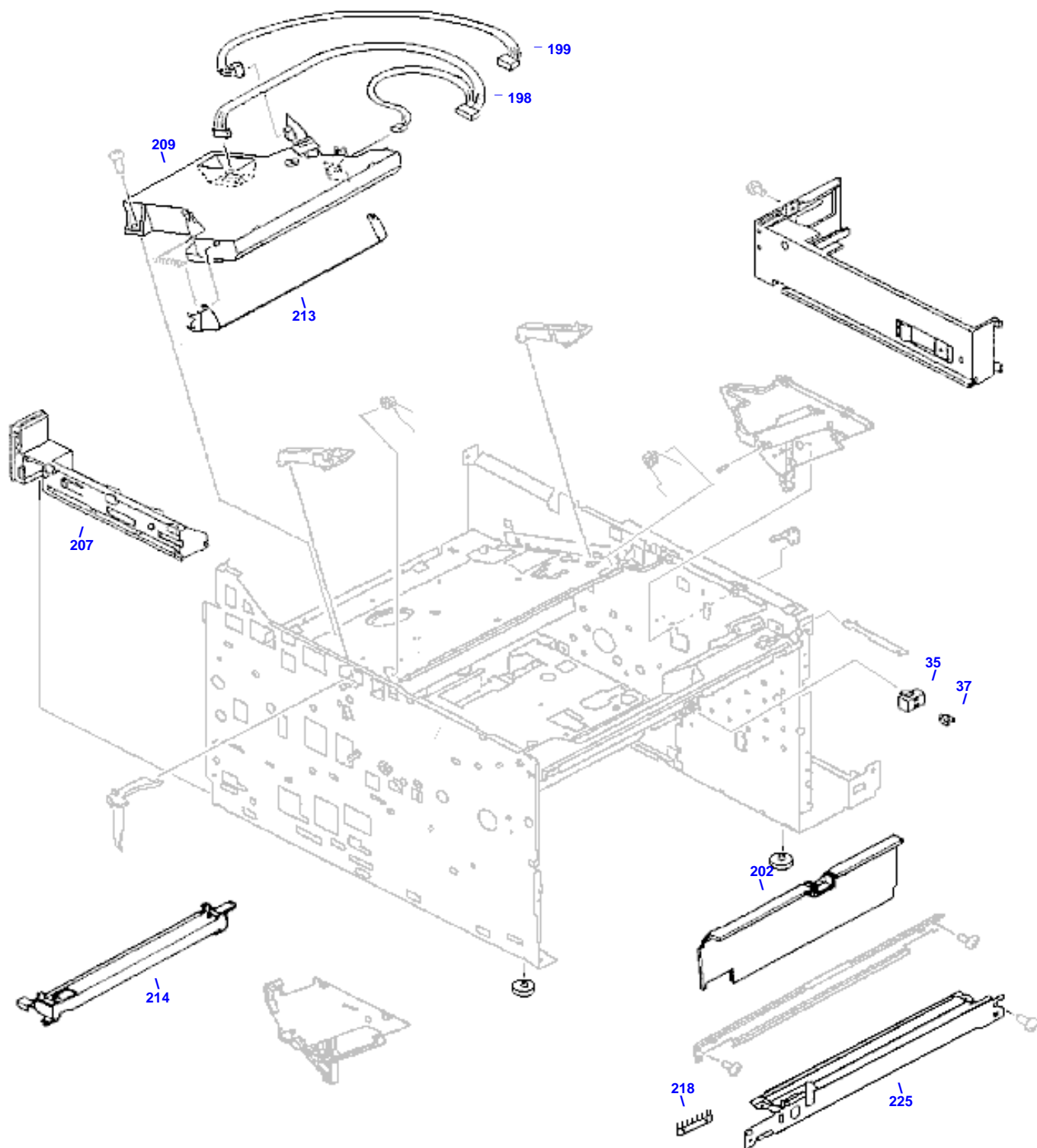


## Fusing Assembly

55, 56, 57, 58 -  Fusing Assembly

## Internal Components (1 of 4)

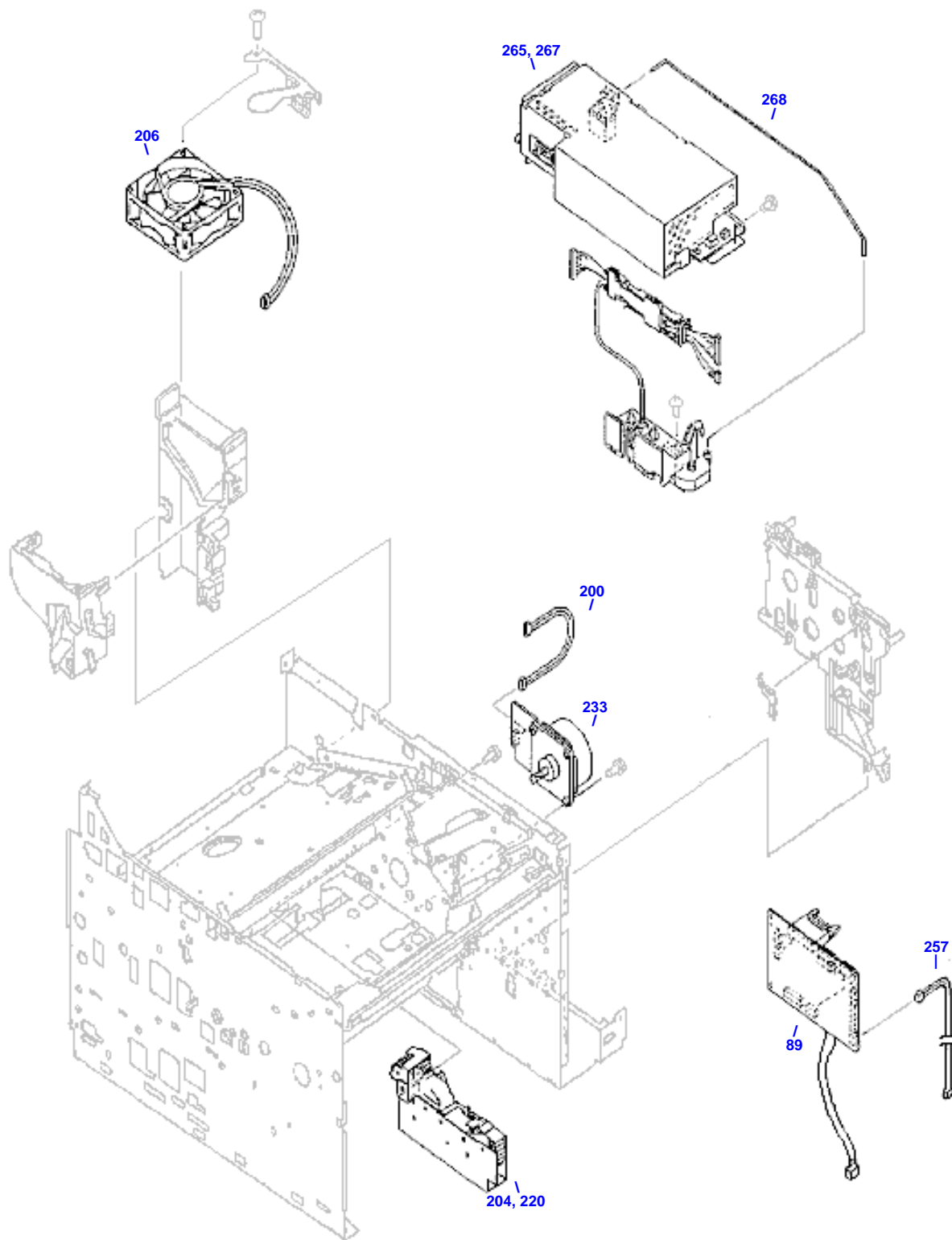
2 of 4 →



Internal Components (2 of 4)

← 1 of 4

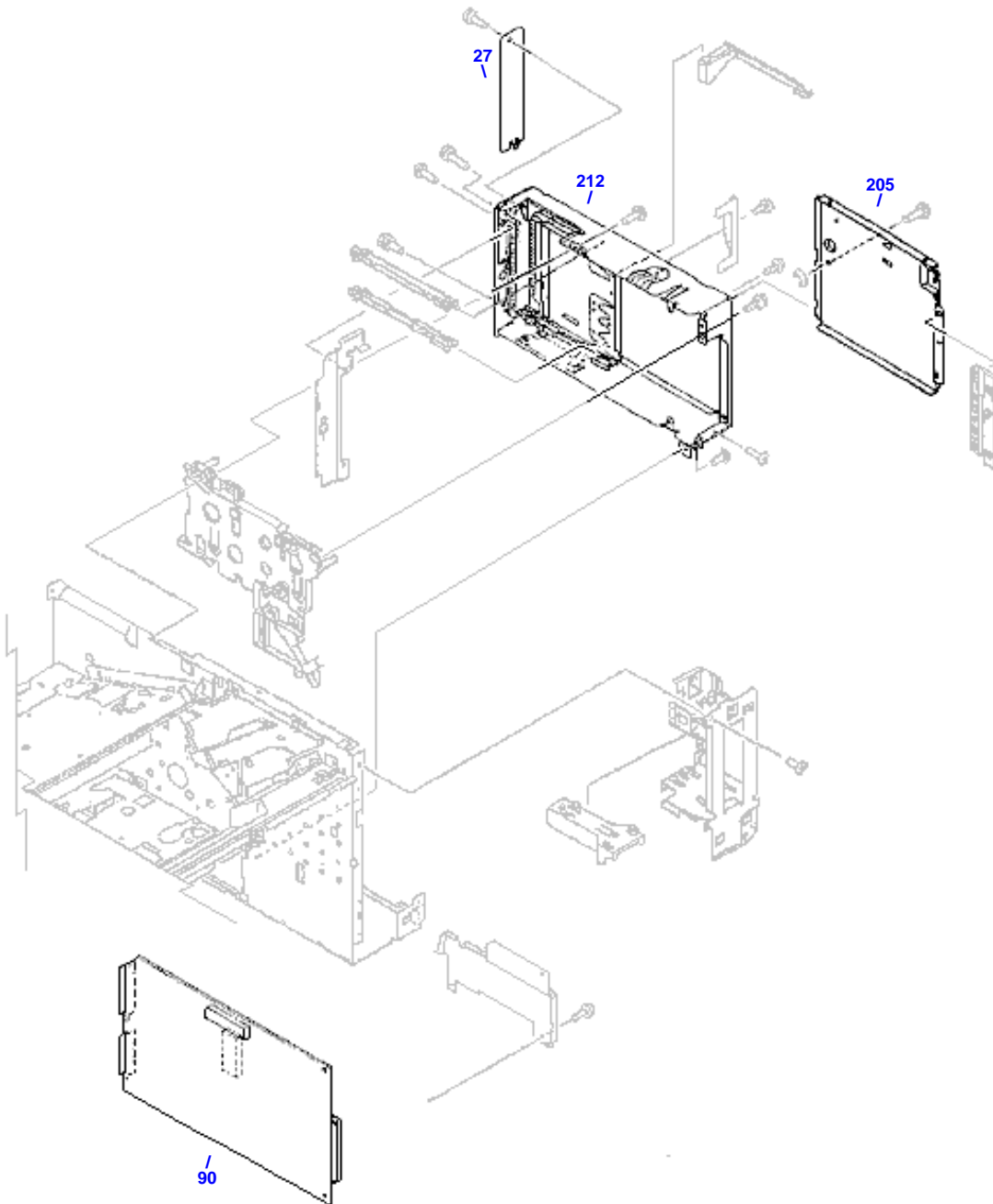
3 of 4 →



## Internal Components (3 of 4)

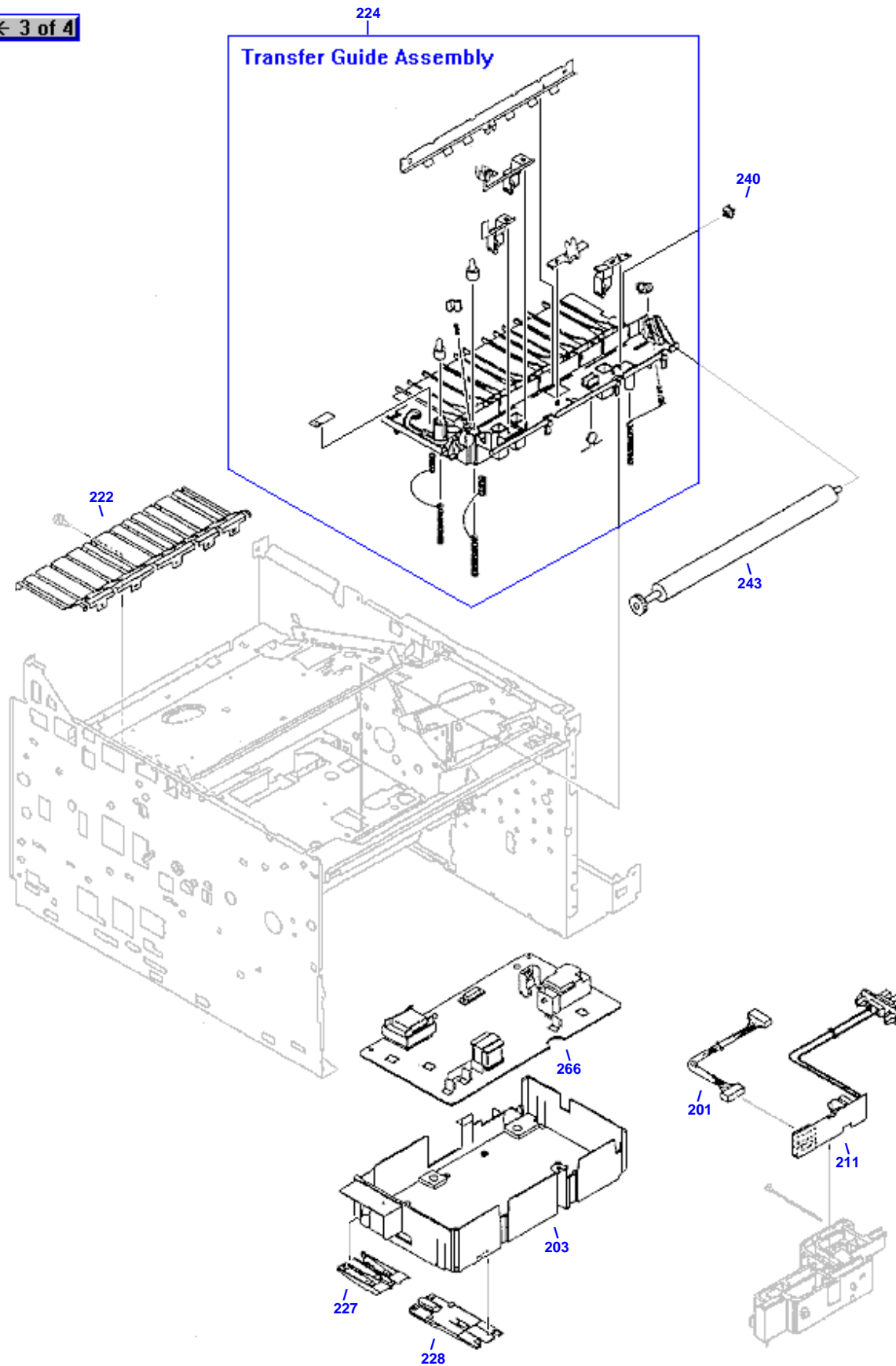
← 2 of 4

4 of 4 →

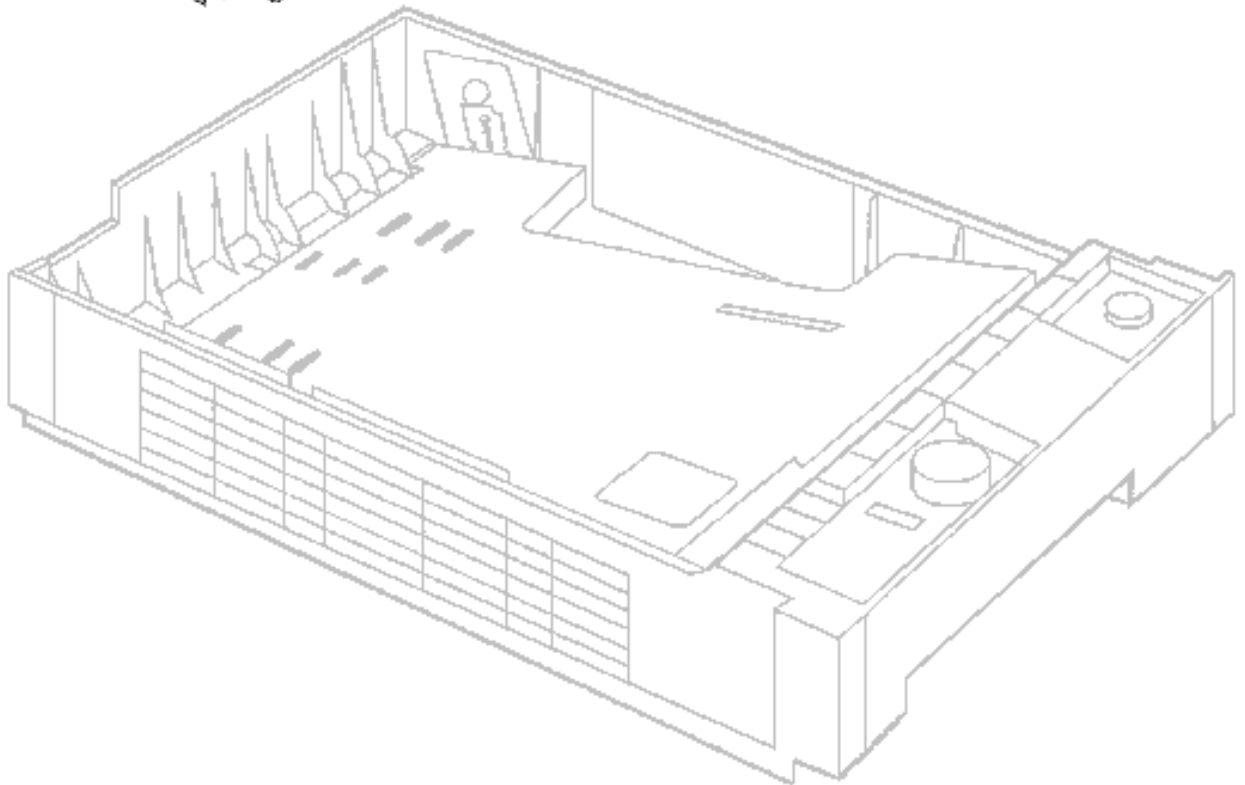
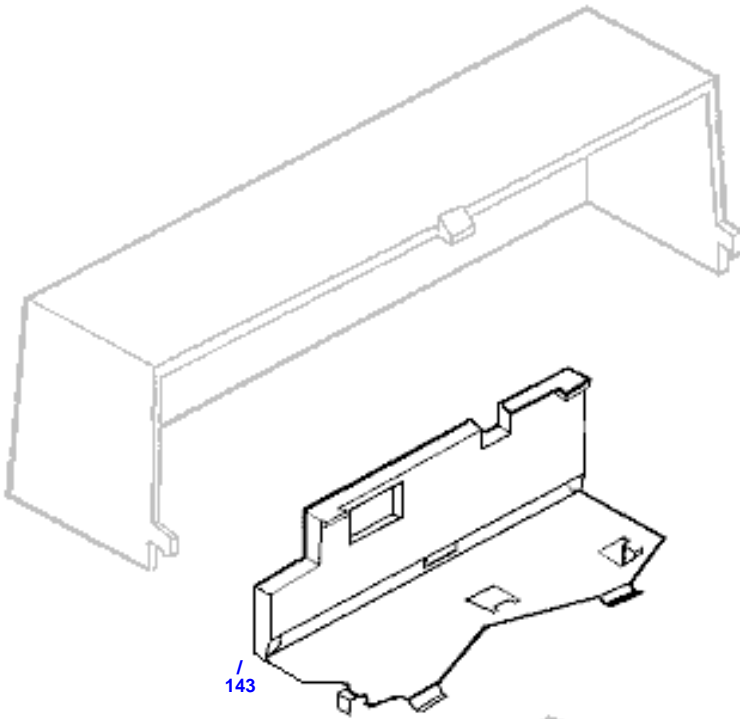


## Internal Components (4 of 4)

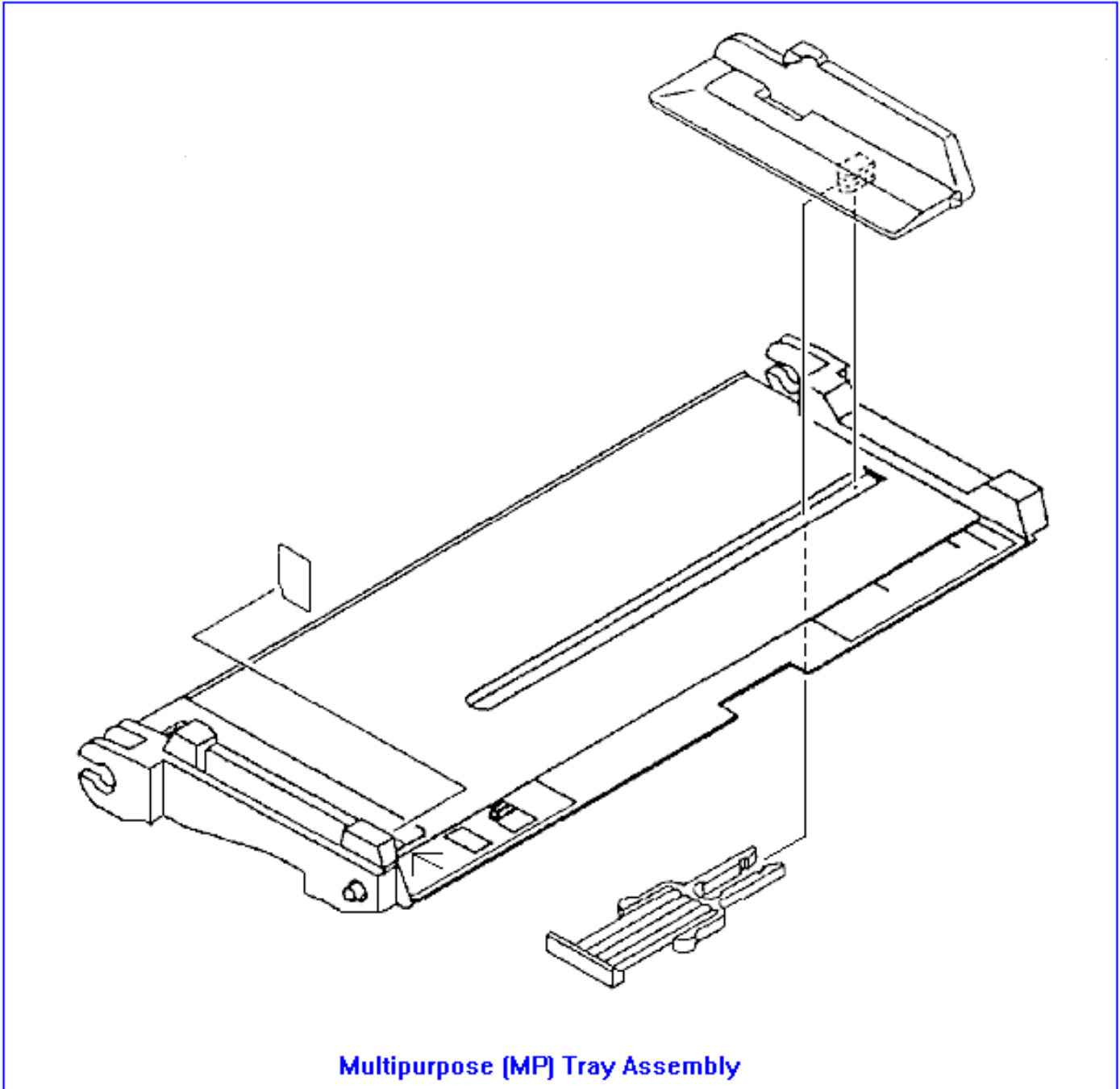
← 3 of 4



## Lower Cassette Tray Assembly

145, 146 -  Lower Cassette Tray Assembly

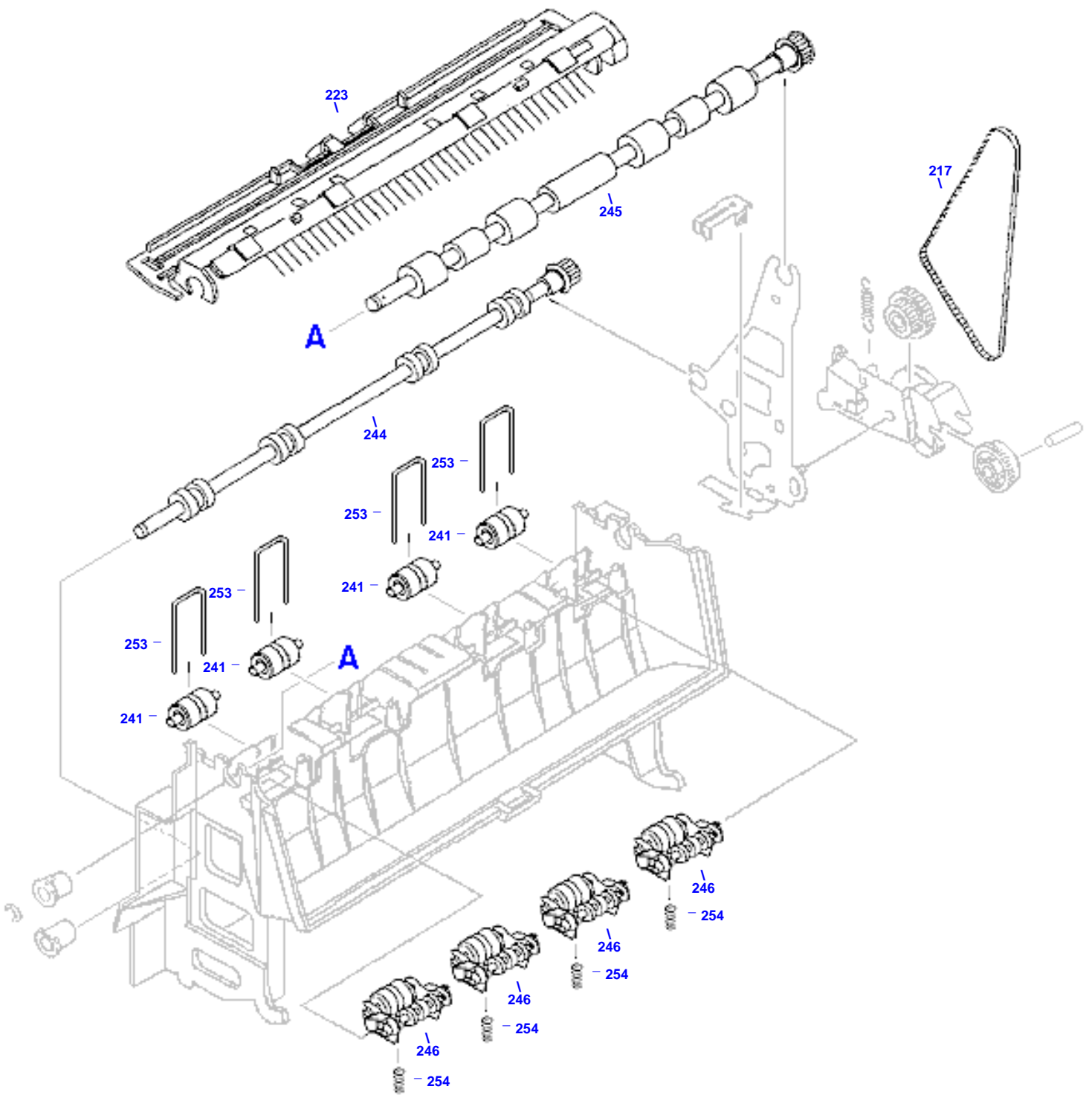
Multipurpose (MP) Tray Assembly



Multipurpose (MP) Tray Assembly

Paper Output Assembly

235 -  Paper Output Assembly

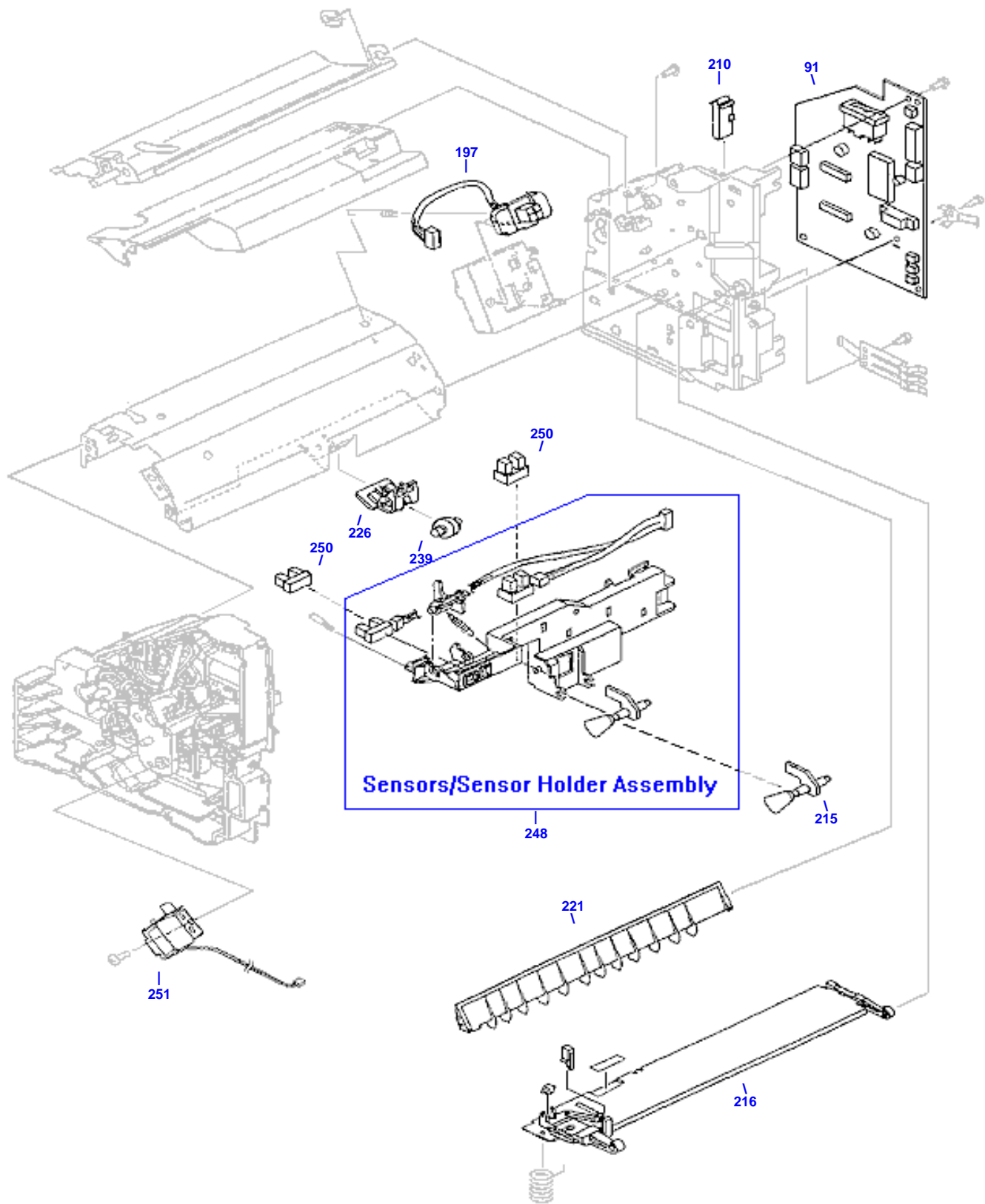




## Paper Pickup Assembly (1 of 2)

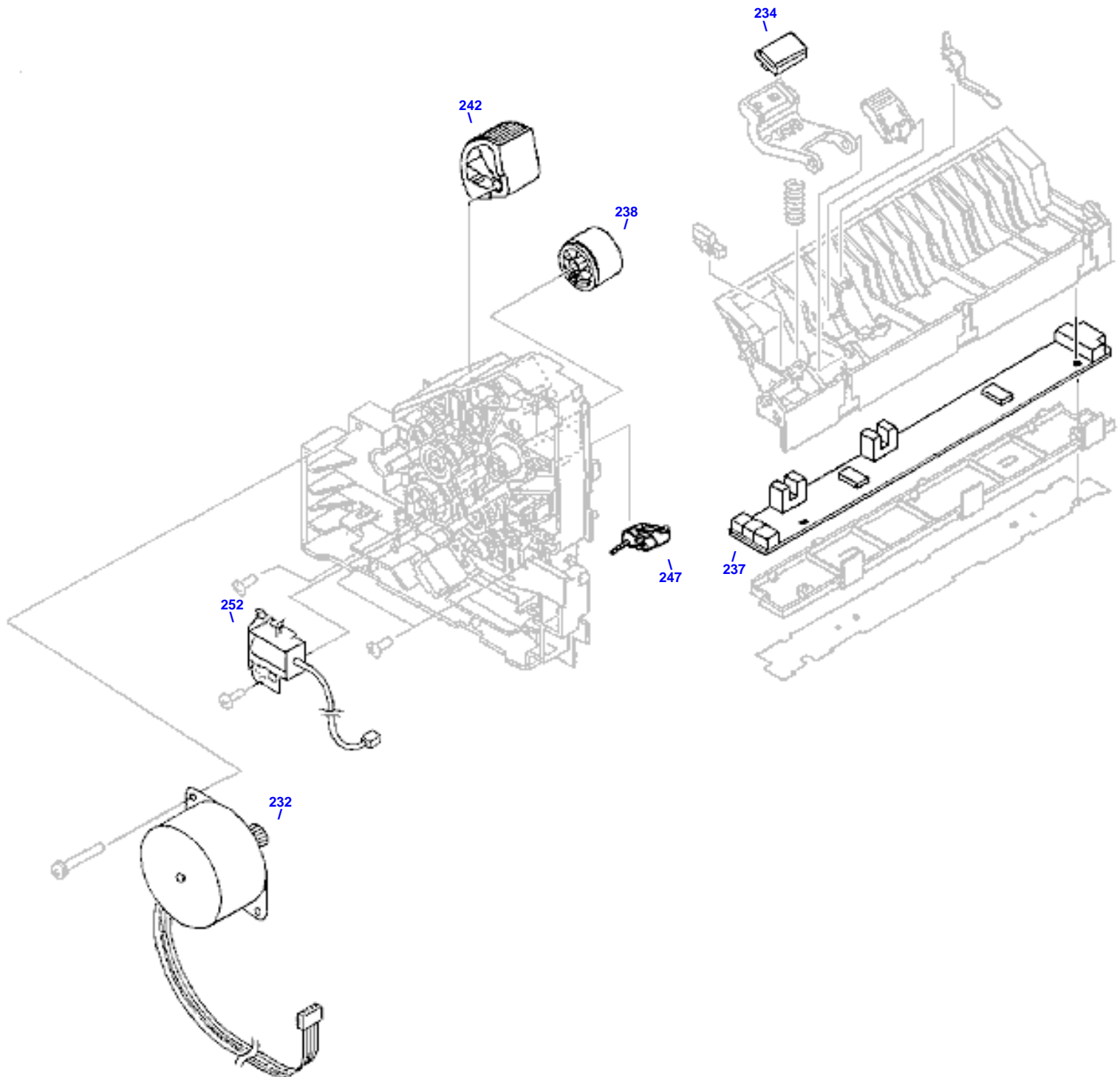
236 -  Paper Pickup Assembly

2 of 2 →

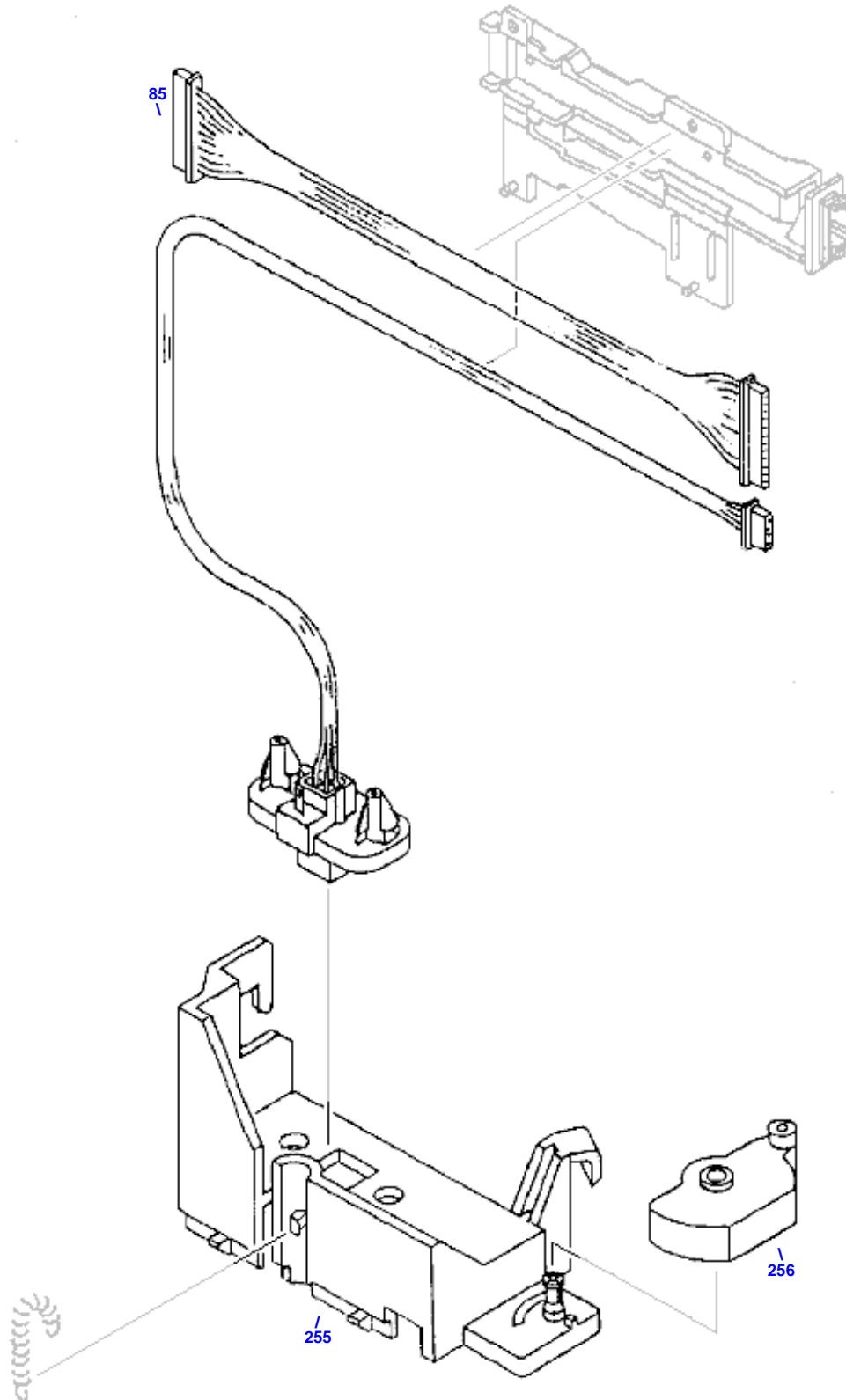


## Paper Pickup Assembly (2 of 2)

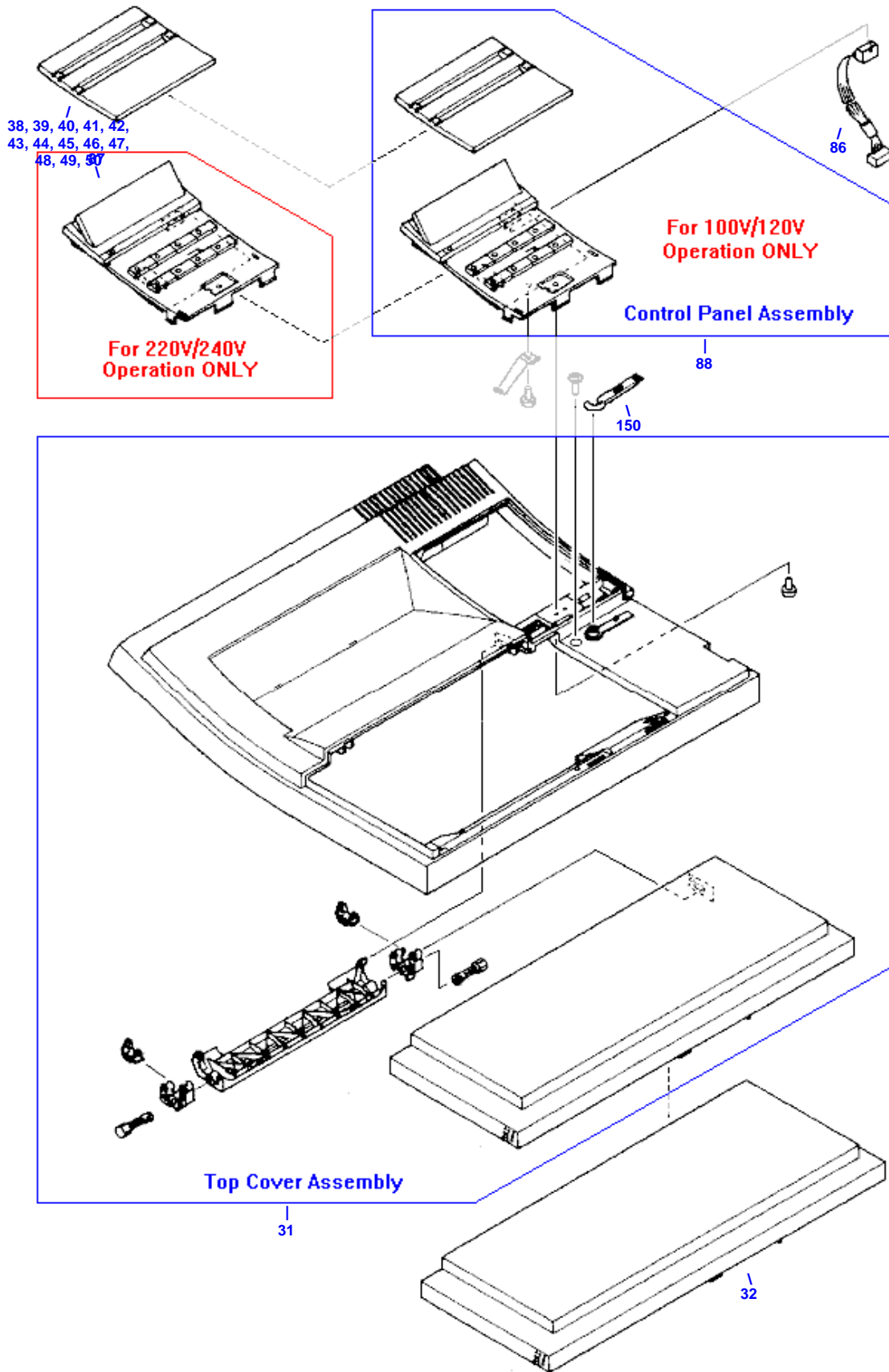
← 1 of 2

236  Paper Pickup Assembly

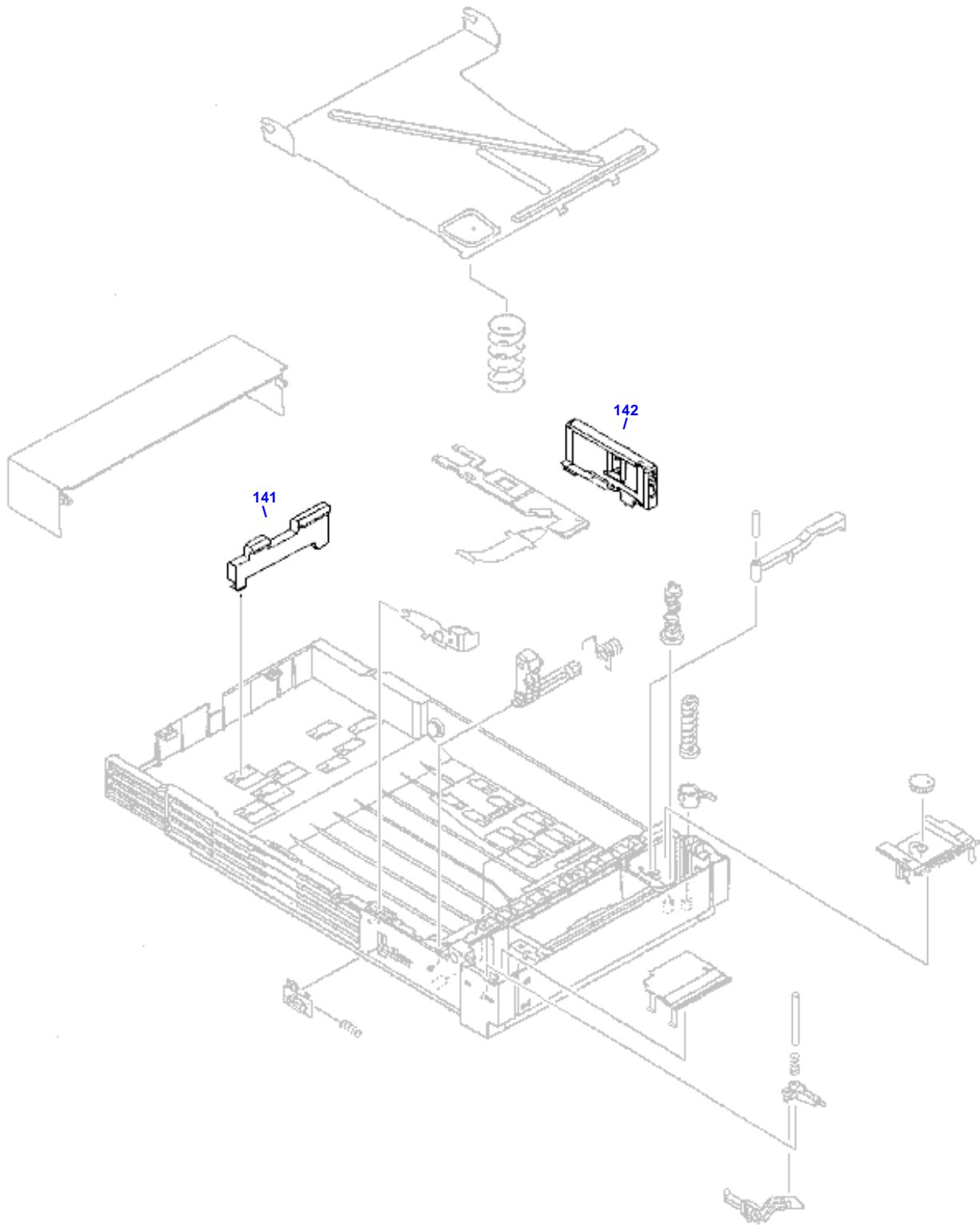
Power Switch Actuator Assembly



Top Cover Assembly



## Universal Paper Tray

147, 148, 149 -  Universal Paper Tray



**HP Parts Reference Guide**

<http://www.hp.com/go/parts>

**HP PartSurfer**

<http://partsurfer.hp.com>

**HP Parts Ordering Information**

<http://www.hp.com/go/hpparts>

**HP Parts Questions/Comments**

<http://partsurfer.hp.com/contactus.htm>