

Accessories**Cleaning Supplies**

5090-3379 Toner cleaning cloth - Specially treated cloth for absorbing toner (1 per package) - Ideal for clening up toner spills

C3157A Duplexer Parts**Guide**

- 2 RA2-2094-000CN Upper feed guide - Upper curved paper feed guide
3 RA2-2095-000CN Lower guide - Lower curved paper feed guide

Link

- 4 RA2-2087-000CN Deflector linkage

C3920A Duplexer Parts**Belt**

- 5 RA2-2072-000CN Timing belt

Brush

- 6 RA2-2083-000CN Static brush
7 RA2-2126-000CN Static brush

Cable

RG1-3529-000CN Sensor cable - From controller PCA to photo sensor PS1

Cover

- 9 RA2-2112-000CN Cable cover
10 RA2-2231-000CN Front cover (L-shaped)
11 RA2-2232-000CN Left cover
12 RA2-2233-000CN Right cover
13 RA2-2237-000CN Lower rear cover
14 RG1-3570-000CN Upper rear cover assembly - Includes paper reversing tray and latch

Deflector

- 15 RA2-2090-000CN Switchback deflector (Shaft with curved deflector fingers) - Attaches to the rear of the switchback guide (in the top of the duplexer)
16 RA2-2119-000CN Paper deflector assembly (Shaft with curved deflector fingers) - Attaches to the front of the switchback guide (in the top of the duplexer) - Solenoid activated

Fan

- 17 RH7-1235-000CN Switchback/duplexer tubeaxial fan assembly

Foot

- 18 RB1-2114-000CN Rubber foot

Gear

- 19 RS1-0586-000CN Reduction gear - 40/24 teeth
20 RS1-0587-000CN Reduction gear - 24/18 tooth
21 RS1-0588-000CN Reduction gear - 33/20 tooth
22 RS1-0589-000CN Roller drive gear - 22 tooth
23 RS1-0590-000CN Drive gear - 32 tooth
24 RS1-0591-000CN Reduction gear - 39/22 tooth
25 RS1-0592-000CN Reduction gear - 54/29 tooth

Gear Assembly

- 26 RS1-0595-000CN Gear/roller - 18 tooth

C3920A Duplexer Parts**Guide**

- 27 RA2-2088-000CN Switchback guide - Large ribbed piece in the top of the switchback area of the duplexer
- 28 RF1-3811-000CN Paper feed guide

Holder

- 29 RA2-2089-000CN Roller holder - Pinch roller holder

Link

- 30 RF1-3806-000CN Holding tray linkage

Motor

- 31 RF1-3813-000CN Stepper motor
- 32 RF1-3814-000CN Rear motor
- 33 RF1-3815-000CN Front motor

PC Board

- 34 RG1-3582-000CN Duplexer controller board

Pin

- RS1-7009-000CN Switchback pin - Pivot point of switchback assembly

Power Supply

- 36 RG1-3503-000CN Power supply assembly

Roller

- 37 RA2-2093-000CN Pinch roller - Top of switchback guide
NO LONGER SUPPLIED
- 38 RA2-2102-000CN Guide roller - Non spring loaded rollers on front of switchback guide
- 39 RA2-2118-000CN Paper drive roller (Shaft with four rubber rollers on it) - Mounts in the rear of the switchback area of the duplexer (Rollers extend through cut outs in the rear support frame)
- 40 RA2-2124-000CN Paper drive roller (Shaft with four rubber rollers on it) - Mounts in the top center in the switchback area of the duplexer

Sensor

- 41 WG8-5210-000CN Photo sensor

Solenoid

- 42 RF1-3808-000CN Switchback solenoid - Moves paper deflector

Spring

- 43 RS1-2408-000CN Switchback tension spring - Provides tension for switchback tray
NO LONGER SUPPLIED
- 44 RS1-2410-000CN Deflector spring - Provides tension for duplex paper switchback paper deflector assembly
NO LONGER SUPPLIED
- 45 RS1-2411-000CN Roller holder spring - Provides tension for pinch roller
- 46 RS1-2412-000CN Deflector spring - Provides tension for switchback defelctor at top back of duplexer

C3921A Lower Cassette**Arm**

- 47 RB1-2615-000CN Cassette sensor arm

Cable

- 48 RG5-0530-000CN Cable assembly - From paper control board to connector for the optional lower cassette sheet feeder assembly

Drive

- 49 RG5-2209-000CN Lower cassette drive assembly (Drive motor and gears)

Foot

- 50 RB1-2620-000CN Rubber foot

C3921A Lower Cassette**PC Board**

52 RG5-1086-000CN Drive board

Paper Weight

51 RB1-2627-020CN Paper weight - Clips on to paper pickup drive shaft of the lower cassette base drive assembly

Roller

53 RB1-2616-000CN Guide roller - Mounts in the lower cassette base assembly

54 RB1-7983-000CN Pickup roller - Oval shaped

Upgrade Kit

C3921A Lower cassette upgrade (500 sheet feeder) for LaserJet 5/N/M - With 500 sheet multi-size paper tray

Electronic Accessories**Adapter**

C2809A Serial cable adapter - 9-pin male to 25-pin female

Cable (Interface)

24540-80010 Centronics (parallel) cable - 36 pin (M) to 25 pin (M) - 2.0m (6.6ft) long

5063-1256 IEEE-1284 Bi-Tronics parallel cable - DB-25 (M) connector (type A) to 36 pin Centronics (M) connector (type B) - 2.0m (6.6ft) long

5063-1257 IEEE-1284 Bi-Tronics parallel cable - DB-25 (M) connector (type A) to 36 pin Centronics (M) connector (type B) - 3.0m (9.8ft) long

C2932A RS-232C serial cable - 9 pin (M) to 9 pin (F) - 3.0m (9.8ft) long
NO LONGER SUPPLIED

C2933A RS-232C serial cable - 9 pin (M) to 25 pin (F) - 3.0m (9.8ft) long
NO LONGER SUPPLIED

C2950A IEEE-1284 Bi-Tronics parallel cable - DB-25 (M) connector (type A) to 36 pin Centronics (M) connector (type B) - 2.0m (6.6ft) long

5063-1256 *New Part for C2950A*

C2951A IEEE-1284 Bi-Tronics parallel cable - DB-25 (M) connector (type A) to 36 pin Centronics (M) connector (type B) - 3.0m (9.8ft) long

C2990A IEEE-1284 Bi-Tronics parallel cable - DB-25 (M) (type A) to 36 pin (M) Centronics (type B) - 1.8m (6ft) long
NO LONGER SUPPLIED

C2991A IEEE-1284 Bi-Tronics parallel cable - DB-25 (M) (type A) to 36 pin (M) Centronics (type B) - 3.0m (10ft) long
NO LONGER SUPPLIED

Duplexer

C3920A Duplexer assembly - For 2 sided printing

C3920-67901 *New Part for C3920A*

Envelope Feeder

C3927-69001 Power envelope feeder - Holds 75 envelopes

C3927A Power envelope feeder - Holds 75 envelopes

Memory (Product)

C3131A 2MB, 70nS, 36-bit SIMM memory module - For HP LaserJet 4P, 4+, 4V, 5, 5N, 5M, 5P, 5Si
NO LONGER SUPPLIED

C3146-67901 *New Part for C3131A*

C3132A 4MB, 70nS, 36-bit SIMM memory module - For HP LaserJet 4P, 4+, 4V, 5, 5N, 5M, 5P, 5Si
NO LONGER SUPPLIED

C3146-67901 *New Part for C3132A*

C3133A 8MB, 70nS, 36-bit SIMM memory module - For HP LaserJet 4P, 4+, 4V, 5, 5N, 5M, 5P, 5Si
NO LONGER SUPPLIED

C3146-67901 *New Part for C3133A*

C3930A 2MB flash SIMM for LaserJet 5 - Used to store special fonts and forms downloaded from the host
NO LONGER SUPPLIED

Electronic Accessories**Memory (Product)**

C3931A 4MB flash SIMM for LaserJet 5 - Used to store special fonts and forms downloaded from the host
NO LONGER SUPPLIED

Memory (SIMM)

C2747-69501 16MB SIMM memory module
REQUIRES RETURN OF DEFECTIVE PART

1818-5621 New Part for C2747-69501

C3130-60001 1MB, 32-bit SIMM memory module

C3131-67901 2MB, 32-bit SIMM memory module
NO LONGER SUPPLIED

C3146-67901 New Part for C3131-67901

C3132-67901 4MB, 70nS, 36-bit parity SIMM memory module
NO LONGER SUPPLIED

C3146-67901 New Part for C3132-67901

C3133-67901 8MB, 70nS, 36-bit parity SIMM memory module
NO LONGER SUPPLIED

C3146-67901 New Part for C3133-67901

C3146-67901 16MB SIMM memory module

PostScript

C3918-69001 Adobe's PostScript (Level 2) SIMM module - Includes 2MB additional memory & 35 adobe typefaces
REQUIRES RETURN OF DEFECTIVE PART

C3918-67901 New Part for C3918-69001

C3918A Adobe's PostScript (Level 2) SIMM module - Includes 2MB additional memory and 35 adobe typefaces

External Case Parts**Cover**

82 RB1-2366-000CN Empty slot cover

83 RB1-7881-000CN Left side cover

84 RB1-7889-000CN Right front cover assembly - Includes spring loaded font door

85 RF5-1644-000CN Right side cover

86 RG5-2186-000CN Top cover assembly - Includes hinges, top cover, & top door

Door

87 RB1-7883-000CN Door - On top of printer (Lift-up printer access cover) - This part is no longer available - Order the top cover assembly
NO LONGER SUPPLIED

RG5-2186-000CN New Part for RB1-7883-000CN

88 RB1-7886-000CN MP door - On front panel - Does NOT include tray extension

89 RF5-1645-000CN Rear door assembly - Includes support strap, latch, and spring

Foot

90 RB1-2114-000CN Rubber foot

Holder

91 RB1-7903-000CN Left latch holder

92 RB1-7923-000CN Right latch holder

Latch

93 RB1-7890-000CN Rear door latch

94 RB1-7902-000CN MP tray/front door latch

External Case Parts**Nameplate/Logo**

RB1-7925-000CN Nameplate - LaserJet 5

Overlay

96 C3916-40005 Control panel overlay (English)

97 C3916-40006 Control panel overlay (French)

98 C3916-40007 Control panel overlay (Italian)

Spring

99 RS5-2571-000CN Rear door spring - Fits under rear door latch

Strap

100 RB1-2354-000CN Support strap for rear door - Supports door when open

Tray

101 RB1-7885-000CN Multi-Purpose tray extension - Flips out from MP door (Tray)

102 RG5-2199-000CN Multi-Purpose input tray - Attaches to front door

Window

103 RB1-7887-000CN Control panel display window/cover

Fusing Assembly Parts**Fusing Assembly**104 5182-2805 Fusing assembly (240V, 50Hz) - Bonds toner to paper by heat - In quantity price break packaging (Contains 5 New fusing assemblies)
NO LONGER SUPPLIED

105 5182-2806 Fusing assembly (240V, 50Hz) - Bonds toner to paper by heat - In quantity price break packaging (Contains 10 New fusing assemblies)

106 C2037-69001 Fusing assembly (120V) - Bonds toner to paper by heat
REQUIRES RETURN OF DEFECTIVE PARTRG5-0879-130CN *New Part for C2037-69001*107 C2037-69002 Fusing assembly (240V) - Bonds toner to paper by heat
REQUIRES RETURN OF DEFECTIVE PARTRG5-0880-130CN *New Part for C2037-69002***Gear**

108 RS5-0231-000CN Fuser drive gear - 19 tooth

RS5-0232-000CN Fuser output gear - 23 tooth

110 RS5-0388-000CN Fusing roller drive gear - 42 tooth

Lamp

111 RH7-4054-020CN Fusing heat lamp (120v, 60Hz)

112 RH7-4055-020CN Fusing heat lamp (240v, 50Hz)

Roller

113 RB1-3516-020CN Fusing roller - Hollow roller - Heat lamp goes in its core

114 RB1-3517-030CN Lower pressure roller - Hard rubber roller - In fusing assembly

Thermistor

115 RH7-7054-000CN Thermistor assembly - Includes cable

Thermoswitch

116 RG5-0881-000CN Thermoswitch (fuser temperature switch) - At left of fusing roller

Labels and Transparencies

Labels and Transparencies**Film (Transparency)**

- 92296U LaserJet printer transparency film - A4 size (21.0cm x 29.7cm) - 50 sheets per box
92296T LaserJet printer transparency film - A size (8.5 x 11-inches) - 50 sheets per box

Labels

- 92296A LaserJet printer addressing labels - 2.54cm (1.00in) x 6.67cm (2.63in) labels - 30 per sheet - 100 sheets per box
NO LONGER SUPPLIED
- 92296B LaserJet printer addressing labels - 3.38cm (1.33in) x 10.2cm (4.00in) labels - 14 per sheet - 100 sheets per box
NO LONGER SUPPLIED
- 92296C LaserJet printer addressing labels - 2.54cm (1.00in) x 10.2cm (4.00in) labels - 20 per sheet - 100 sheets per box
NO LONGER SUPPLIED
- 92296D LaserJet printer addressing/shipping labels - 5.08cm (2.00in) x 10.2cm (4.00in) labels - 10 per sheet - 100 sheets per box
NO LONGER SUPPLIED
- 92296E LaserJet printer shipping labels - 8.47cm (3.33in) x 10.2cm (4.00in) labels - Six per sheet - 100 sheets per box
NO LONGER SUPPLIED
- 92296F LaserJet printer return address labels - 1.27cm (0.50in) x 4.45cm (1.75in) labels - 80 per sheet - 25 sheets per box
NO LONGER SUPPLIED
- 92296G LaserJet printer file folder labels - 1.69cm (0.67in) x 8.73cm (3.44in) labels - 30 per sheet - 25 sheets per box
NO LONGER SUPPLIED
- 92296H LaserJet printer labels for 3.5-inch diskettes - 7.00cm (2.75in) x 7.00cm (2.75in) labels - Nine per sheet - 70 sheets per box
NO LONGER SUPPLIED
- 92296J LaserJet printer labels for 5.25-inch diskettes - 3.81cm (1.50in) x 10.2cm (4.00in) labels - 12 per sheet - 70 sheets per box
NO LONGER SUPPLIED
- 92296K LaserJet printer full sheet label - A size (8.5 x 11-inches) label - One per sheet - 100 sheets per box
NO LONGER SUPPLIED
- 92296L LaserJet/DeskJet printer labels - 9.91cm (3.90in) x 3.81cm (1.50in) labels on A4 size (21.0cm x 29.7cm) sheet - 14 per sheet - 100 sheets per box
NO LONGER SUPPLIED
- 92296M LaserJet/DeskJet printer labels - 9.91cm (3.90in) x 3.38cm (1.33in) labels on A4 size (21.0cm x 29.7cm) sheet - 16 per sheet - 100 sheets per box
NO LONGER SUPPLIED
- 92296N LaserJet/DeskJet printer labels - 6.35cm (2.52in) x 3.81cm (1.50in) labels on A4 size (21.0cm x 29.7cm) sheet - 21 per sheet - 100 sheets per box
NO LONGER SUPPLIED
- 92296P LaserJet/DeskJet printer labels - 10.0cm (3.94in) x 5.10cm (2.01in) labels on A4 size (21.0cm x 29.7cm) sheet - 10 per sheet - 100 sheets per box
NO LONGER SUPPLIED
- 92296R LaserJet/DeskJet printer labels - 20.0cm (7.86in) x 28.9cm (11.4in) labels on A4 size (21.0cm x 29.7cm) sheet - One per sheet - 100 sheets per box
NO LONGER SUPPLIED

Logic/Control Electronics**Cable**

- 134 RG5-0524-000CN Cable assembly - From DC controller to paper control board
135 RG5-0982-000CN Cable assembly - From DC controller board to the control panel

Control Panel

- 136 RG5-2238-000CN Control panel board (with display) - Does NOT include the panel overlay or display window

PC Board

- 137 C2037-69004 DC controller board
RG5-0966-030CN *New Part for C2037-69004*
- 138 C3919-69001 Formatter (Main logic) board
REQUIRES RETURN OF DEFECTIVE PART
C3919-60001D *New Part for C3919-69001*

Logic/Control Electronics**PC Board**

139 RG5-0512-070CN Paper control board - On right side of paper feed assembly

Optional Interfaces**Interface (Module)**

J4101-61011 External JetDirect 300X print server module (10Base-T and 100Base-T) - Connects between printer parallel port and LAN network - Does NOT include power module - (J4101A, J4101B)

Interface (Product)

C2929A Infrared transceiver pod - Plugs in empty IR port slot - For wireless interfacing with a IRDA compliant PC or notebook PC
NO LONGER SUPPLIED

J2550B EtherTwist (10Base-T) LAN interface board
NO LONGER SUPPLIED

J2552B LAN & LocalTalk interface - Has EtherTwist (10Base-T) , ThinLAN (10Base-2) , and LocalTalk (DIN-8) connectors
NO LONGER SUPPLIED

J2555B Token ring LAN interface board - DB-9 and RJ-45 connectors
NO LONGER SUPPLIED

J2556B EtherTwist (10Base-T) or 100Base-TX LAN interface board - Has an RJ-45 connector
NO LONGER SUPPLIED

J2590A External JetDirect LAN interface module with RJ-45 connector for EtherTwist (10Base-T) or 100VG/802.12 input and 3 parallel (DB-25) output connectors
NO LONGER SUPPLIED

J2591A External JetDirect LAN interface module and power module - Has EtherTwist (10Base-T) and ThinLAN (10Base-2) connectors
NO LONGER SUPPLIED

J3258B External JetDirect 170X LAN interface module - Interfaces a parallel printer to an ethernet 10Base-T (RJ-45) LAN

J3264A External JetDirect 500X token ring interface module - Interfaces up to 3 parallel printers to a token ring (DB-9 or RJ-45) LAN

J3265A External JetDirect 500X LAN interface module - Interfaces up to 3 parallel printers to an ethernet 10Base-T (RJ-45), 10Base2 (BNC), or 100Base-TX (RJ-45) LAN

J4100A JetDirect 400N modular input/output (MIO) - Internal print server - Provides 10/100Base-T or 10Base-2 network connection using RJ45 or BNC connectors

J4105A JetDirect 400N modular input/output (MIO) internal print server - Provides token ring network connection using RJ45 or DB9 connectors

J4106A JetDirect 400N modular input/output (MIO) internal print server - Provides 10Base-T network connection using RJ45 connector

Module

J2382-69003 External JetDirect LAN interface module with ethertwist (10Base-T) and ThinLAN (10BASE-2) connectors

J2383-61005 External token ring interface module - Has DB-9 connector

J2590-69001 External JetDirect LAN interface module with RJ-45 connector for ethertwist (10Base-T) or 100VG/802.12 input and 3 parallel (DB-25) output connectors
REQUIRES RETURN OF DEFECTIVE PART

J2590-61011 New Part for J2590-69001

J2591-69001 External JetDirect LAN interface module with ethertwist (10Base-T) and ThinLAN (10BASE-2) connectors

J2592-69001 External JetDirect LAN interface module with ethertwist (10Base-T) connector
REQUIRES RETURN OF DEFECTIVE PART

J2592-61001 New Part for J2592-69001

J2593-69001 External JetDirect LAN interface module with Ethertwist (10Base-T) and ThinLAN (10BASE-2) input connectors and 3 parallel (DB-25) output connectors - (part of J2593A)

J2594-69001 External JetDirect token ring interface module with DB-9 and RJ-45 input connectors and 3 parallel (DB-25) output connectors - (part of J2594A)
REQUIRES RETURN OF DEFECTIVE PART

J2594-61011 New Part for J2594-69001

Optional Interfaces**Module**

J3258-61011	External JetDirect LAN interface module with EtherTwist (10Base-T) connector - (J3258A, J3258B)
J4102-69011	External JetDirect LAN interface module with EtherTwist (10Base-T) connector - (J4102A, J4102B) REQUIRES RETURN OF DEFECTIVE PART
<i>J4102-61011</i>	<i>New Part for J4102-69011</i>

Module (Product)

J4101B	External JetDirect LAN interface module with EtherTwist (10Base-T/Base-TX) connector
J4102B	External JetDirect LAN interface module with EtherTwist (10Base-T) connector

PC Board (Interface)

J2550-69013	EtherTwist 10Base-T LAN interface board
J2552-69013	LAN and LocalTalk interface - EtherTwist (10Base-T), ThinLAN (10Base-2), and LocalTalk (DIN-8) connectors
J2555-69013	Token ring LAN interface board - DB-9 and RJ-45 connectors
J4100-69001	JetDirect 400N modular input/output (MIO) internal print server - Provides 10/100Base-TX or 10Base-2 network connection using RJ45 or BNC connectors - (J4100A) REQUIRES RETURN OF DEFECTIVE PART
<i>J4100-61001</i>	<i>New Part for J4100-69001</i>
J4106-69001	Replacement JetDirect 400N modular input/output (MIO) internal print server REQUIRES RETURN OF DEFECTIVE PART
<i>J4106-61001</i>	<i>New Part for J4106-69001</i>

Power Cord

8120-1351	Power cord (Mint Gray) - 17 AWG, 2.3m (7.5ft) long - Has straight (F) receptacle (For 240V in the UK, Hong Kong, Singapore, Malaysia, and Brunei)
8120-1369	Power cord (Mint Gray) - 17 AWG, 2.0m (6.6ft) long - Has straight (F) receptacle (For 240V in Australia, New Zealand, and China)
8120-1378	Power cord (Jade Gray) - 18 AWG, 2.3m (7.5ft) long - Has straight (F) receptacle (For 120V in USA, Canada, Latin America, Korea, Taiwan, Thailand, Spain, Brazil, and Vietnam)
8120-1689	Power cord (Mint Gray) - 17 AWG, 2.0m (6.6ft) long - Has straight (F) receptacle (For 220V in Europe, Bangladesh, Indonesia, Pakistan, Burma, Sri Lanka, and Vietnam)
8120-2104	Power cord (Mint Gray) - 2.0m (6.6ft) long - Has straight (F) receptacle (For 220V in Switzerland)
8120-2956	Power cord (Mint Gray) - 2.0m (6.6ft) long - Has straight (F) receptacle (For 220V in Denmark)
8120-4753	Power cord (Flint Gray) - 18 AWG, 2.3m (7.5ft) long - Has straight (F) receptacle (For 100V in Japan)
8120-6302	'Daisy chain' power cord (Dove Gray) - 18 AWG, 1.2m (4.0ft) long - Has C14 (M) plug for power input and C13 (F) plug for power output

Power Module

0950-2372	Power supply module - 100-240VAC input, 47-63Hz, requires separate AC power cord - 5VDC output, 1A, 5 watts - For J2382/83A/B
0950-3169	Wall mount power supply module - 110-127V AC 57-63Hz input - 13V DC output at 300mA (USA, Canada) - For use with the J2592A external JetDirect LAN interface module
0950-3170	Power supply module - 209-253VAC input, 47-53Hz - 13VDC output, 300mA (Europe, Israel) - For use with the J2592A external JetDirect LAN interface module
0950-3171	Power supply module - 220-240VAC input, 47-53Hz - 13VDC output, 300mA (U.K., Hong Kong) - For use with the J2592A external JetDirect LAN interface module
0950-3172	Power supply module - 240VAC input, 47-53Hz - 13VDC output, 300mA (Australia) - For use with the J2592A external JetDirect LAN interface module
0950-3348	Wall mount power supply module (MEI-AH ED12006) - 110-127VAC input, 57-63Hz - 13VDC output, 800mA, 10.4 watts (for use in the United States and Canada) - For models J2590/91/93/94A, J2964A, J3258A/B, J3263/64/65A, J3282B, J4101A/B, J4102A/B
0950-3349	Wall mount power supply module (MEI-AH ED12007) - 230VAC input, 47-53Hz - 13VDC output, 800mA, 10.4 watts (for use in Europe and Israel) - For JetDirect/infrared interface models J2590/91/93/94A, J2964A, J3258A/B, J3263/64/65A, J3282B, J4101A/B, J4102A/B

Optional Interfaces**Power Module**

0950-3350	Wall mount power supply module (MEI-AH ED12008) - 220-240VAC input, 47-53Hz - 13VDC output, 800mA, 10.4 watts (for use in the United Kingdom) - For JetDirect/infrared interfaces J2590/91/93/94A, J2964A, J3258A/B, J3263/64/65A, J3282B, J4101A/B, J4102A/B
0950-3351	Wall mount power supply module (MEI-AH ED12009) - 220VAC input, 47-63Hz - 13VDC output, 800mA, 10.4 watts (for use in South Korea) - For JetDirect/infrared interface models J2590/91/93/94A, J2964A, J3258A/B, J3263/64/65A, J3282B, J4101A/B, J4102A/B
0950-3352	Wall mount power supply module (MEI-AH ED12010) - 100VAC input, 47-63Hz - 13VDC output, 800mA, 10.4 watts (for use in Japan) - For JetDirect/infrared interface models J2590/91/93/94A, J2964A, J3258A/B, J3263/64/65A, J3282B, J4101A/B, J4102A/B
0950-3354	Wall mount power supply module (MEI-AH ED12010) - 220-250VAC input, 47-53Hz - 13VDC output, 800mA, 10.4 watts (for use in South Africa) - For JetDirect/infrared interface models J2590/91/93/94A, J2964A, J3258A/B, J3263/64/65A, J3282B, J4101A/B, J4102A/B
9100-5176	Wall mount power supply module (Leader Electronics 48130625HK) - 200VAC input, 48-52Hz - 13VDC output, 625mA (Hong Kong) - For JetDirect Modules and Infrared Interface Models J2590/91/93/94A, J2964A, J3258A/B, J3263/64/65A, J3282B, J4101A/B, J4102A/B
0950-3350	<i>New Part for 9100-5176</i>

Optional Paper Trays**Stop**

190	RB1-2370-020CN	Stop plate - For paper length in 250 page universal cassette
191	RF5-0430-000CN	Stop plate - For paper width in 250 page universal cassette
192	RF5-1675-000CN	Stop plate for paper length in 500 page lower cassette

Tray

193	C3923A	HP LaserJet 5, 5M, and 5N Multipurpose paper tray (Tray 3) - Holds 500 sheets of letter, legal, Executive, or A4 size paper
194	C3924A	HP LaserJet 5, 5M, and 5N Multipurpose paper tray (Tray 2) - Holds 250 sheets of letter, legal, Executive, or A4 size paper
195	C3925A	HP LaserJet 5, 5M, and 5N Letter paper tray (Tray 2) - Holds 250 sheets of 8.5in x 11in letter size paper
196	C3926A	HP LaserJet 5, 5M, and 5N A4 paper tray (Tray 2) - Holds 250 sheets of 8.3in x 11.7in A4 size paper

Other Accessories**Cartridge**

92298A	Black toner (EP) cartridge - With 'Micro-Fine' toner - Prints approximately 6,800 pages
92298X	Maximum black toner (EP) cartridge - With 'Micro-Fine' toner - Prints approximately 8, 800 pages

Manual

C3916-90984	LaserJet 4, 4M, 4+, 4M+, 5, 5M, and 5N printer combined service manual (English) - Also includes installation and service and parts information on the C3157A and C3920A duplexers
J2552-90001	JetDirect network J2552A software configuration guide
J2552-90011	HP jet direct network J2552A installation guide
5021-8943	LaserJet quick reference guide - Volume 1 of 2 volume set
5090-3390	LaserJet quick reference guide - Volume 2 of 2 volume set

Manual Kit

5021-0377	HP-GL/2, PCL5 and PJI technical reference manual kit
C3916-99024	LaserJet 5, 5M and 5N printer manual bundle - Includes the user's manual and 'Getting Started' guide
C3916-99025	LaserJet 5, 5M and 5N printer manual bundle - Includes the user's manual and 'Getting Started' guide (French)
C3916-99026	LaserJet 5, 5M and 5N printer manual bundle - Includes the user's manual and 'Getting Started' guide (Italian)
C3916-99027	LaserJet 5, 5M and 5N printer manual bundle - Includes the user's manual and 'Getting Started' guide (German)
C3916-99028	LaserJet 5, 5M and 5N printer manual bundle - Includes the user's manual and 'Getting Started' guide (Spanish)
C3916-99029	LaserJet 5, 5M and 5N printer manual bundle - Includes the user's manual and 'Getting Started' guide (Norwegian)

Other Accessories**Manual Kit**

C3916-99030	LaserJet 5, 5M and 5N printer manual bundle - Includes the user's manual and 'Getting Started' guide (Danish)
C3916-99031	LaserJet 5, 5M and 5N printer manual bundle - Includes the user's manual and 'Getting Started' guide (Portuguese)
C3916-99032	LaserJet 5, 5M and 5N printer manual bundle - Includes the user's manual and 'Getting Started' guide (Dutch)
C3916-99033	LaserJet 5, 5M and 5N printer manual bundle - Includes the user's manual and 'Getting Started' guide (Finnish)
C3916-99034	LaserJet 5, 5M and 5N printer manual bundle - Includes the user's manual and 'Getting Started' guide (Polish)
C3916-99035	LaserJet 5, 5M and 5N printer manual bundle - Includes the user's manual and 'Getting Started' guide (Swedish)
C3916-99036	LaserJet 5, 5M and 5N printer manual bundle - Includes the user's manual and 'Getting Started' guide (Traditional Chinese) NO LONGER SUPPLIED
C3916-99039	LaserJet 5, 5M and 5N printer manual bundle - Includes the user's manual and 'Getting Started' guide (Turkey)
C3916-99040	LaserJet 5, 5M and 5N printer manual bundle - Includes the user's manual and 'Getting Started' guide (Czechoslovakian)
C3916-99042	LaserJet 5, 5M and 5N printer manual bundle - Includes the user's manual and 'Getting Started' guide (Hungarian)
C3916-99044	LaserJet 5, 5M and 5N printer manual bundle - Includes the user's manual and 'Getting Started' guide (Russian)
C3916-99046	LaserJet 5, 5M and 5N printer manual bundle - Includes the user's manual and 'Getting Started' guide (European English)

Software

C6072-60301	HP-GL/2 driver software for AutoCAD - For DOS and Windows 3.1/95/NT 4.0 - On 3.5-inch 1.44MB floppy disks (English)
C6072-60304	HP-GL/2 driver software for AutoCAD - For DOS and Windows 3.1/95/NT 4.0 - On 3.5-inch 1.44MB floppy disks (German)
C6072-60305	HP-GL/2 driver software for AutoCAD - For DOS and Windows 3.1/95/NT 4.0 - On 3.5-inch 1.44MB floppy disks (French)
C6072-60306	HP-GL/2 driver software for AutoCAD - For DOS and Windows 3.1/95/NT 4.0 - On 3.5-inch 1.44MB floppy disks (Spanish)
C6072-60307	HP-GL/2 driver software for AutoCAD - For DOS and Windows 3.1/95/NT 4.0 - On 3.5-inch 1.44MB floppy disks (Italian)

Tool

228	RB1-7895-000CN	Hook tool - For removing the transfer roller
-----	----------------	--

Training Kit

C3916-67909	Self paced training kit for LaserJet 4, 4M, 4+, 4M+, 5, 5M, and 5N - Includes service manual, NTSC format video (VHS)
C3916-67910	Self paced training kit for LaserJet 4, 4M, 4+, 4M+, 5, 5M, and 5N - Includes service manual, PAL format video (VHS)

Training Test

C3916-90995	Additional self paced training test - Contains 5 tests for the LaserJet 5 series - Also covers the LJ 4, 4+, 4M, and 4M+
-------------	--

Other Internal Parts**Cable**

232	RG5-0529-000CN	Cable assembly - From paper control board to envelope feeder
233	RG5-0975-000CN	Cable assembly - 8 pin (F) connector to both a 16.5cm (6.5 inch) cable with a 4 pin (F) connector and a 22.5cm (8.9 inch) cable with a ferrite and a 6 pin (F) connector
234	RG5-0976-000CN	Cable assembly - 7 pin (F) connector on each end - 31.1cm (12.3 inches) long
235	RG5-0978-000CN	Cable assembly - From DC controller to main motor
236	RG5-0979-000CN	Cable assembly - From DC controller to connector board assembly - For high voltage connector block

Cover

237	RB1-2226-000CN	High voltage cover - Plastic 'Pan' for high voltage board
238	RB1-7888-000CN	Inner cover plate
239	RF5-1654-000CN	SIMM access cover plate

Other Internal Parts**Fan**

240 RH7-1178-000CN Exhaust fan

Guide

RB1-7913-000CN Cassette guide - Paper cassette support guide

242 RF5-1657-000CN Right cassette guide (L-shaped)

Laser/Scanner

243 C2037-69008 Laser/scanner assembly
REQUIRES RETURN OF DEFECTIVE PART

RG5-0903-070CN *New Part for C2037-69008*

Lever

244 RB1-2138-000CN Top cover interlock lever

PC Board

245 RG5-0515-000CN Interconnect board - Includes cable to A/C power module - Connects DC controller and high voltage power supply to fusing assembly

Shield

246 RF5-1647-000CN Formatter board EMI shield

Shutter

247 RB1-2080-000CN Laser shutter - Attaches to bottom of laser/scanner assembly

Support

248 RB1-2105-030CN Toner cartridge support - Black plastic bar that attaches above the toner cartridge

Paper Path Parts**Arm**

249 RB1-2133-000CN 'Paper out' sensor arm

Base

250 RG5-0467-060CN Tray 1 base assembly - Attachment point for MP input tray

Belt

251 XF9-0410-000CN Timing belt

Brush

252 RB1-2237-020CN Brush - Static eliminating

Cable

253 RG5-0980-000CN Cable assembly - From DC controller to delivery sensor (PS3)

Cover

254 RB1-3481-020CN Cover for gear cluster (Main Drive train) assembly

Gear Assembly

255 RG5-0876-050CN Gear cluster (Drive train) assembly

Guide

256 RB1-2131-000CN Paper guide - Guides paper out of tray 1
NO LONGER SUPPLIED

257 RB1-2236-000CN Feeder guide - Ribbed (Gray) metal plate at top of printer

258 RF5-0647-000CN Upper delivery guide - On top of paper output assembly

259 RG5-0469-020CN Transfer guide assembly - Plate between toner cartridge & fuser

260 RG5-2192-000CN Transfer guide assembly - Ribbed paper guide for the high voltage transfer roller (Does NOT include transfer roller)

Holder

261 RB1-2181-000CN Guide roller holder (U-shaped)

262 RB1-2259-040CN Rear paper holder

Paper Path Parts**Holder**

263 RF5-0369-040CN Front paper holder

Kit

C3916-69001 Maintenance kit (120V) - Includes fusing assembly, separation pad, transfer roller, tray 1,2,& 3 pick-up rollers and instruction manual
REQUIRES RETURN OF DEFECTIVE PART

C3916-67912 New Part for C3916-69001

C3916-69002 Maintenance kit (220V) - Includes fusing assembly, separation pad, transfer roller, tray 1,2,& 3 pick-up rollers, and instruction manual
REQUIRES RETURN OF DEFECTIVE PART

C3916-67913 New Part for C3916-69002

H3968-60001 Paper exit jam repair kit - Includes upper and lower delivery rollers, output rollers and roller pressure springs - Installation procedure requires service manual

Motor

267 RH7-1197-000CN Paper pickup motor

268 RH7-1301-000CN Main motor assembly

PC Board

272 RG5-0514-000CN Sensor board - Narrow board w/ sensors

Pad

269 RF5-0343-000CN Separation pad (Rectangular) - For multipurpose tray input

Paper Output Unit

270 RG5-2189-000CN Paper output assembly - Belt driven

Paper Pick-Up

271 C3916-69005 Paper pickup (Feeder) assembly (Motor driven)
REQUIRES RETURN OF DEFECTIVE PART

RG5-2195-000CN New Part for C3916-69005

Roller

273 RB1-2182-000CN Guide roller - In center of paper feed assembly

274 RB1-2205-000CN Pickup roller (Oval shaped) - For multipurpose tray

275 RB1-2253-000CN Guide roller - Fits on paper guide

276 RB1-2299-030CN Delivery roller - Double roller in paper output assembly

277 RB1-7911-000CN Pickup roller (Quarter circle shaped) - For upper cassette

278 RF5-0349-000CN Transfer roller - Goes in paper guide/hv contact plate assembly

279 RF5-1077-030CN Lower delivery roller - Shaft with 4 double rollers on it

280 RF9-1326-000CN Upper delivery roller - Shaft with 7 rollers on it

Roller/Holder

281 RF5-0425-040CN Output roller & holder

282 RF5-0747-000CN Roller

Sensor

283 RG5-0466-000CN Leading edge registration sensor and PC paper out sensor

284 RG5-0475-060CN Paper exit (Delivery) sensor assembly

285 WG8-0291-000CN Photo sensor

Solenoid

286 RH7-5071-000CN Pickup solenoid (SL1) - For the paper cassette paper pickup (feed) roller

287 RH7-5075-000CN Pickup solenoid (SL2) - For multipurpose tray pickup roller

Paper Path Parts**Spring**

- 288 RB1-2302-000CN Delivery roller spring (U-shaped)
- 289 RS5-2267-000CN Spring - For delivery roller holder in paper output

Power Supplies and Parts**Base**

- 290 RB1-7906-000CN Base structure - For the power switch actuator assembly - Does NOT include the power switch

Button

- 291 RB1-7907-000CN Power switch button (rocker)

Cable

- 292 RG5-0526-000CN Cable assembly - From DC controller to AC power supply

Power Cord

- 8120-1351 Power cord (Mint Gray) - 17 AWG, 2.3m (7.5ft) long - Has straight (F) receptacle (For 240V in the UK, Hong Kong, Singapore, Malaysia, and Brunei)
- 8120-1369 Power cord (Mint Gray) - 17 AWG, 2.0m (6.6ft) long - Has straight (F) receptacle (For 240V in Australia, New Zealand, and China)
- 8120-1378 Power cord (Jade Gray) - 18 AWG, 2.3m (7.5ft) long - Has straight (F) receptacle (For 120V in USA, Canada, Latin America, Korea, Taiwan, Thailand, Spain, Brazil, and Vietnam)
- 8120-1689 Power cord (Mint Gray) - 17 AWG, 2.0m (6.6ft) long - Has straight (F) receptacle (For 220V in Europe, Bangladesh, Indonesia, Pakistan, Burma, Sri Lanka, and Vietnam)
- 8120-2104 Power cord (Mint Gray) - 2.0m (6.6ft) long - Has straight (F) receptacle (For 220V in Switzerland)
- 8120-2956 Power cord (Mint Gray) - 2.0m (6.6ft) long - Has straight (F) receptacle (For 220V in Denmark)
- 8120-4211 Power cord (Mint Gray) - 17 AWG, 2.0m (6.6ft) long - Has straight (F) receptacle (For 240V in South Africa and India)

Power Supply

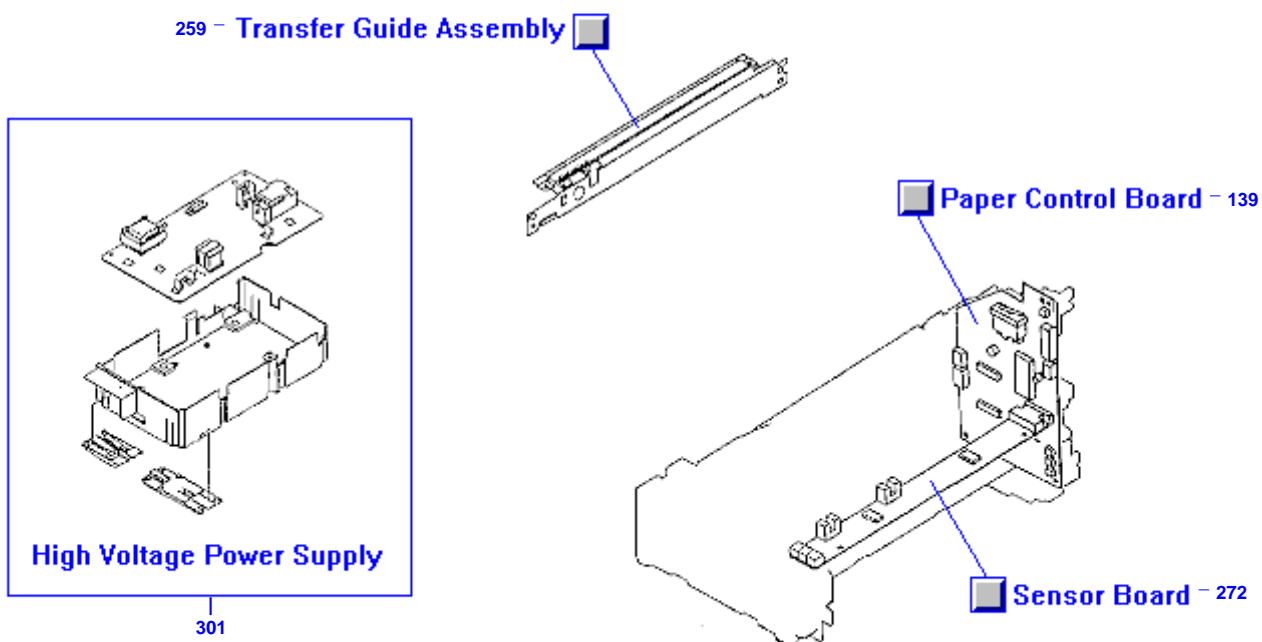
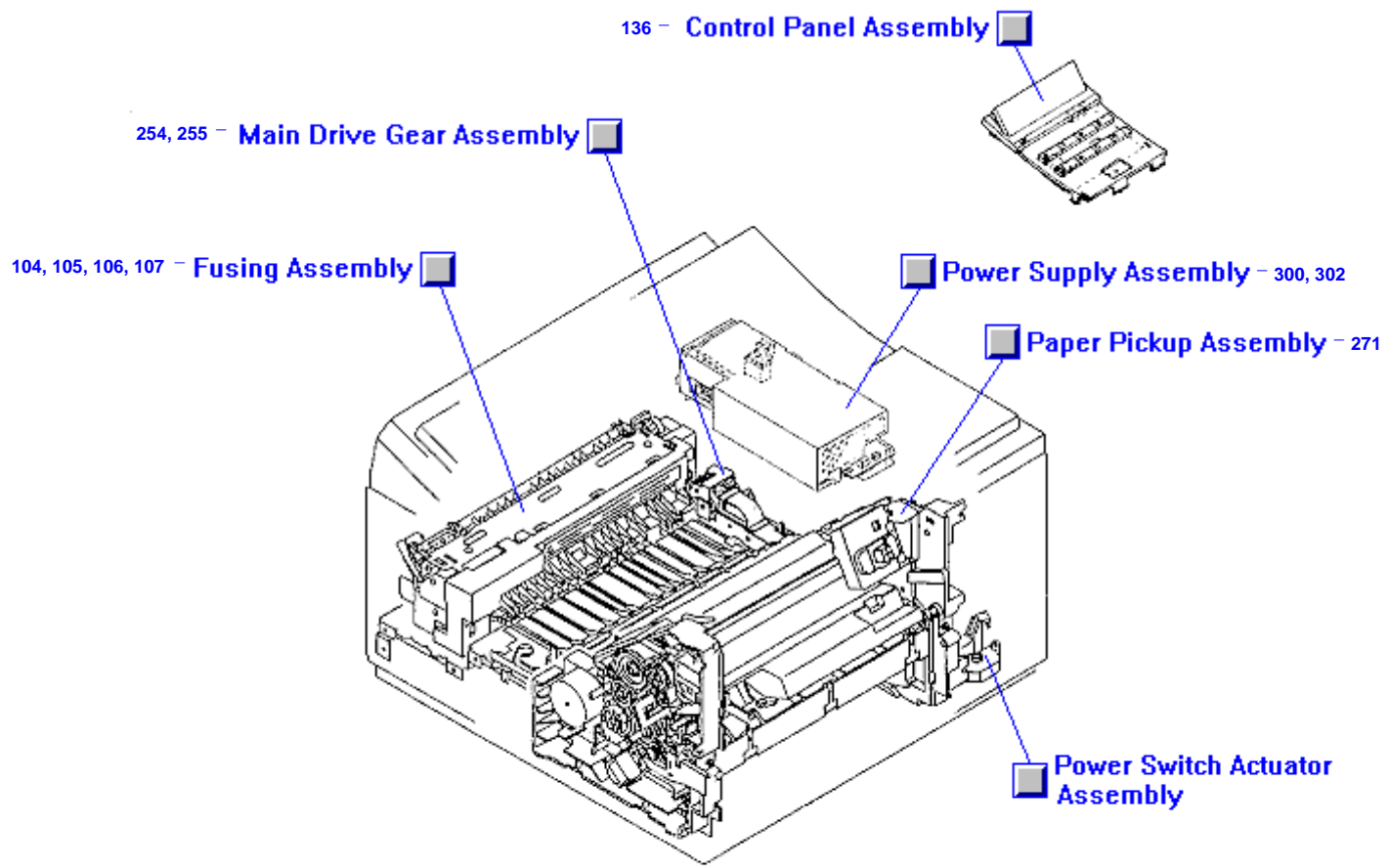
- 300 C2037-69007 Power supply assembly - 220/240VAC
REQUIRES RETURN OF DEFECTIVE PART
- RG5-2500-000CN *New Part for C2037-69007*
- 301 RG5-0969-040CN High voltage power supply assembly
- 302 RG5-2499-000CN Power supply assembly - 100-120VAC input

Rod

- 303 RB1-7896-000CN Power switch rod - From main switch assembly to power supply

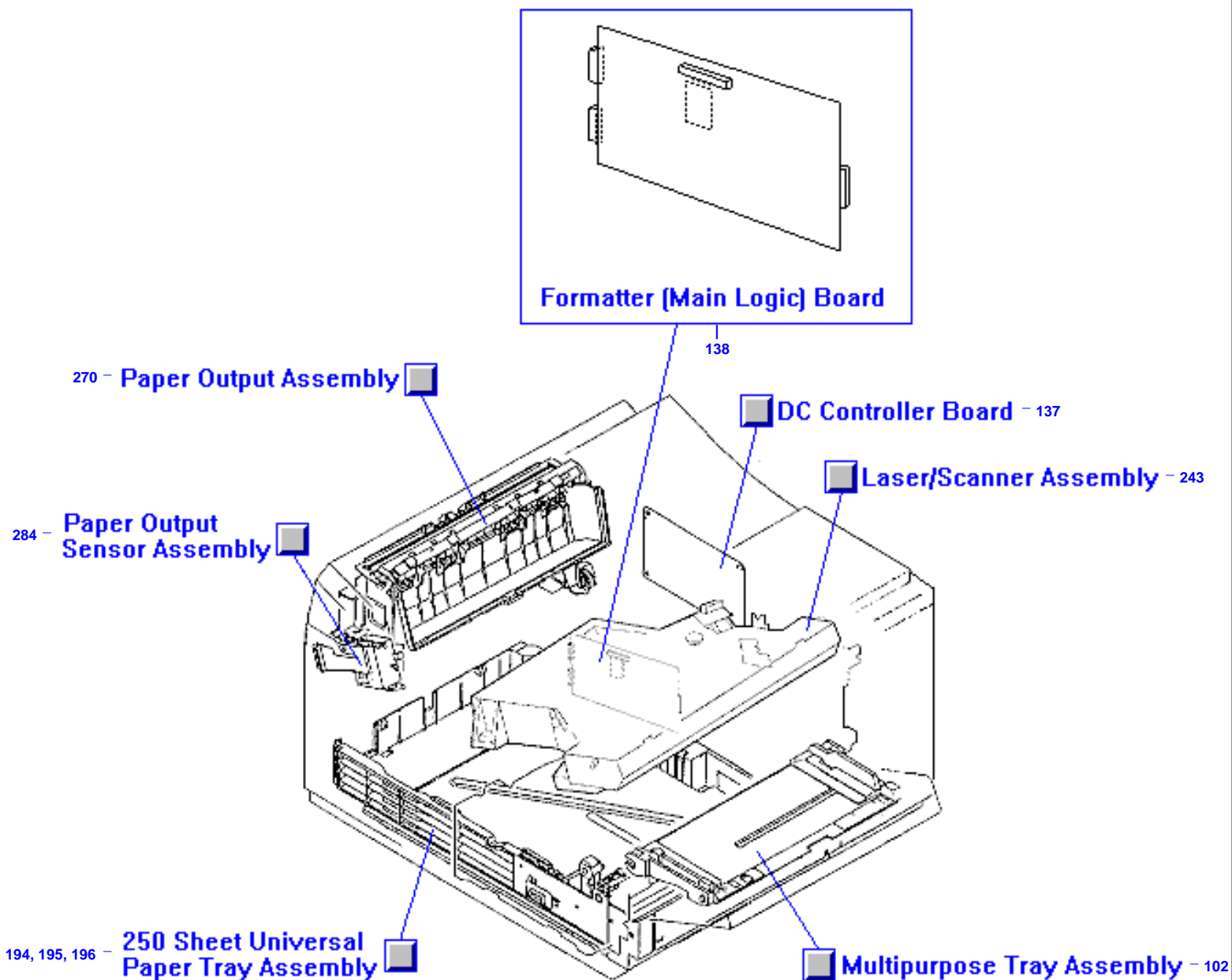
Main Assembly Locator (1 of 2)

2 of 2 →



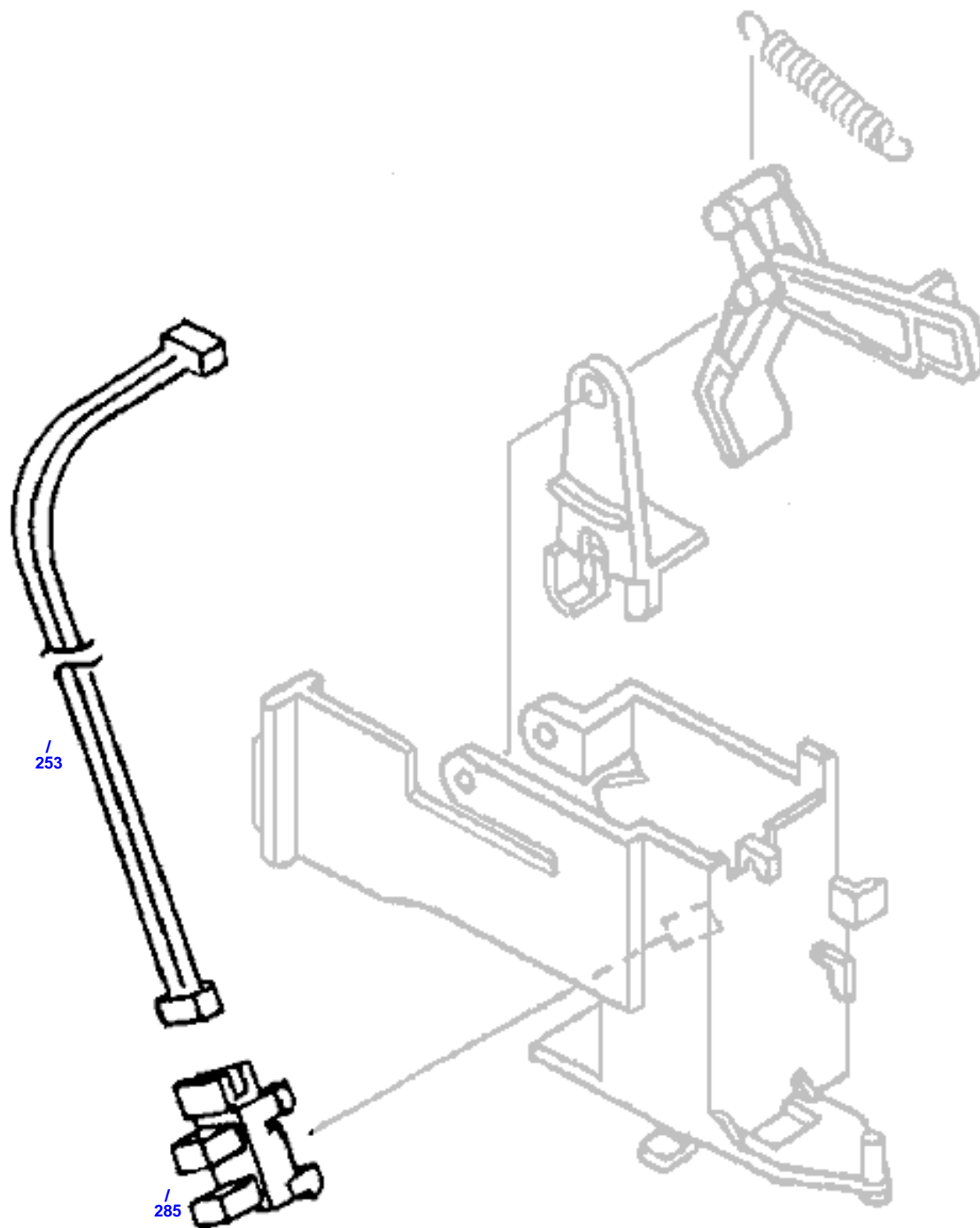
Main Assembly Locator (2 of 2)

← 1 of 2

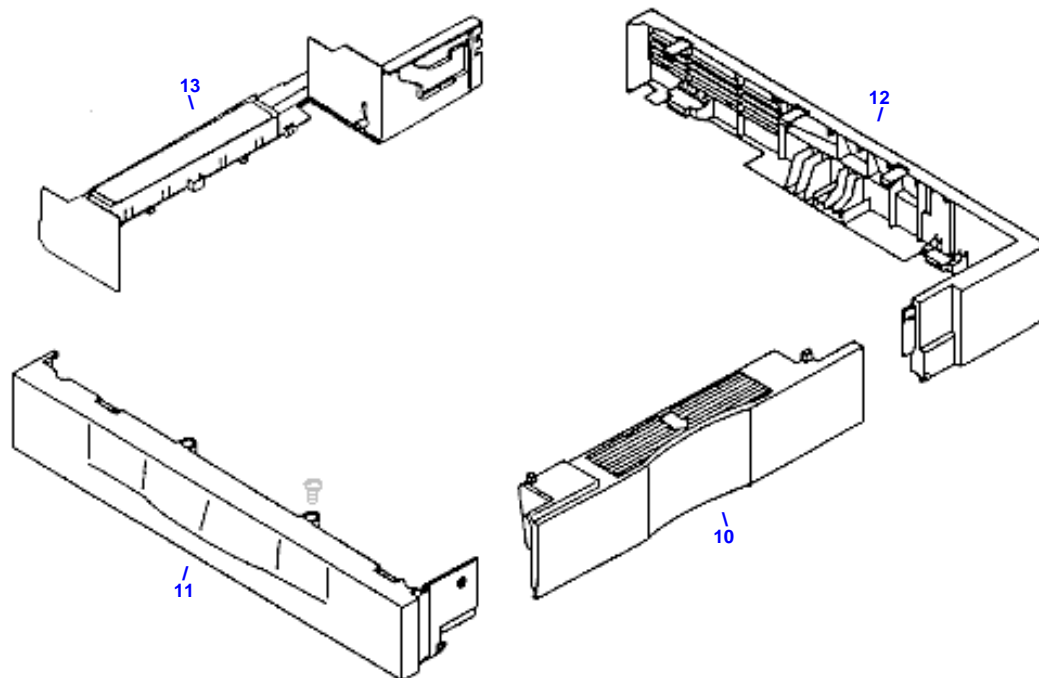
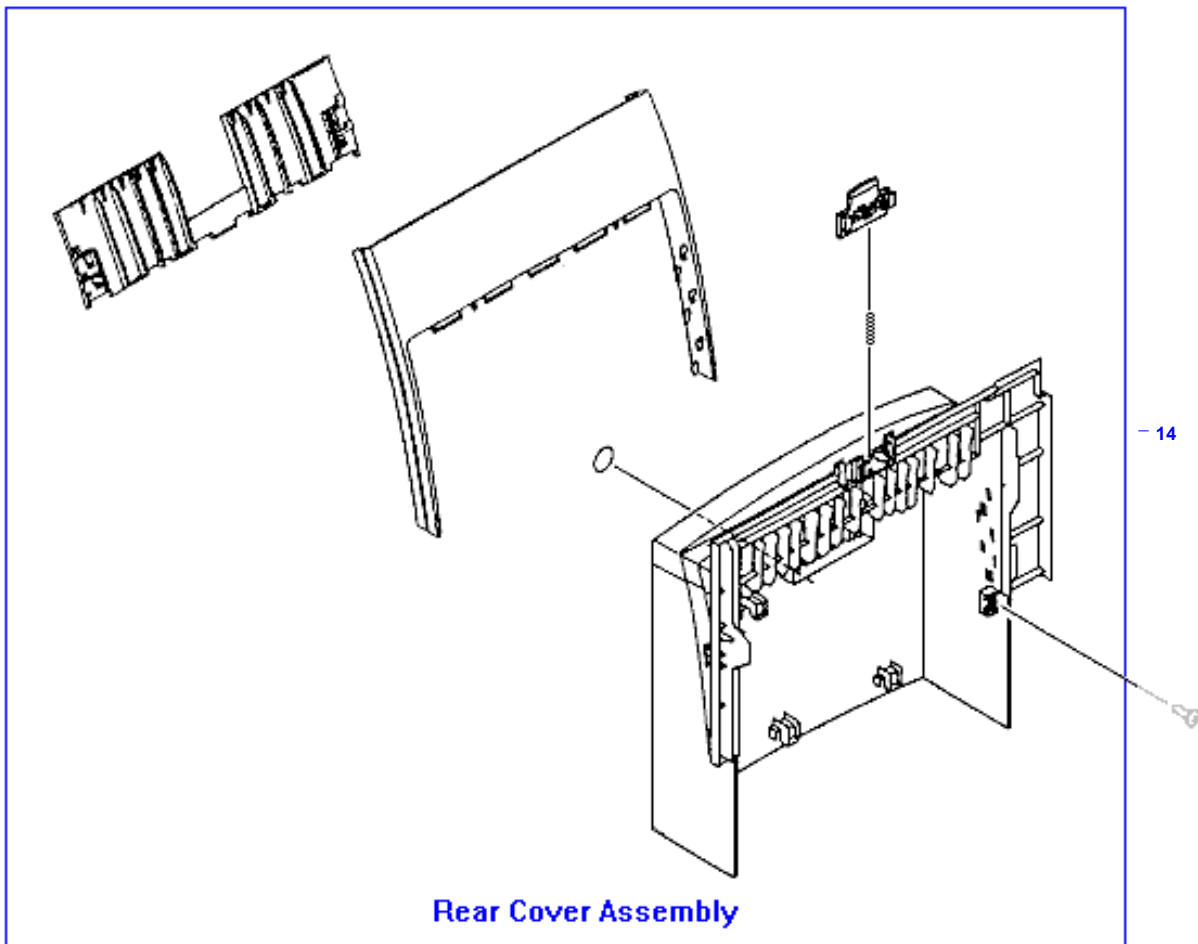


Delivery Sensor Assembly

284 -  Delivery Sensor Assembly

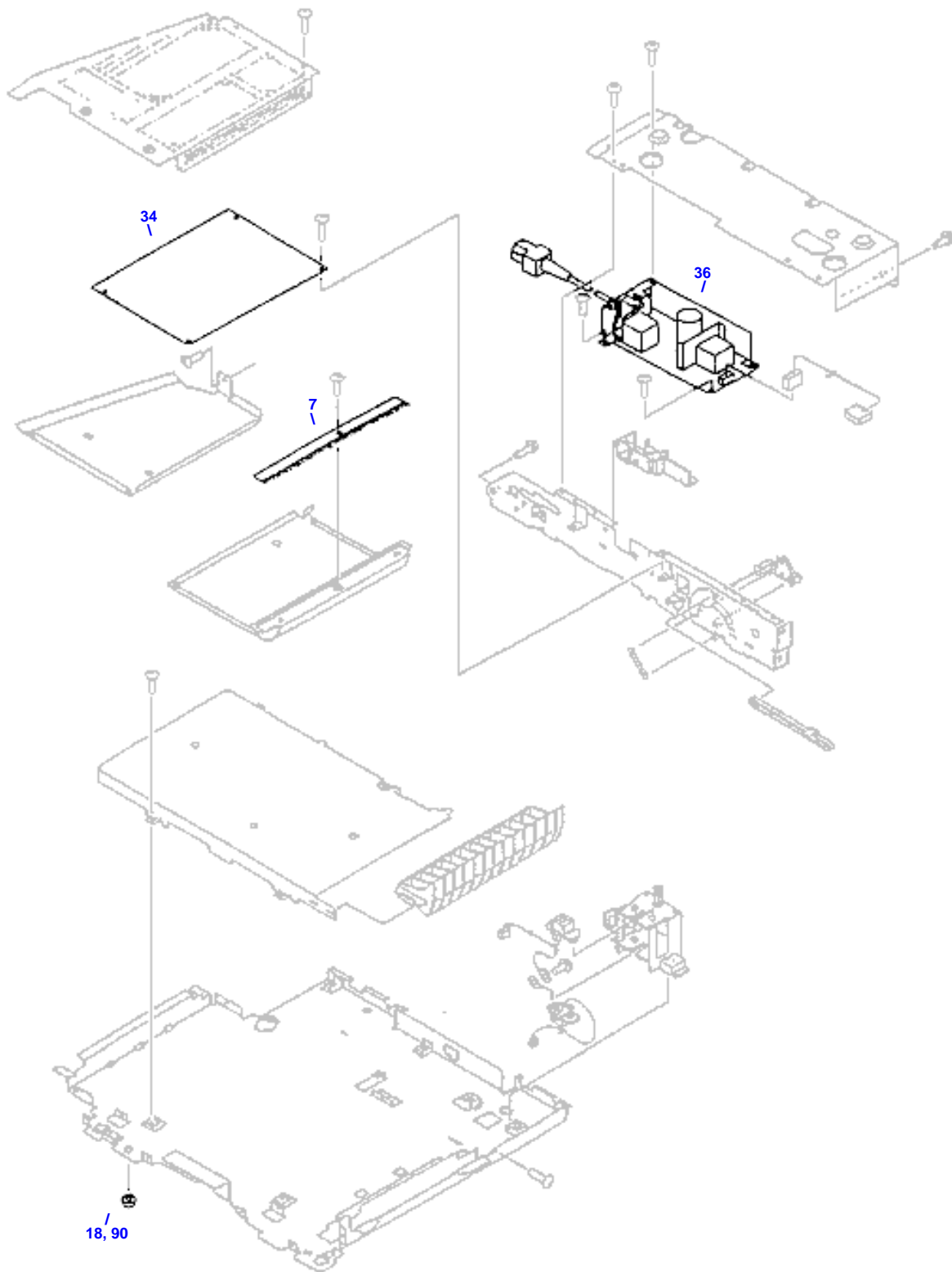


Duplexer Assembly External Covers



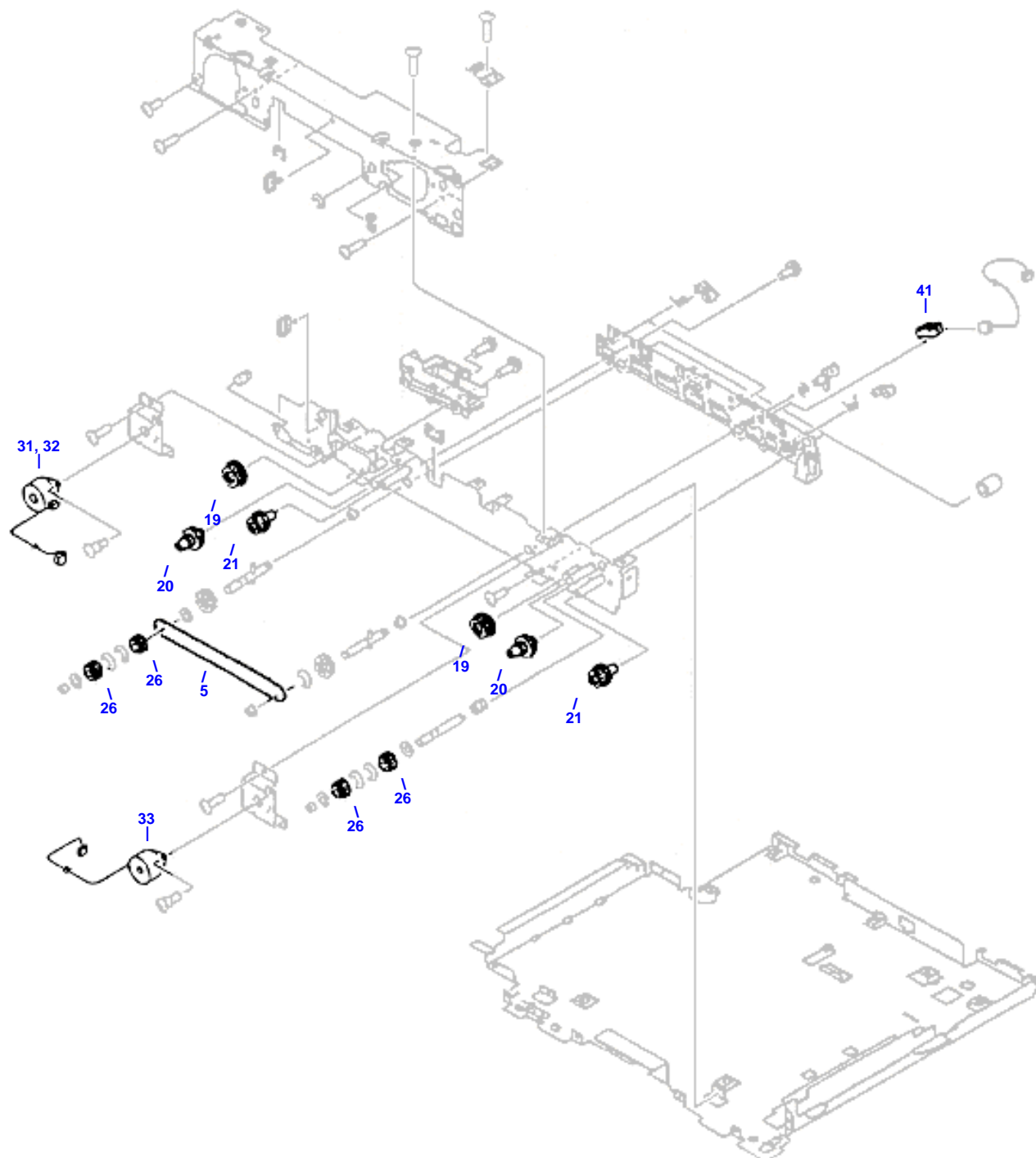
Duplexer Holding Tray Assembly (1 of 2)

2 of 2 →



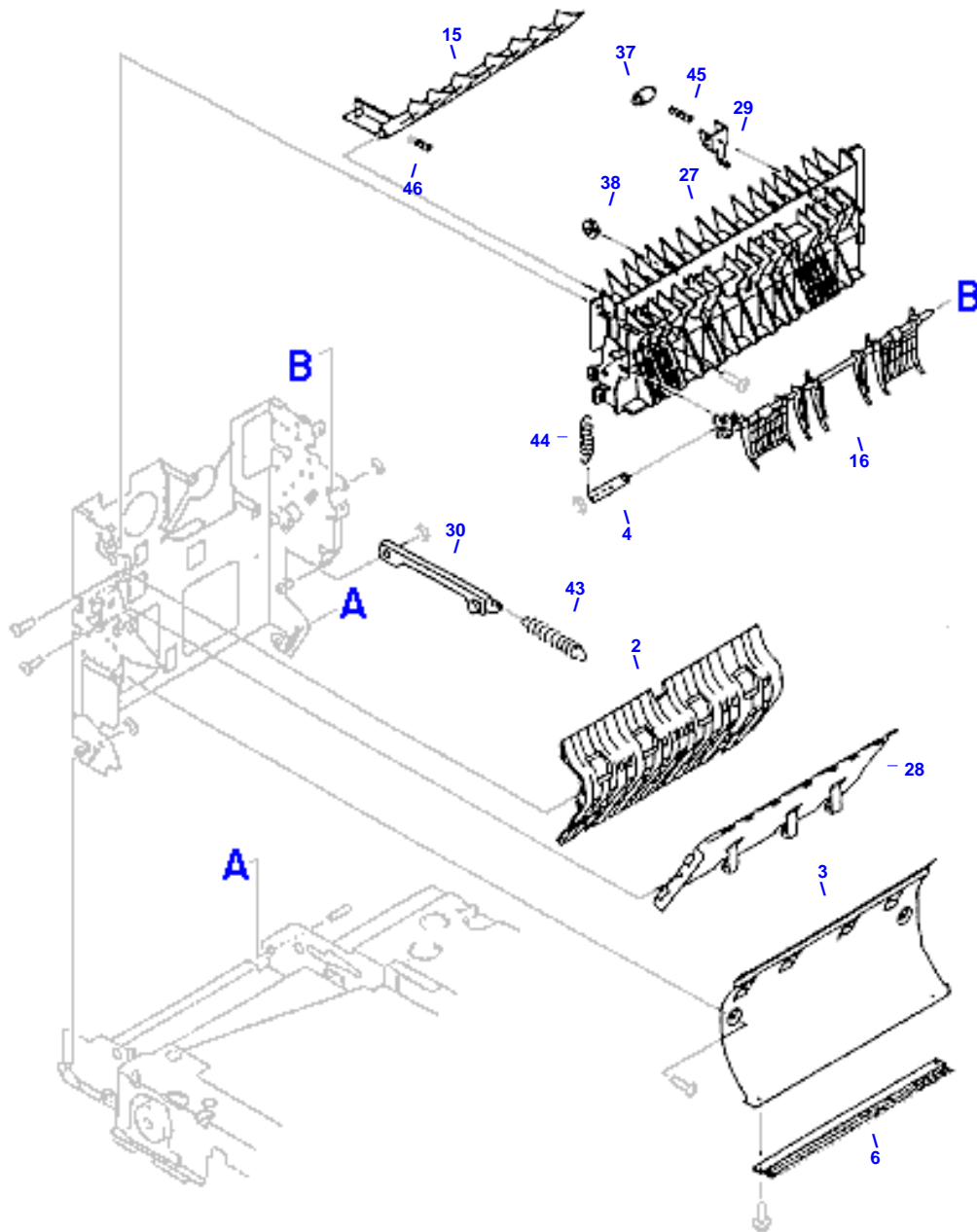
Duplexer Holding Tray Assembly (2 of 2)

← 1 of 2



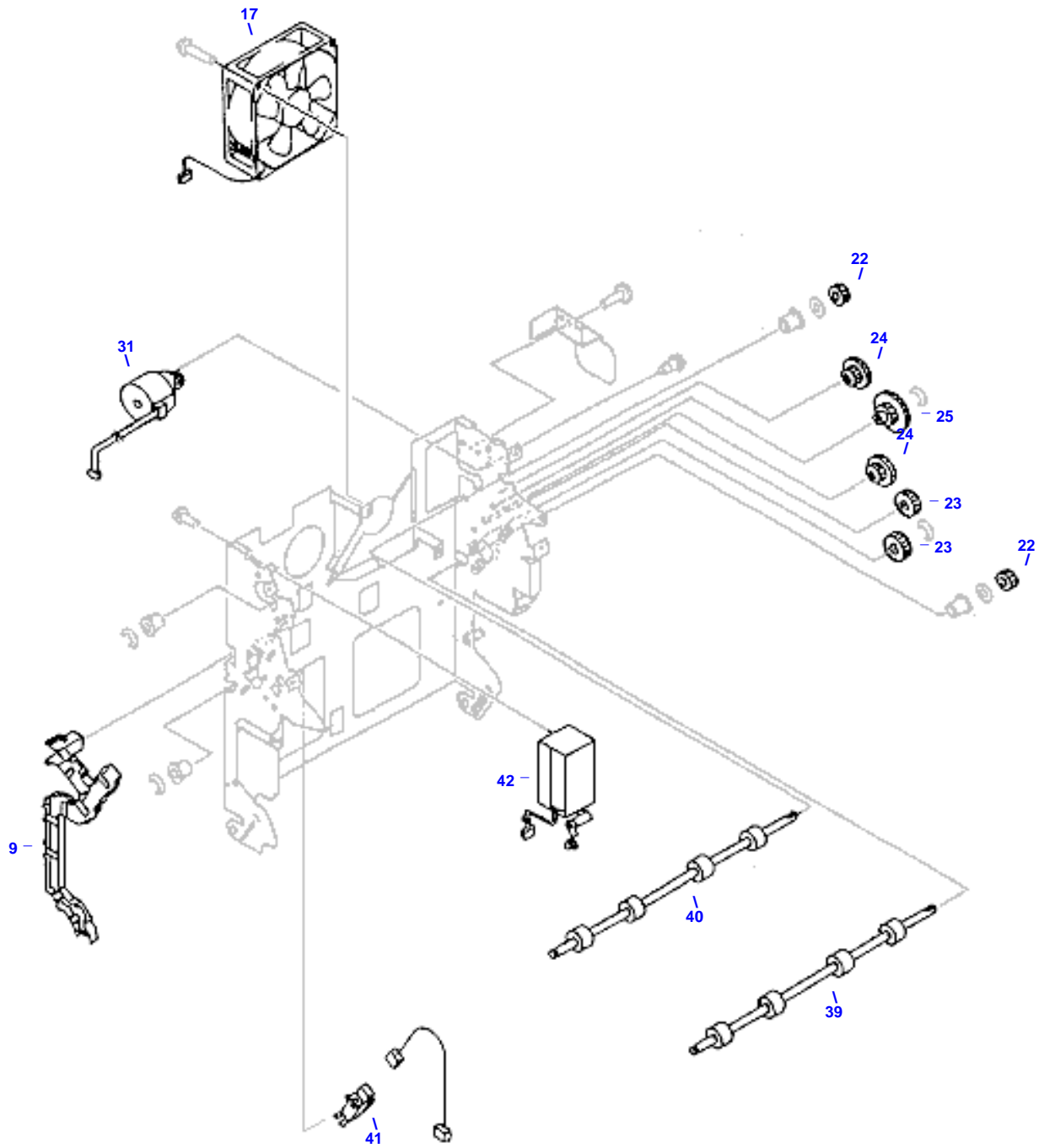
Duplexer Switchback Assembly (1 of 2)

2 of 2 →

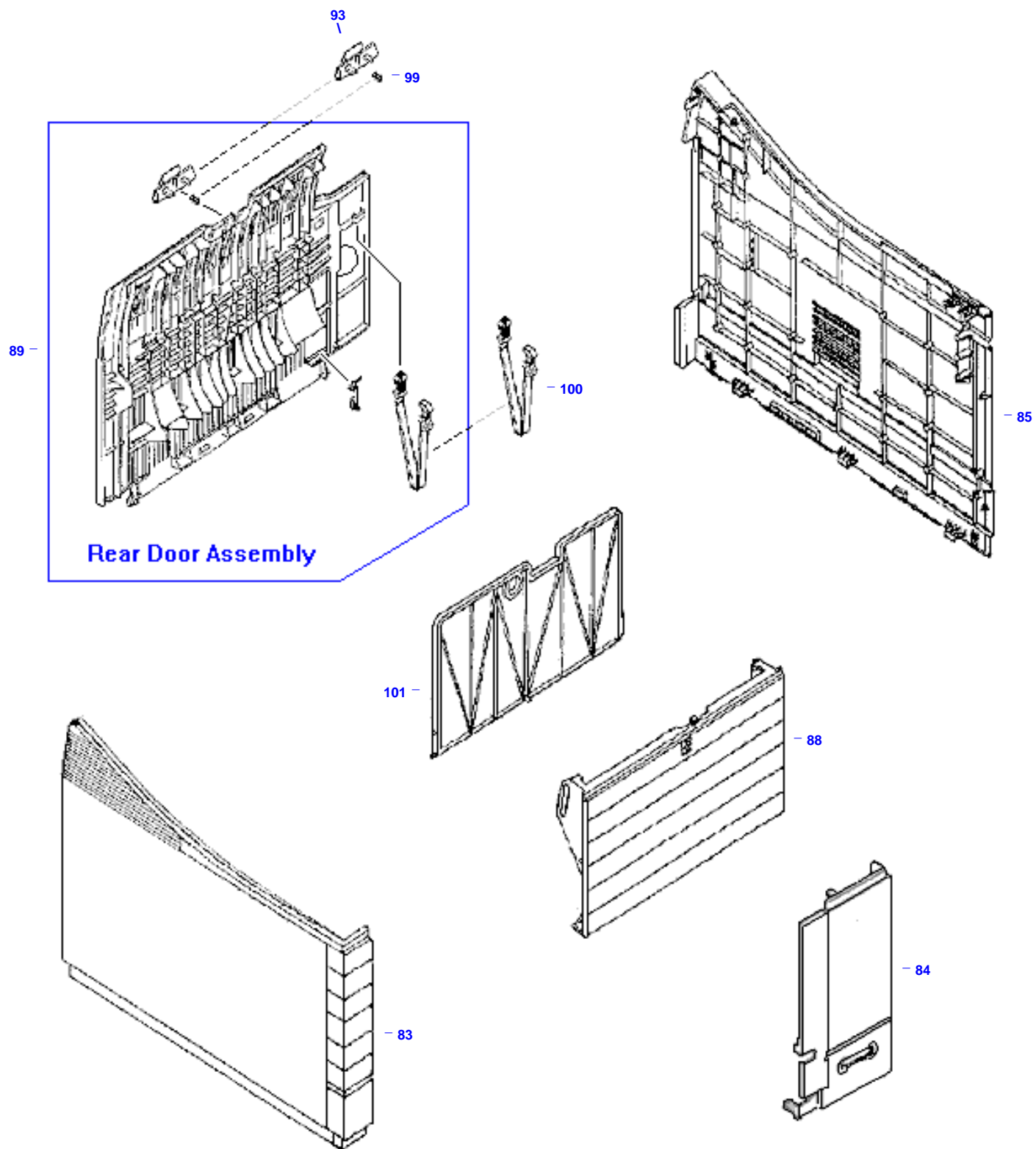


Duplexer Switchback Assembly (2 of 2)

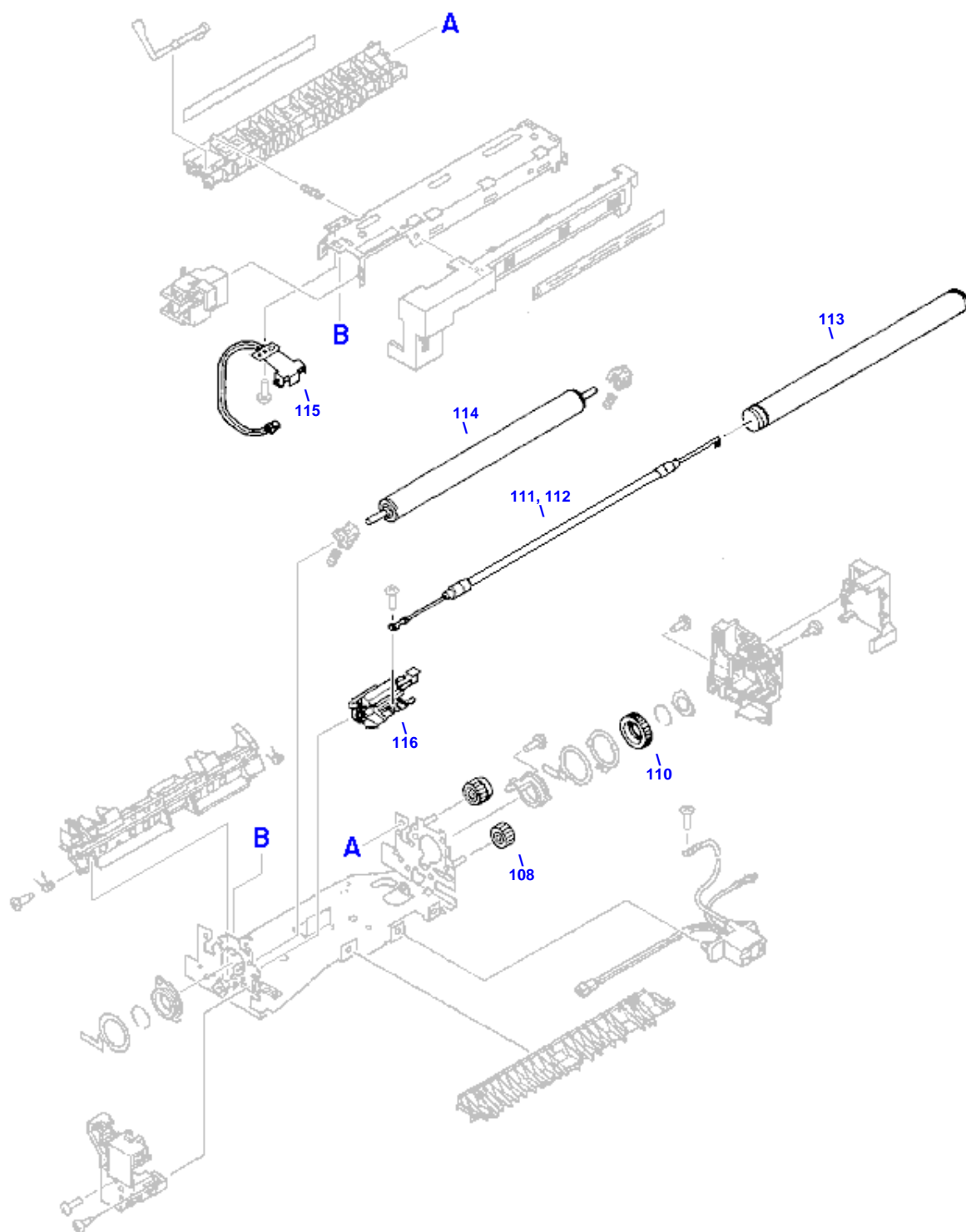
← 1 of 2



External Covers and Panels

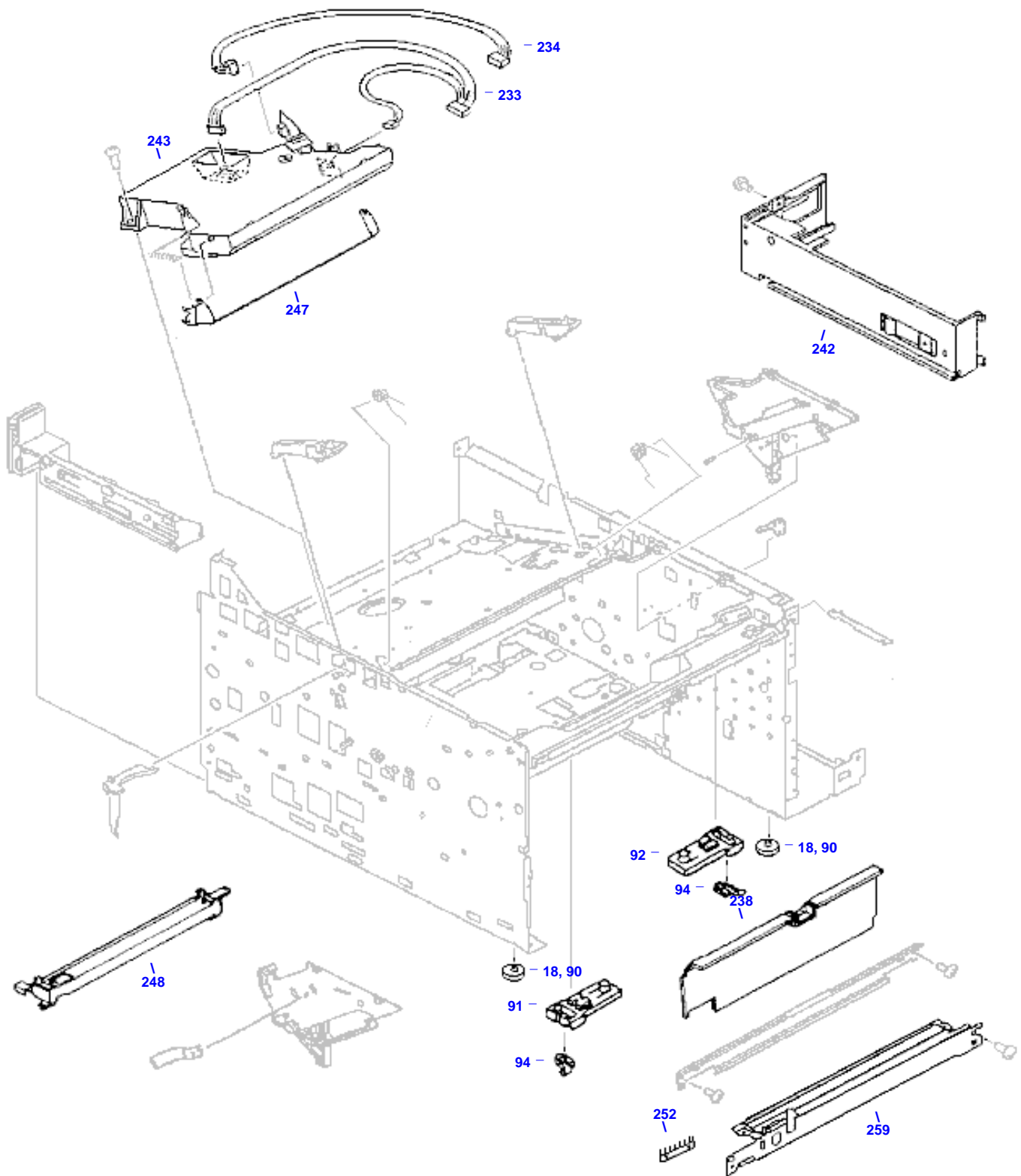


Fusing Assembly

104, 105, 106, 107 -  Fusing Assembly

Internal Components (1 of 4)

2 of 4 →

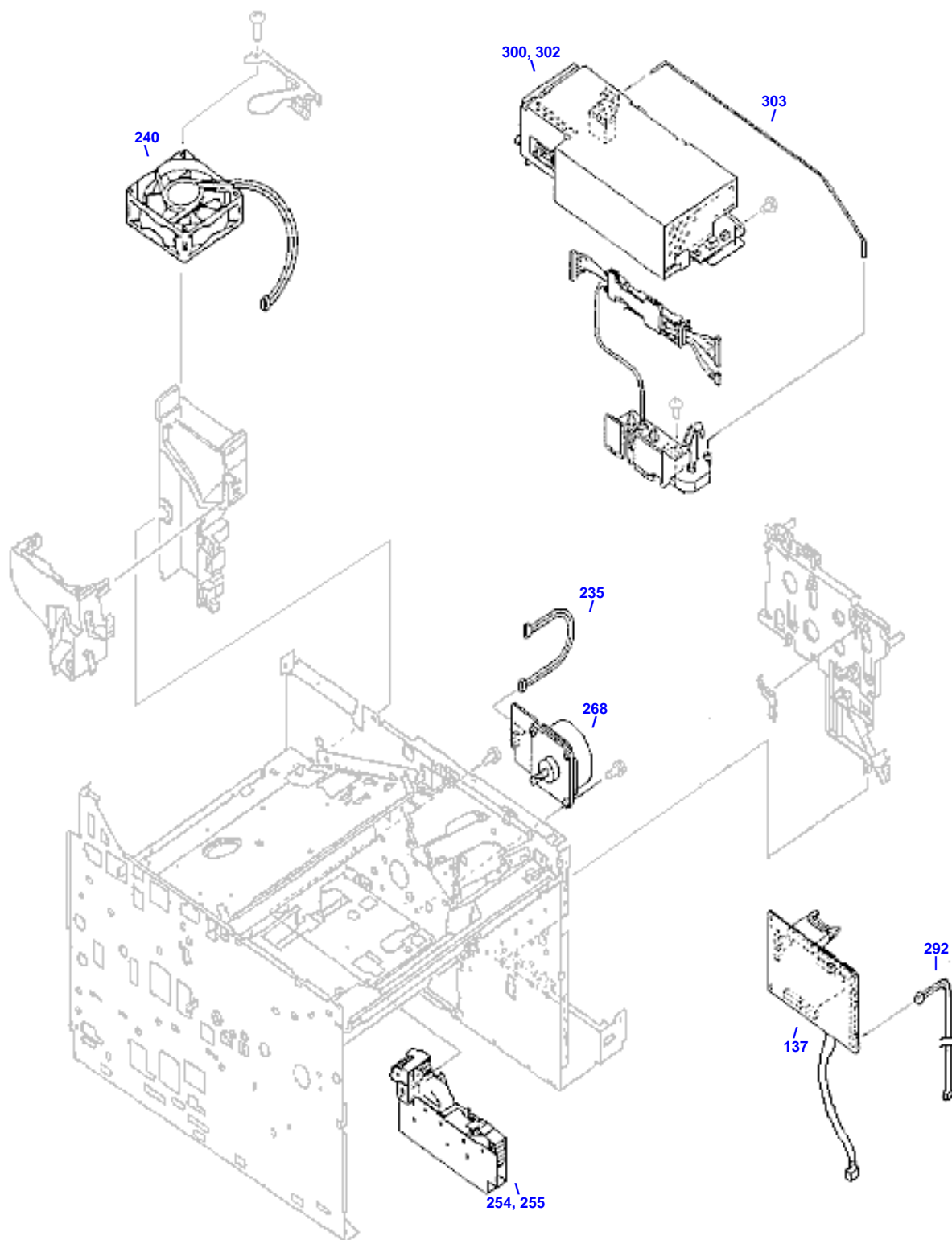




Internal Components (2 of 4)

← 1 of 4

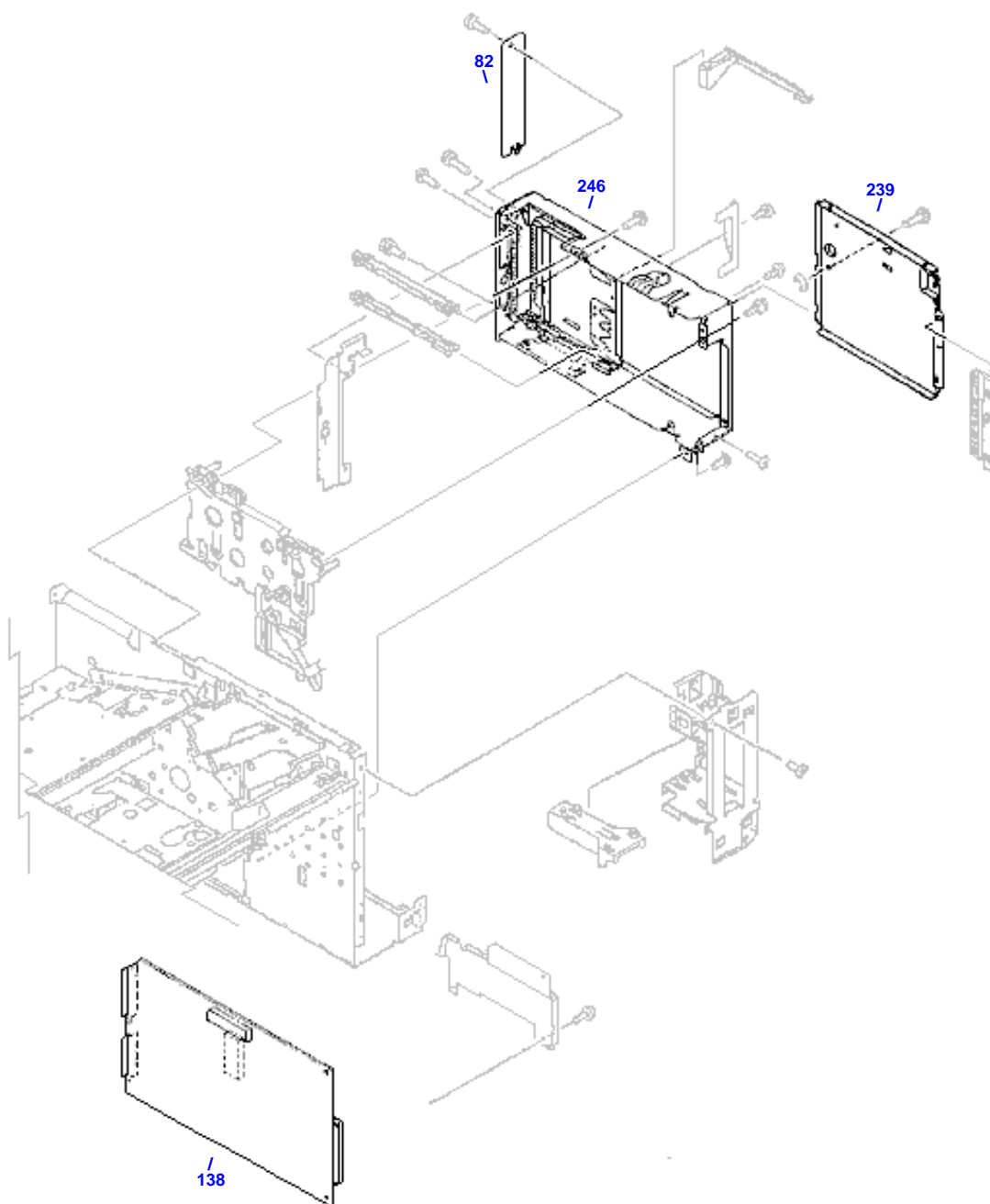
3 of 4 →



Internal Components (3 of 4)

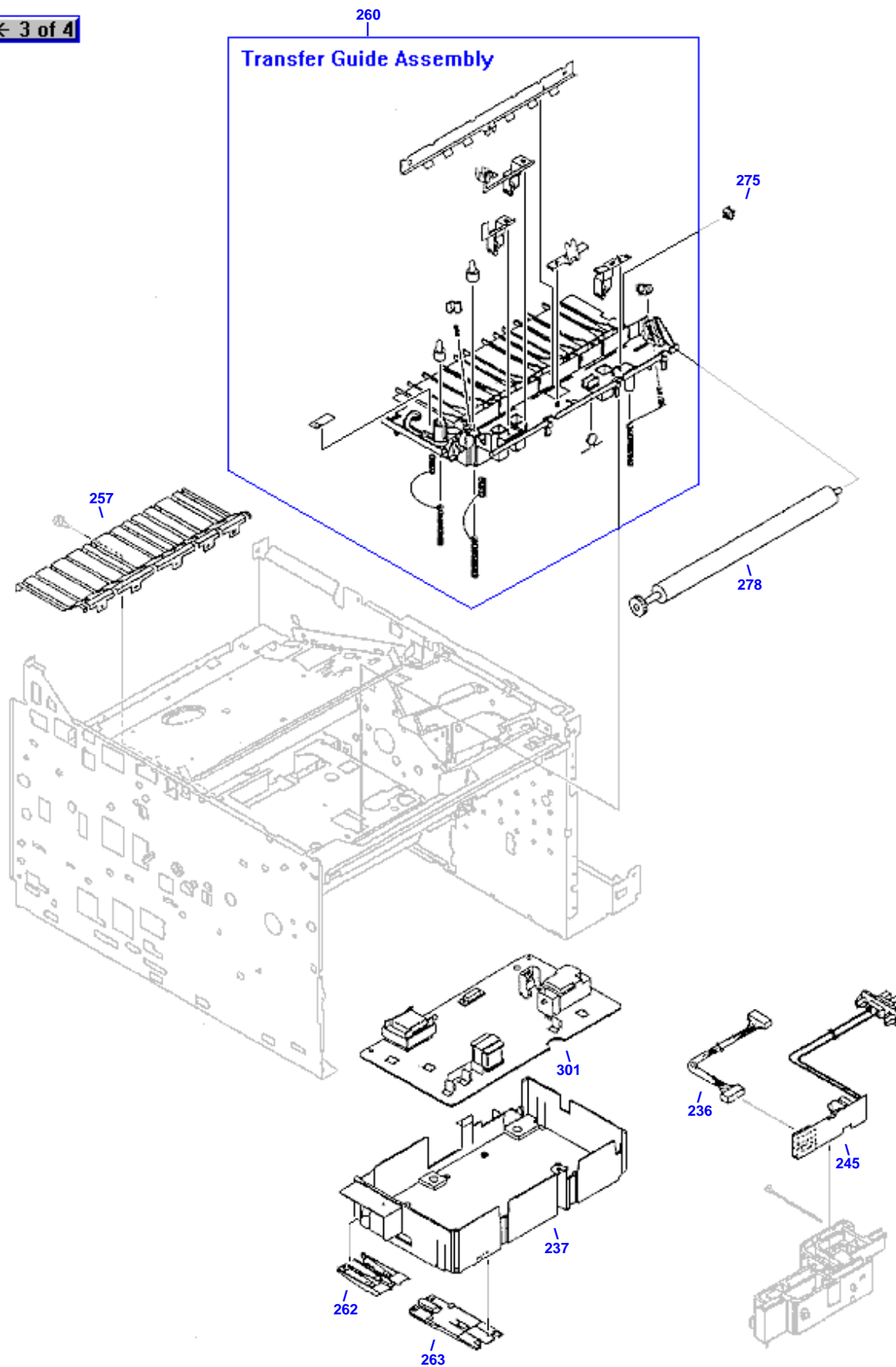
← 2 of 4

4 of 4 →



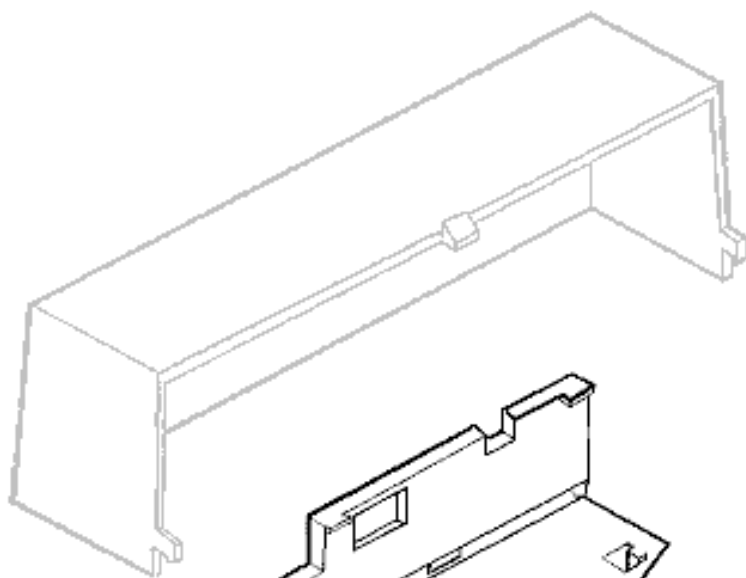
Internal Components (4 of 4)

← 3 of 4

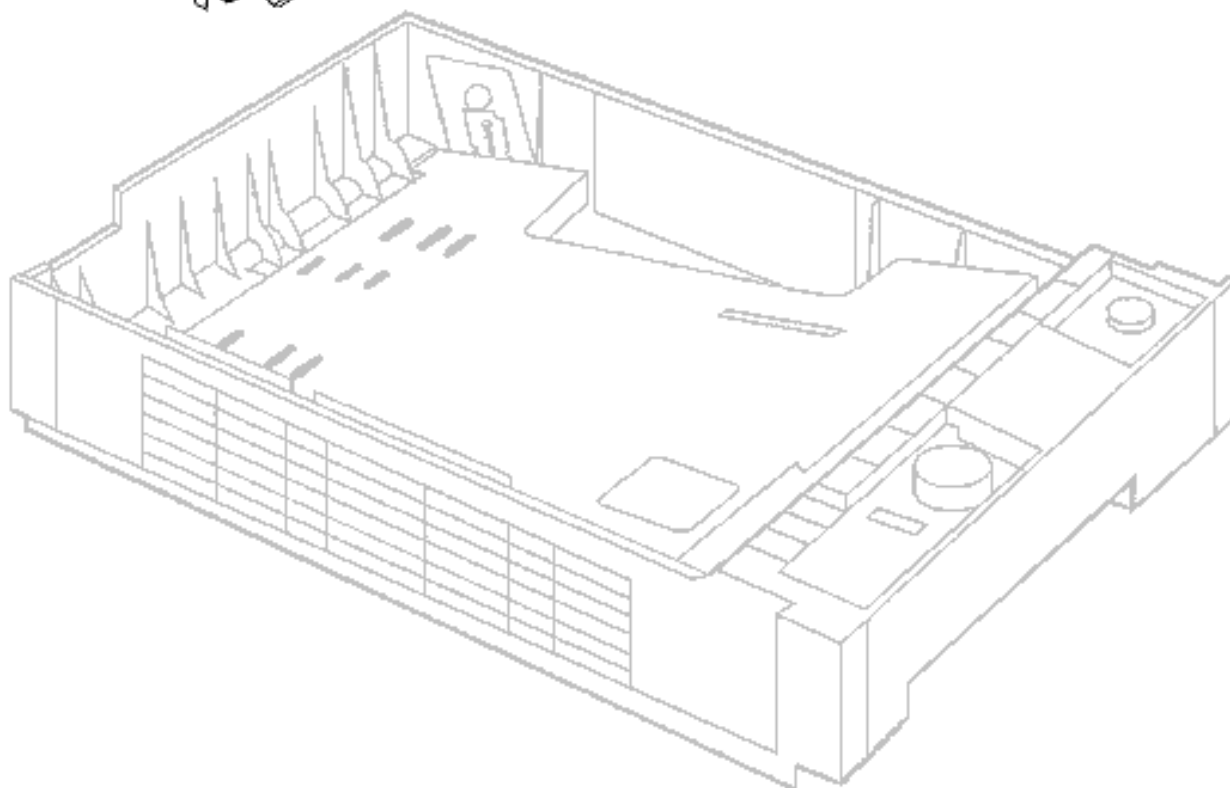


Lower Cassette Tray Assembly

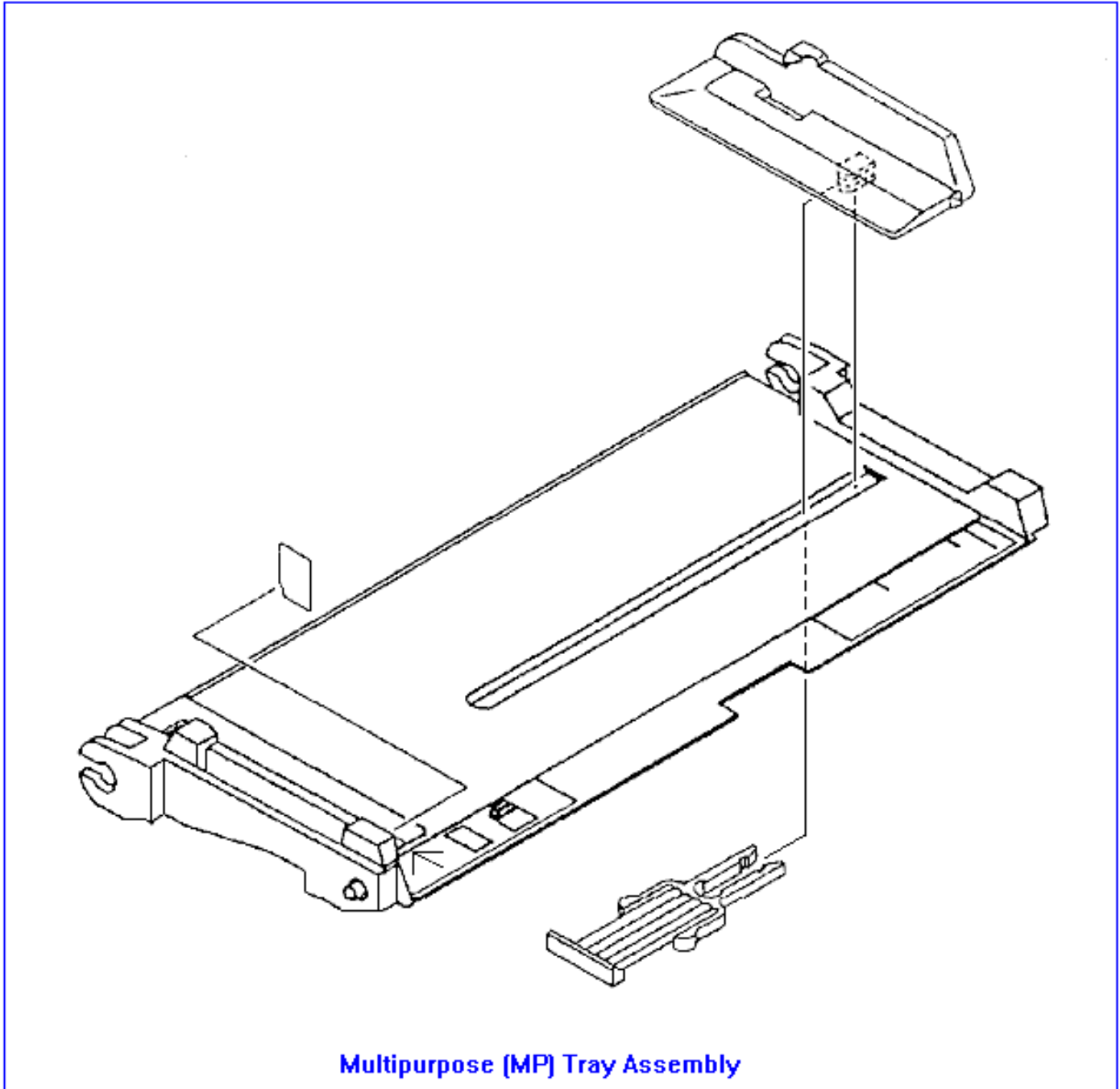
193 -  Lower Cassette Tray Assembly



192

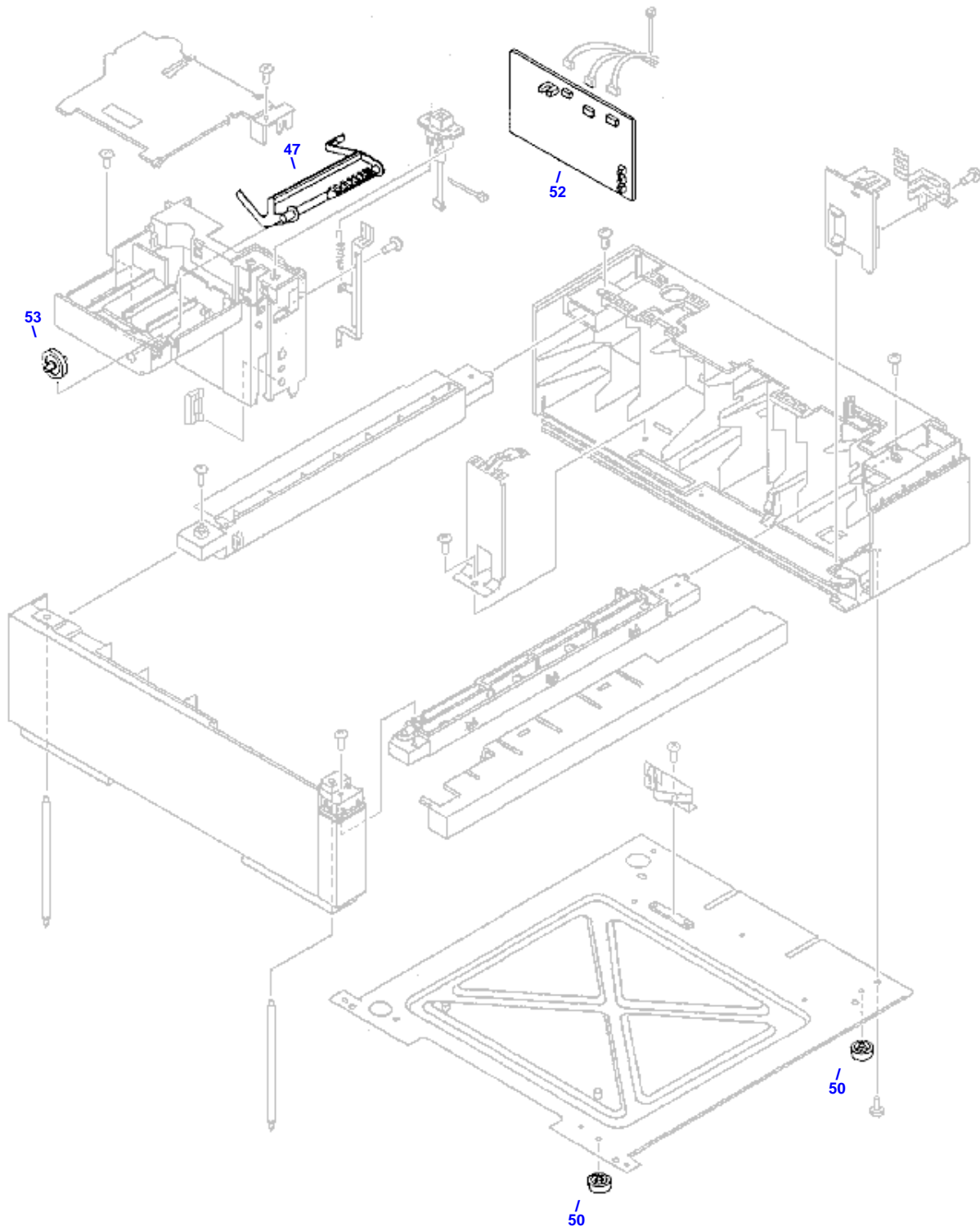


Multipurpose (MP) Tray Assembly

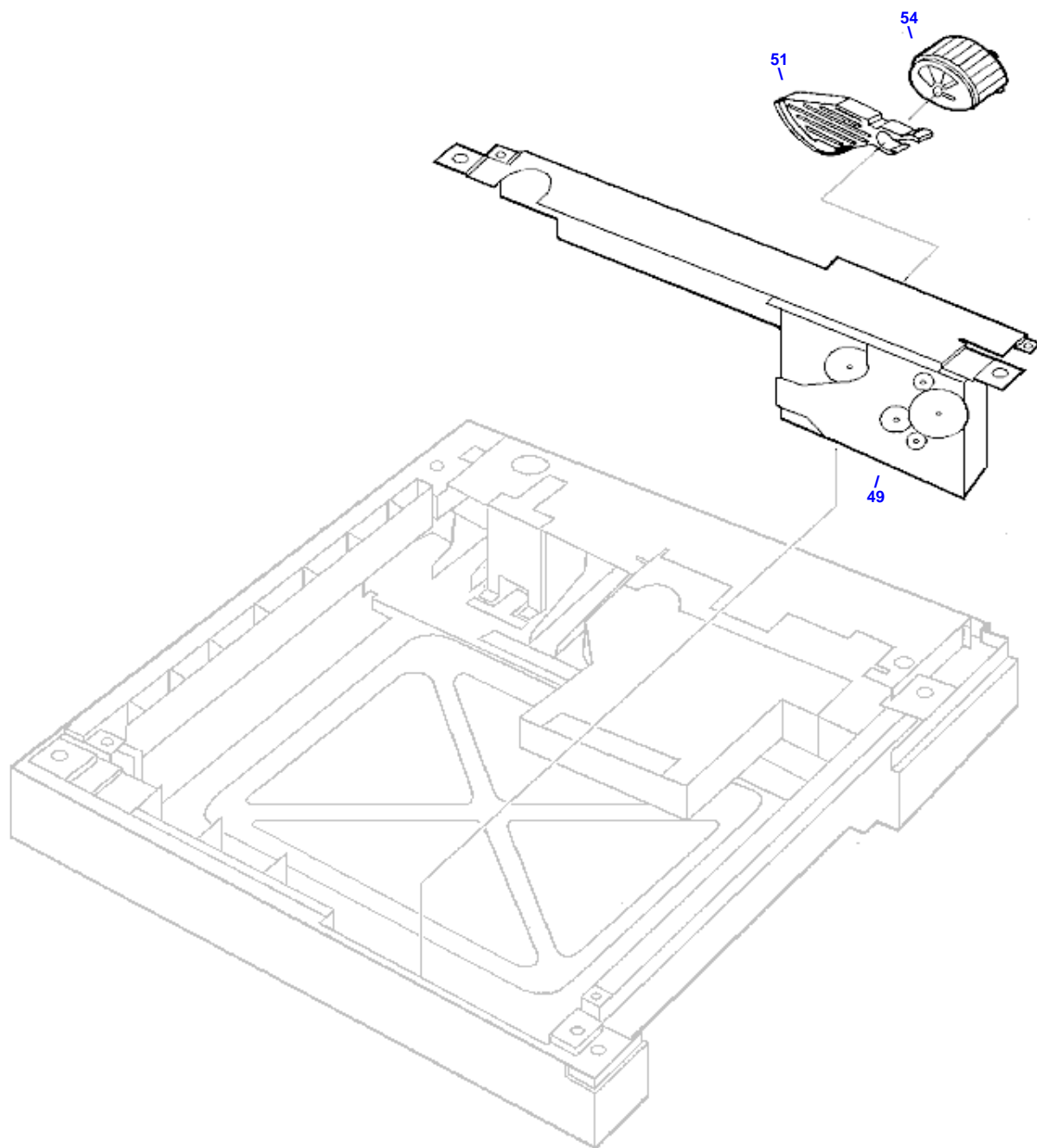


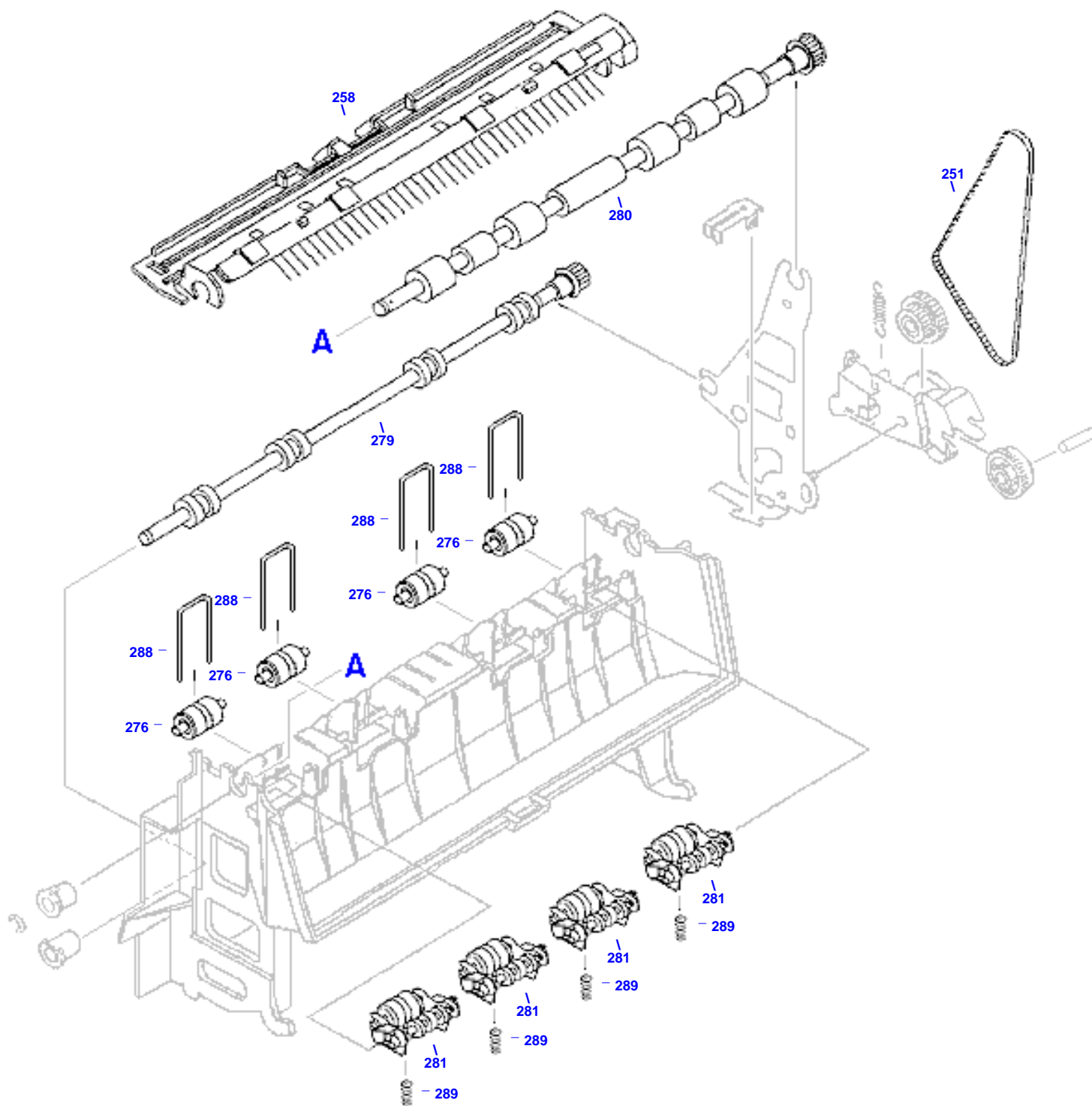
102

Optional Lower Cassette Base Assembly



Optional Lower Cassette Base Drive Assembly

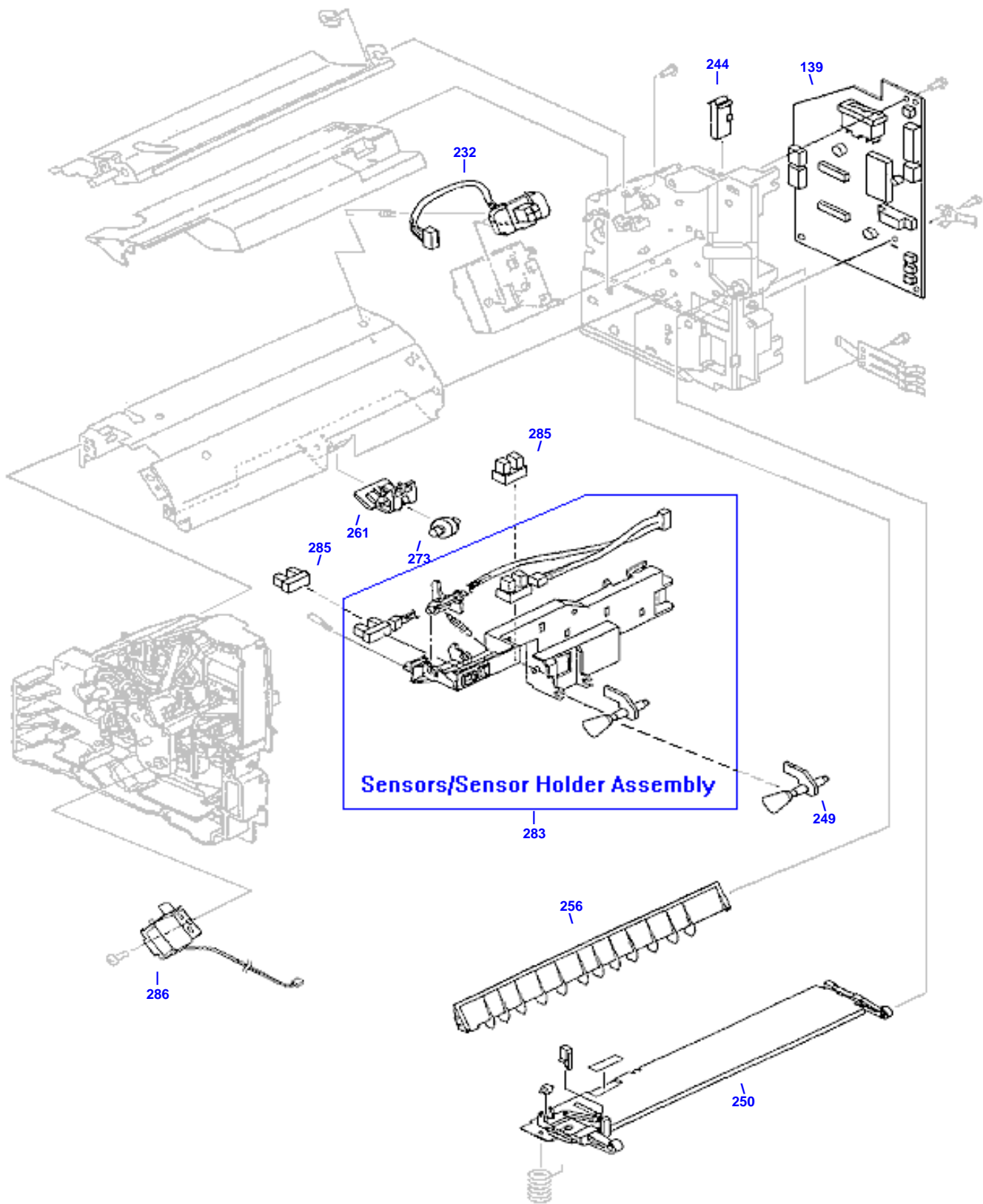


Paper Output Assembly270 -  **Paper Output Assembly**

Paper Pickup Assembly (1 of 2)

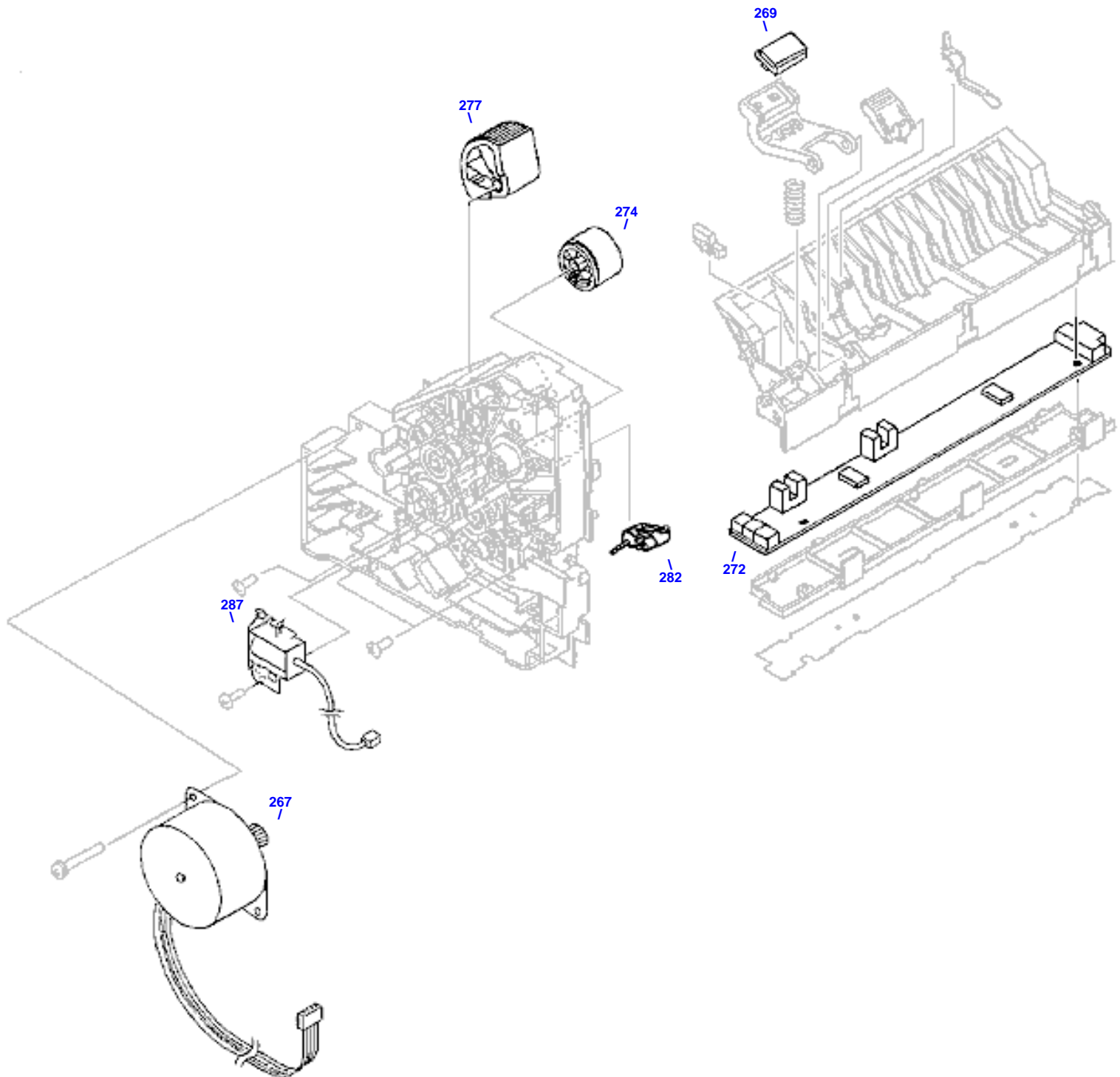
271 -  Paper Pickup Assembly

2 of 2 →

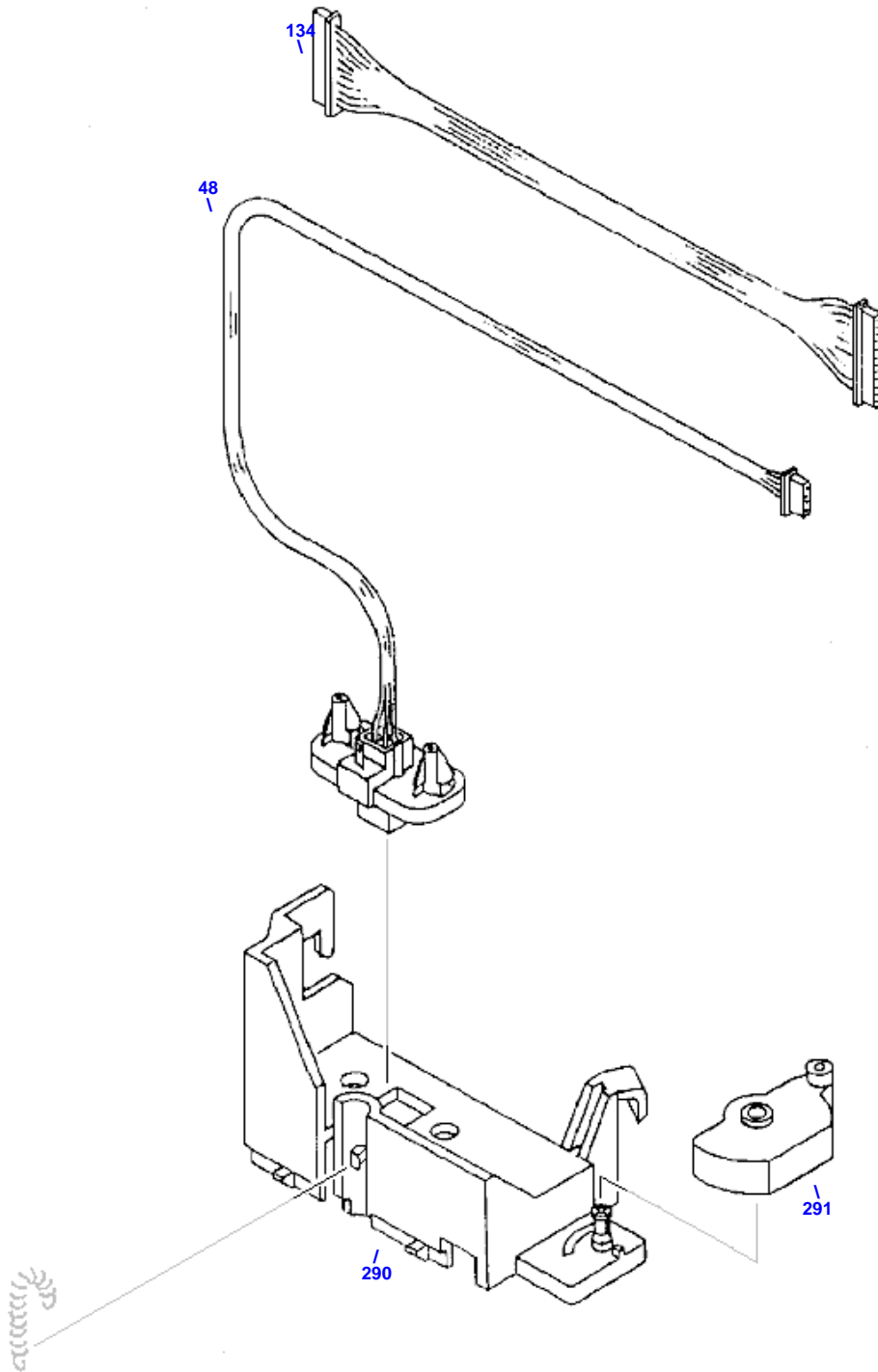


Paper Pickup Assembly (2 of 2)

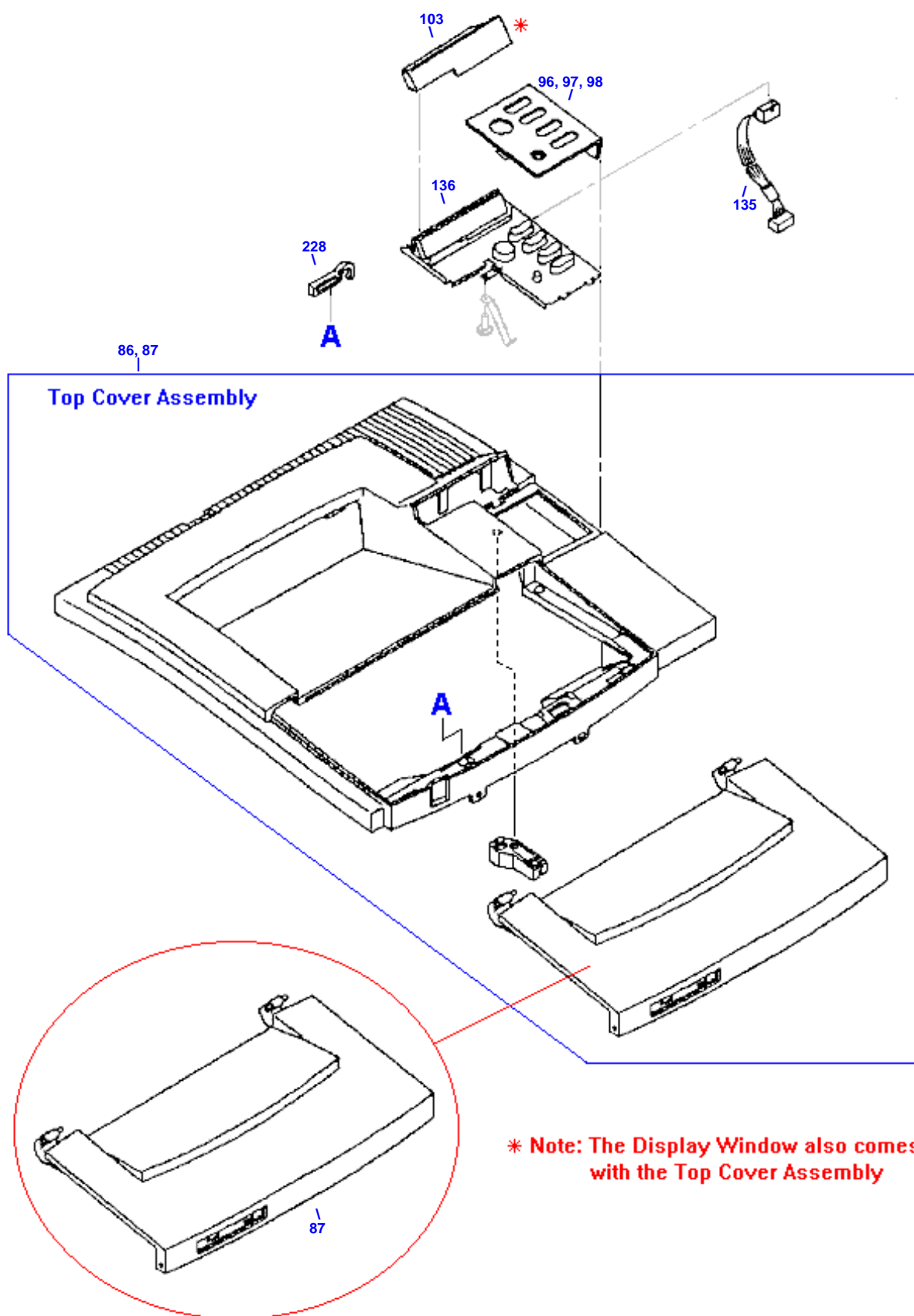
← 1 of 2

271 -  Paper Pickup Assembly

Power Switch Actuator Assembly

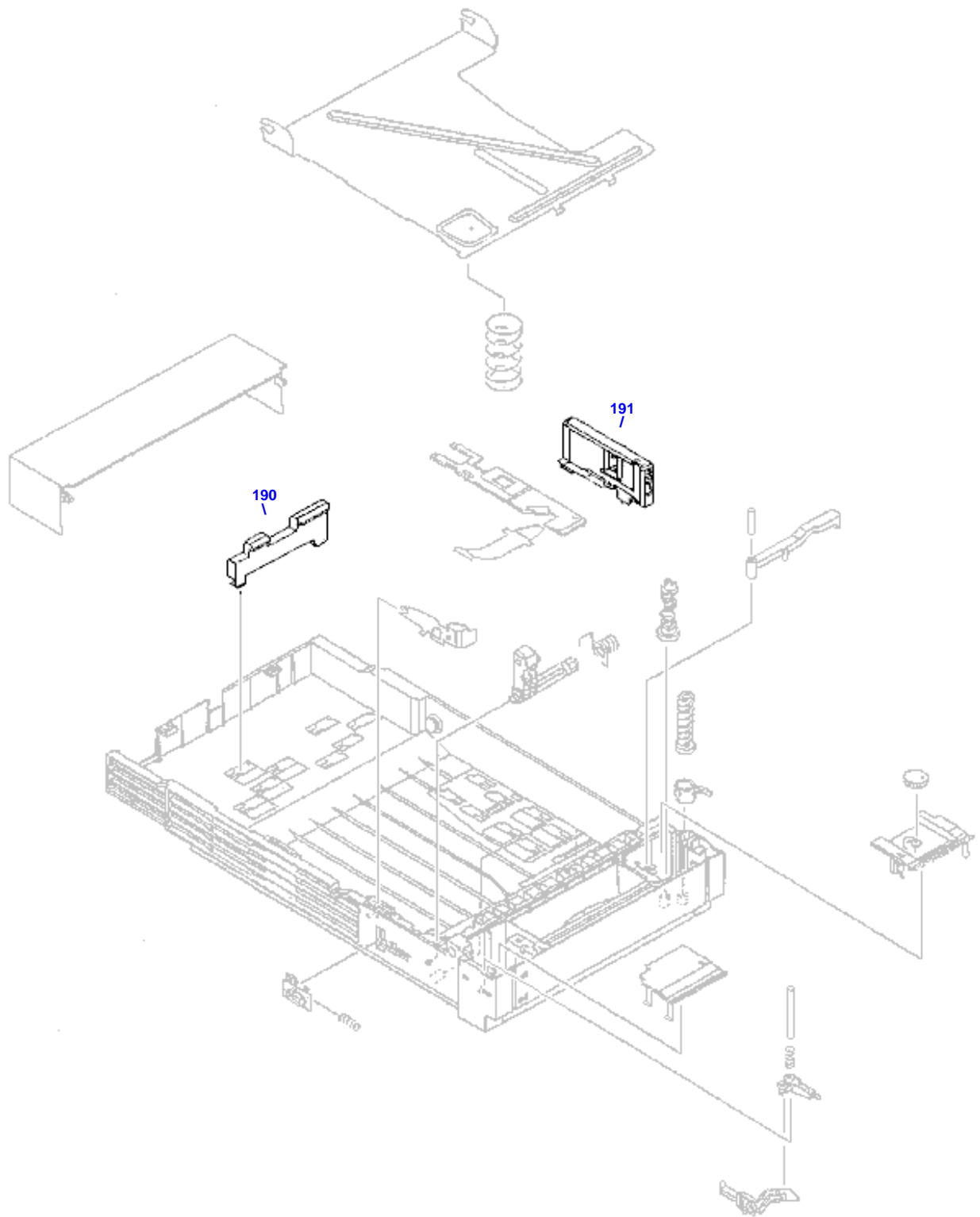


Top Cover Assembly



Universal Paper Tray

194, 195, 196 -  Universal Paper Tray





HP Parts Reference Guide

<http://www.hp.com/go/parts>

HP PartSurfer

<http://partsurfer.hp.com>

HP Parts Ordering Information

<http://www.hp.com/go/hpparts>

HP Parts Questions/Comments

<http://partsurfer.hp.com/contactus.htm>