

C2083A/B Lower Cassette**Arm**

1 RB1-2615-000CN Cassette sensor arm

Cable

2 RG5-0530-000CN Cable assembly - From paper control board to connector for the optional lower cassette sheet feeder assembly

Drive

3 RG5-0481-000CN Lower cassette drive assembly (Drive motor and gears)

Foot

4 RB1-2620-000CN Rubber foot

PC Board

6 RG5-0541-000CN Drive board

Paper Weight

5 RB1-2627-020CN Paper weight - Clips on to paper pickup drive shaft of the lower cassette base drive assembly

Roller

7 RB1-2616-000CN Guide roller - Mounts in the lower cassette base assembly

8 RB1-2632-000CN Pickup roller (Oval shaped) - In the lower cassette base assembly
NO LONGER SUPPLIED

C2083D Lower Cassette**Arm**

9 RB1-2615-000CN Cassette sensor arm

Cable

10 RG5-0530-000CN Cable assembly - From paper control board to connector for the optional lower cassette sheet feeder assembly

Drive

11 RG5-1099-000CN Lower cassette drive assembly (Drive motor and gears)

Foot

12 RB1-2620-000CN Rubber foot

PC Board

14 RG5-1086-000CN Drive board

Paper Weight

13 RB1-2627-020CN Paper weight - Clips on to paper pickup drive shaft of the lower cassette base drive assembly

Roller

15 RB1-2616-000CN Guide roller - Mounts in the lower cassette base assembly

16 RB1-2650-000CN Pickup roller (Oval shaped) - In the lower cassette base assembly

Upgrade Kit

C2083-69001 Lower cassette upgrade (500 sheet feeder) - With 500 sheet multi-size paper tray
NO LONGER SUPPLIED

C2083D Lower cassette upgrade (500 sheet feeder) - With 500 sheet multi-size paper tray
NO LONGER SUPPLIED

Electronic Accessories**Cable (Interface)**

17255D RS-232C serial cable - 25 pin (M) to 25 pin (F) - 1.2m (3.9ft) long
NO LONGER SUPPLIED

17302A RS-232C serial cable - 25 pin (M) to 8 pin (M) DIN - 1.5m (4.9ft) long
NO LONGER SUPPLIED

24540-80010 Centronics (parallel) cable - 36 pin (M) to 25 pin (M) - 2.0m (6.6ft) long

24542G RS-232C serial cable - 25 pin (M) to 9 pin (F) - 3.0m (9.8ft) long - Used to connect to HP Vectra and IBM PC/AT compatibles

Electronic Accessories**Cable (Interface)**

5063-1256	IEEE-1284 Bi-Tronics parallel cable - DB-25 (M) connector (type A) to 36 pin Centronics (M) connector (type B) - 2.0m (6.6ft) long
5063-1257	IEEE-1284 Bi-Tronics parallel cable - DB-25 (M) connector (type A) to 36 pin Centronics (M) connector (type B) - 3.0m (9.8ft) long
C2913A	RS-232C serial cable - 25 pin (M) to 25 pin (F) - 1.2m (3.9ft) long NO LONGER SUPPLIED
C2950A	IEEE-1284 Bi-Tronics parallel cable - DB-25 (M) connector (type A) to 36 pin Centronics (M) connector (type B) - 2.0m (6.6ft) long
5063-1256	<i>New Part for C2950A</i>
C2951A	IEEE-1284 Bi-Tronics parallel cable - DB-25 (M) connector (type A) to 36 pin Centronics (M) connector (type B) - 3.0m (9.8ft) long
C2990A	IEEE-1284 Bi-Tronics parallel cable - DB-25 (M) (type A) to 36 pin (M) Centronics (type B) - 1.8m (6ft) long NO LONGER SUPPLIED
C2991A	IEEE-1284 Bi-Tronics parallel cable - DB-25 (M) (type A) to 36 pin (M) Centronics (type B) - 3.0m (10ft) long NO LONGER SUPPLIED

Envelope Feeder

C2082-67901	Power envelope feeder - Holds 75 envelopes
-------------	--

Memory (Product)

C2065A	4MB, 80nS, 36-bit SIMM memory module - For HP LaserJet IIISi, 4/4M, 4Si/MX NO LONGER SUPPLIED
C2066A	8MB, 80nS, 36-bit SIMM memory module - For HP LaserJet IIISi, 4/4M, 4Si/MX

Memory (SIMM)

D2150-69001	1MB, 80nS, 36-bit SIMM memory module NO LONGER SUPPLIED
D2152-69001	8MB, 80nS, 36-bit SIMM memory module REQUIRES RETURN OF DEFECTIVE PART
<i>D2152-63001</i>	<i>New Part for D2152-69001</i>
D2156-69001	4MB, 80nS, 36-bit SIMM memory module REQUIRES RETURN OF DEFECTIVE PART
<i>D2156-63001</i>	<i>New Part for D2156-69001</i>
D2381-63001	2MB, 80nS, 36-bit SIMM memory module

PostScript

C2080-69001	Postscript SIMM module - Includes 35 adobe fonts NO LONGER SUPPLIED
C2080A	Adobe's postscript (Level 2) SIMM module - Includes 35 fonts NO LONGER SUPPLIED

External Case Parts**Cover**

39	RB1-2346-000CN	Right side cover
40	RB1-2347-000CN	Left side cover NO LONGER SUPPLIED
41	RB1-2366-000CN	Empty slot cover
42	RG5-0458-000CN	Top cover assembly - Includes hinges, top cover, & top door NO LONGER SUPPLIED
43	RG5-0459-000CN	Right front cover assembly - Includes spring loaded font door NO LONGER SUPPLIED

External Case Parts**Door**

44	RB1-2322-000CN	Door - On top of printer - Lift-up printer access cover NO LONGER SUPPLIED
45	RB1-2351-000CN	MP door - On front panel - Does NOT include tray extension NO LONGER SUPPLIED
46	RF5-0533-000CN	Rear door assembly - Includes support strap, latch, and spring NO LONGER SUPPLIED

Foot

47	RB1-2114-000CN	Rubber foot
----	----------------	-------------

Holder

48	RB1-2125-000CN	Latch holder (White)
----	----------------	----------------------

Latch

49	RB1-2335-000CN	Rear door latch
50	XZ9-0379-000CN	Door latch insert (Black)

Overlay

51	C2001-40001	Control panel overlay (English) NO LONGER SUPPLIED
52	C2001-40002	Control panel overlay (French)
53	C2001-40003	Control panel overlay (German)
54	C2001-40004	Control panel overlay (Italian)
55	C2001-40005	Control panel overlay (Spanish) NO LONGER SUPPLIED
56	C2001-40006	Control panel overlay (Norwegian)
57	C2001-40007	Control panel overlay (Swedish)
58	C2001-40008	Control panel overlay (Danish)
59	C2001-40009	Control panel overlay (Finnish)
60	C2001-40010	Control panel overlay (Dutch)
61	C2001-40011	Control panel overlay (Polish)
62	C2001-40012	Control panel overlay (Turkish) NO LONGER SUPPLIED
63	C2001-40013	Control panel overlay (Portuguese) NO LONGER SUPPLIED

Spring

64	RS5-2219-000CN	Rear door spring under rear door latch NO LONGER SUPPLIED
----	----------------	--

Strap

65	RB1-2354-000CN	Support strap for rear door - Supports door when open
----	----------------	---

Tray

66	RB1-2143-000CN	Multi-Purpose tray extension - Pulls out from MP door (Tray) NO LONGER SUPPLIED
67	RG5-0472-000CN	Multi-Purpose input tray - Attaches to front door NO LONGER SUPPLIED

Fusing Assembly Parts**Fusing Assembly**

68	5181-2256	Fusing assembly (240V, 50Hz) - Bonds toner to paper by heat - In quantity price break packaging (Contains 5 New fusing assemblies) NO LONGER SUPPLIED
69	5181-2257	Fusing assembly (240V, 50Hz) - Bonds toner to paper by heat - In quantity price break packaging (Contains 10 New fusing assemblies)

Fusing Assembly Parts**Fusing Assembly**

- 70 C2001-69003 Fusing assembly (120V, 60Hz) - Bonds toner to paper by heat
REQUIRES RETURN OF DEFECTIVE PART
RG5-0454-060CN New Part for C2001-69003
- 71 C2001-69004 Fusing assembly (240v,50Hz) - Bonds toner to paper by heat
REQUIRES RETURN OF DEFECTIVE PART
RG5-0455-220CN New Part for C2001-69004

Gear

- 72 RS5-0230-000CN Fusing roller drive gear - 34 tooth
- 73 RS5-0231-000CN Fuser drive gear - 19 tooth
RS5-0232-000CN Fuser output gear - 23 tooth

Lamp

- 75 RH7-4047-000CN Fusing heat lamp (120v, 60Hz)
- 76 RH7-4049-000CN Fusing heat lamp (240v, 50Hz)

Roller

- 77 RB1-2263-000CN Fusing roller - Hollow roller - Heat lamp goes in its core
- 78 RB1-2264-000CN Lower pressure roller - Hard rubber roller - In fusing assembly
NO LONGER SUPPLIED

Thermistor

- 79 RH7-7045-000CN Thermistor assembly - Includes cable

Thermoswitch

- 80 RG5-0474-000CN Thermoswitch assembly (fuser temperature switch) - At end of fusing roller

Labels and Transparencies**Film (Transparency)**

- 92296U LaserJet printer transparency film - A4 size (21.0cm x 29.7cm) - 50 sheets per box
- 92296T LaserJet printer transparency film - A size (8.5 x 11-inches) - 50 sheets per box

Labels

- 92296A LaserJet printer addressing labels - 2.54cm (1.00in) x 6.67cm (2.63in) labels - 30 per sheet - 100 sheets per box
NO LONGER SUPPLIED
- 92296B LaserJet printer addressing labels - 3.38cm (1.33in) x 10.2cm (4.00in) labels - 14 per sheet - 100 sheets per box
NO LONGER SUPPLIED
- 92296C LaserJet printer addressing labels - 2.54cm (1.00in) x 10.2cm (4.00in) labels - 20 per sheet - 100 sheets per box
NO LONGER SUPPLIED
- 92296D LaserJet printer addressing/shipping labels - 5.08cm (2.00in) x 10.2cm (4.00in) labels - 10 per sheet - 100 sheets per
box
NO LONGER SUPPLIED
- 92296E LaserJet printer shipping labels - 8.47cm (3.33in) x 10.2cm (4.00in) labels - Six per sheet - 100 sheets per box
NO LONGER SUPPLIED
- 92296F LaserJet printer return address labels - 1.27cm (0.50in) x 4.45cm (1.75in) labels - 80 per sheet - 25 sheets per box
NO LONGER SUPPLIED
- 92296G LaserJet printer file folder labels - 1.69cm (0.67in) x 8.73cm (3.44in) labels - 30 per sheet - 25 sheets per box
NO LONGER SUPPLIED
- 92296H LaserJet printer labels for 3.5-inch diskettes - 7.00cm (2.75in) x 7.00cm (2.75in) labels - Nine per sheet - 70 sheets per
box
NO LONGER SUPPLIED
- 92296J LaserJet printer labels for 5.25-inch diskettes - 3.81cm (1.50in) x 10.2cm (4.00in) labels - 12 per sheet - 70 sheets per
box
NO LONGER SUPPLIED
- 92296K LaserJet printer full sheet label - A size (8.5 x 11-inches) label - One per sheet - 100 sheets per box
NO LONGER SUPPLIED

Labels and Transparencies**Labels**

92296L	LaserJet/DeskJet printer labels - 9.91cm (3.90in) x 3.81cm (1.50in) labels on A4 size (21.0cm x 29.7cm) sheet - 14 per sheet - 100 sheets per box NO LONGER SUPPLIED
92296M	LaserJet/DeskJet printer labels - 9.91cm (3.90in) x 3.38cm (1.33in) labels on A4 size (21.0cm x 29.7cm) sheet - 16 per sheet - 100 sheets per box NO LONGER SUPPLIED
92296N	LaserJet/DeskJet printer labels - 6.35cm (2.52in) x 3.81cm (1.50in) labels on A4 size (21.0cm x 29.7cm) sheet - 21 per sheet - 100 sheets per box NO LONGER SUPPLIED
92296P	LaserJet/DeskJet printer labels - 10.0cm (3.94in) x 5.10cm (2.01in) labels on A4 size (21.0cm x 29.7cm) sheet - 10 per sheet - 100 sheets per box NO LONGER SUPPLIED
92296R	LaserJet/DeskJet printer labels - 20.0cm (7.86in) x 28.9cm (11.4in) labels on A4 size (21.0cm x 29.7cm) sheet - One per sheet - 100 sheets per box NO LONGER SUPPLIED

Logic/Control Electronics**Cable**

98	RG5-0519-000CN	Cable assembly - From DC controller board to the control panel NO LONGER SUPPLIED
99	RG5-0524-000CN	Cable assembly - From DC controller to paper control board

Control Panel

100	RG5-0478-000CN	Control panel assembly (for 220V/240V operation ONLY) - Includes the display (Overlay NOT included) NO LONGER SUPPLIED
101	RG5-0533-000CN	Control panel assembly (for 100V/120V operation) - Includes the display and an english overlay NO LONGER SUPPLIED

PC Board

102	C2002-67901	Formatter (Main logic) board NO LONGER SUPPLIED
	RG5-0511-000CN	DC controller board
104	RG5-0512-070CN	Paper control board - On right side of paper feed assembly
105	RG5-0515-000CN	Interconnect board - Includes cable to A/C power module - Connects DC controller and high voltage power supply to fusing assembly

Optional Interfaces**Interface (Module)**

J4101-61011	External JetDirect 300X print server module (10Base-T and 100Base-T) - Connects between printer parallel port and LAN network - Does NOT include power module - (J4101A, J4101B)
-------------	--

Interface (Product)

J2552B	LAN & LocalTalk interface - Has EtherTwist (10Base-T) , ThinLAN (10Base-2) , and LocalTalk (DIN-8) connectors NO LONGER SUPPLIED
J2555B	Token ring LAN interface board - DB-9 and RJ-45 connectors NO LONGER SUPPLIED
J2556B	EtherTwist (10Base-T) or 100Base-TX LAN interface board - Has an RJ-45 connector NO LONGER SUPPLIED
J2590A	External JetDirect LAN interface module with RJ-45 connector for EtherTwist (10Base-T) or 100VG/802.12 input and 3 parallel (DB-25) output connectors NO LONGER SUPPLIED
J2591A	External JetDirect LAN interface module and power module - Has EtherTwist (10Base-T) and ThinLAN (10Base-2) connectors NO LONGER SUPPLIED
J3258B	External JetDirect 170X LAN interface module - Interfaces a parallel printer to an ethernet 10Base-T (RJ-45) LAN
J3264A	External JetDirect 500X token ring interface module - Interfaces up to 3 parallel printers to a token ring (DB-9 or RJ-45) LAN

Optional Interfaces
Interface (Product)

J3265A	External JetDirect 500X LAN interface module - Interfaces up to 3 parallel printers to an ethernet 10Base-T (RJ-45), 10Base2 (BNC), or 100Base-TX (RJ-45) LAN
J4100A	JetDirect 400N modular input/output (MIO) - Internal print server - Provides 10/100Base-T or 10Base-2 network connection using RJ45 or BNC connectors
J4105A	JetDirect 400N modular input/output (MIO) internal print server - Provides token ring network connection using RJ45 or DB9 connectors
J4106A	JetDirect 400N modular input/output (MIO) internal print server - Provides 10Base-T network connection using RJ45 connector

Module

J2382-69003	External JetDirect LAN interface module with ethertwist (10Base-T) and ThinLAN (10BASE-2) connectors
J2383-61005	External token ring interface module - Has DB-9 connector
J2590-69001	External JetDirect LAN interface module with RJ-45 connector for ethertwist (10Base-T) or 100VG/802.12 input and 3 parallel (DB-25) output connectors REQUIRES RETURN OF DEFECTIVE PART
<i>J2590-61011</i>	<i>New Part for J2590-69001</i>
J2591-69001	External JetDirect LAN interface module with ethertwist (10Base-T) and ThinLAN (10BASE-2) connectors
J2592-69001	External JetDirect LAN interface module with ethertwist (10Base-T) connector REQUIRES RETURN OF DEFECTIVE PART
<i>J2592-61001</i>	<i>New Part for J2592-69001</i>
J2593-69001	External JetDirect LAN interface module with Ethertwist (10Base-T) and ThinLAN (10BASE-2) input connectors and 3 parallel (DB-25) output connectors - (part of J2593A)
J2594-69001	External JetDirect token ring interface module with DB-9 and RJ-45 input connectors and 3 parallel (DB-25) output connectors - (part of J2594A) REQUIRES RETURN OF DEFECTIVE PART
<i>J2594-61011</i>	<i>New Part for J2594-69001</i>
J3258-61011	External JetDirect LAN interface module with EtherTwist (10Base-T) connector - (J3258A, J3258B)
J4102-69011	External JetDirect LAN interface module with EtherTwist (10Base-T) connector - (J4102A, J4102B) REQUIRES RETURN OF DEFECTIVE PART
<i>J4102-61011</i>	<i>New Part for J4102-69011</i>

Module (Product)

J4101B	External JetDirect LAN interface module with EtherTwist (10Base-T/Base-TX) connector
J4102B	External JetDirect LAN interface module with EtherTwist (10Base-T) connector

PC Board (Interface)

J2338-60001	LAN interface board with EtherTwist - Has 10Base-T and ThinLAN 10Base-2 connectors - For LAN manager networks NO LONGER SUPPLIED
J2339-69001	AppleTalk (EtherTalk) interface board with EtherTwist - Has 10Base-T and ThinLAN 10Base-2 connectors NO LONGER SUPPLIED
J2340-69001	LAN interface board with EtherTwist - Has 10Base-T and ThinLAN 10Base-2 connectors - Connects to UNIX network NO LONGER SUPPLIED
J2341-60128	AppleTalk (LocalTalk) interface board - Has DIN-8 connector
J2371-69001	EtherTwist 10Base-T interface board NO LONGER SUPPLIED
J2372-69001	LAN interface board with EtherTwist 10Base-T and ThinLAN 10Base-2 connectors
<i>J4100-69001</i>	<i>New Part for J2372-69001</i>
J2373-60001	Token ring interface board - Has DB-9 connector NO LONGER SUPPLIED
J2550-69013	EtherTwist 10Base-T LAN interface board
J2552-69013	LAN and LocalTalk interface - EtherTwist (10Base-T), ThinLAN (10Base-2), and LocalTalk (DIN-8) connectors
J2555-69013	Token ring LAN interface board - DB-9 and RJ-45 connectors

**Optional Interfaces****PC Board (Interface)**

- J4100-69001 JetDirect 400N modular input/output (MIO) internal print server - Provides 10/100Base-TX or 10Base-2 network connection using RJ45 or BNC connectors - (J4100A)
REQUIRES RETURN OF DEFECTIVE PART
- J4100-61001 New Part for J4100-69001*
- J4106-69001 Replacement JetDirect 400N modular input/output (MIO) internal print server
REQUIRES RETURN OF DEFECTIVE PART
- J4106-61001 New Part for J4106-69001*

Power Cord

- 8120-1351 Power cord (Mint Gray) - 17 AWG, 2.3m (7.5ft) long - Has straight (F) receptacle (For 240V in the UK, Hong Kong, Singapore, Malaysia, and Brunei)
- 8120-1369 Power cord (Mint Gray) - 17 AWG, 2.0m (6.6ft) long - Has straight (F) receptacle (For 240V in Australia, New Zealand, and China)
- 8120-1378 Power cord (Jade Gray) - 18 AWG, 2.3m (7.5ft) long - Has straight (F) receptacle (For 120V in USA, Canada, Latin America, Korea, Taiwan, Thailand, Spain, Brazil, and Vietnam)
- 8120-1689 Power cord (Mint Gray) - 17 AWG, 2.0m (6.6ft) long - Has straight (F) receptacle (For 220V in Europe, Bangladesh, Indonesia, Pakistan, Burma, Sri Lanka, and Vietnam)
- 8120-2104 Power cord (Mint Gray) - 2.0m (6.6ft) long - Has straight (F) receptacle (For 220V in Switzerland)
- 8120-2956 Power cord (Mint Gray) - 2.0m (6.6ft) long - Has straight (F) receptacle (For 220V in Denmark)
- 8120-4753 Power cord (Flint Gray) - 18 AWG, 2.3m (7.5ft) long - Has straight (F) receptacle (For 100V in Japan)
- 8120-6302 'Daisy chain' power cord (Dove Gray) - 18 AWG, 1.2m (4.0ft) long - Has C14 (M) plug for power input and C13 (F) plug for power output

Power Module

- 0950-2372 Power supply module - 100-240VAC input, 47-63Hz, requires separate AC power cord - 5VDC output, 1A, 5 watts - For J2382/83A/B
- 0950-3169 Wall mount power supply module - 110-127V AC 57-63Hz input - 13V DC output at 300mA (USA, Canada) - For use with the J2592A external JetDirect LAN interface module
- 0950-3170 Power supply module - 209-253VAC input, 47-53Hz - 13VDC output, 300mA (Europe, Israel) - For use with the J2592A external JetDirect LAN interface module
- 0950-3171 Power supply module - 220-240VAC input, 47-53Hz - 13VDC output, 300mA (U.K., Hong Kong) - For use with the J2592A external JetDirect LAN interface module
- 0950-3172 Power supply module - 240VAC input, 47-53Hz - 13VDC output, 300mA (Australia) - For use with the J2592A external JetDirect LAN interface module
- 0950-3348 Wall mount power supply module (MEI-AH ED12006) - 110-127VAC input, 57-63Hz - 13VDC output, 800mA, 10.4 watts (for use in the United States and Canada) - For models J2590/91/93/94A, J2964A, J3258A/B, J3263/64/65A, J3282B, J4101A/B, J4102A/B
- 0950-3349 Wall mount power supply module (MEI-AH ED12007) - 230VAC input, 47-53Hz - 13VDC output, 800mA, 10.4 watts (for use in Europe and Israel) - For JetDirect/infrared interface models J2590/91/93/94A, J2964A, J3258A/B, J3263/64/65A, J3282B, J4101A/B, J4102A/B
- 0950-3350 Wall mount power supply module (MEI-AH ED12008) - 220-240VAC input, 47-53Hz - 13VDC output, 800mA, 10.4 watts (for use in the United Kingdom) - For JetDirect/infrared interfaces J2590/91/93/94A, J2964A, J3258A/B, J3263/64/65A, J3282B, J4101A/B, J4102A/B
- 0950-3351 Wall mount power supply module (MEI-AH ED12009) - 220VAC input, 47-63Hz - 13VDC output, 800mA, 10.4 watts (for use in South Korea) - For JetDirect/infrared interface models J2590/91/93/94A, J2964A, J3258A/B, J3263/64/65A, J3282B, J4101A/B, J4102A/B
- 0950-3352 Wall mount power supply module (MEI-AH ED12010) - 100VAC input, 47-63Hz - 13VDC output, 800mA, 10.4 watts (for use in Japan) - For JetDirect/infrared interface models J2590/91/93/94A, J2964A, J3258A/B, J3263/64/65A, J3282B, J4101A/B, J4102A/B
- 0950-3354 Wall mount power supply module (MEI-AH ED12010) - 220-250VAC input, 47-53Hz - 13VDC output, 800mA, 10.4 watts (for use in South Africa) - For JetDirect/infrared interface models J2590/91/93/94A, J2964A, J3258A/B, J3263/64/65A, J3282B, J4101A/B, J4102A/B
- 9100-5176 Wall mount power supply module (Leader Electronics 48130625HK) - 200VAC input, 48-52Hz - 13VDC output, 625mA (Hong Kong) - For JetDirect Modules and Infrared Interface Models J2590/91/93/94A, J2964A, J3258A/B, J3263/64/65A, J3282B, J4101A/B, J4102A/B
- 0950-3350 New Part for 9100-5176*

Optional Paper Trays**Stop**

161	RB1-2370-020CN	Stop plate - For paper length in 250 page universal cassette
162	RF5-0430-000CN	Stop plate - For paper width in 250 page universal cassette
163	RF5-0446-000CN	Stop plate - For paper length in 500 page lower cassette NO LONGER SUPPLIED

Tab

RA2-1999-000CN	Corner tab for universal cassette, LaserJet 4 - Prevents paper wrinkling and misfeeds
----------------	---

Tray

165	C2084A	HP LaserJet 4 and 4M Multi-size 500-sheet tray - Holds letter, Executive, and A4 size paper - Only fits C2083A optional 500 sheet feeder assembly
166	C2084C	HP LaserJet 4, 4M, 4+, and 4M+ Multi-size 500-sheet tray - Holds letter, Executive, and A4 size paper
167	C2084D	HP LaserJet 4, 4M, 4+, and 4M+ Multi-size 500-sheet tray - Holds letter, legal Executive, and A4 size paper - Only fits C2083D optional 500 sheet feeder assembly
168	C2085A	HP LaserJet 4 and 4M Multi-size 250-sheet tray - Holds letter, legal Executive, and A4 size paper
169	C2085B	HP LaserJet 4 and 4M Letter paper input tray - Holds 250 sheets of 8.5in x 11in letter size paper
170	C2085C	HP LaserJet 4 and 4M A4 paper input tray - Holds 250 sheets of 8.3in x 11.7in A4 size paper

Other Accessories**Brush**

171	RB1-2260-000CN	Cleaning brush - For cleaning the antistatic teeth
-----	----------------	--

Cartridge

92298A	Black toner (EP) cartridge - With 'Micro-Fine' toner - Prints approximately 6,800 pages
92298X	Maximum black toner (EP) cartridge - With 'Micro-Fine' toner - Prints approximately 8, 800 pages

Manual

C2001-90901	C2001A/C2021A LaserJet 4/4M printer set-up guide (English) NO LONGER SUPPLIED
C2001-90902	C2001A/C2021A LaserJet 4/4M printer set-up guide (Danish) NO LONGER SUPPLIED
C2001-90903	C2001A/C2021A LaserJet 4/4M printer set-up guide (Dutch) NO LONGER SUPPLIED
C2001-90904	C2001A/C2021A LaserJet 4/4M printer set-up guide (Finnish) NO LONGER SUPPLIED
C2001-90905	C2001A/C2021A LaserJet 4/4M printer set-up guide (French) NO LONGER SUPPLIED
C2001-90906	C2001A/C2021A LaserJet 4/4M printer set-up guide (German) NO LONGER SUPPLIED
C2001-90907	C2001A/C2021A LaserJet 4/4M printer set-up guide (Italian) NO LONGER SUPPLIED
C2001-90908	C2001A/C2021A LaserJet 4/4M printer set-up guide (Norwegian) NO LONGER SUPPLIED
C2001-90909	C2001A/C2021A LaserJet 4/4M printer set-up guide (Spanish) NO LONGER SUPPLIED
C2001-90911	C2001A/C2021A LaserJet 4/4M printer set-up guide (Portuguese) NO LONGER SUPPLIED
C2001-90934	Software application notes for the LaserJet 4 printer NO LONGER SUPPLIED
C2001-90943	Network notes for the LaserJet 4 printer NO LONGER SUPPLIED
C2001-90946	C2001A/C2021A LaserJet 4/4M printer set-up guide (Turkish) NO LONGER SUPPLIED
C2001-90947	C2001A/C2021A LaserJet 4/4M printer set-up guide (Polish) NO LONGER SUPPLIED

Other Accessories**Manual**

C2001-90951	C2001A/C2021A LaserJet 4/4M printer set-up guide (European English)
C3916-90984	LaserJet 4, 4M, 4+, 4M+, 5, 5M, and 5N printer combined service manual (English) - Also includes installation and service and parts information on the C3157A and C3920A duplexers
5021-8943	LaserJet quick reference guide - Volume 1 of 2 volume set
5090-3390	LaserJet quick reference guide - Volume 2 of 2 volume set

Manual Kit

5021-0377	HP-GL/2, PCL5 and PJL technical reference manual kit
C2001-90912	LaserJet 4 & 4M manual set (English) - Includes user's manuals and quick reference guide NO LONGER SUPPLIED
C2001-99004	LaserJet 4 & 4M manual set - Includes user's manual and quick reference guide (Portuguese) NO LONGER SUPPLIED
C2001-99005	LaserJet 4 & 4M manual set - Includes user's manual and quick reference guide (French-Canadian) NO LONGER SUPPLIED
C2001-99006	LaserJet 4 & 4M manual set - Includes user's manual and quick reference guide (German) NO LONGER SUPPLIED
C2001-99007	LaserJet 4 & 4M manual set - Includes user's manual and quick reference guide (European-Spanish) NO LONGER SUPPLIED
C2001-99008	LaserJet 4 & 4M manual set - Includes user's manual and quick reference guide (French) NO LONGER SUPPLIED
C2001-99009	LaserJet 4 & 4M manual set - Includes user's manual and quick reference guide (Dutch) NO LONGER SUPPLIED
C2001-99010	LaserJet 4 & 4M manual set - Includes user's manual and quick reference guide (Latin American-Spanish, Mexican) NO LONGER SUPPLIED
C2001-99011	LaserJet 4 & 4M manual set - Includes user's manual and quick reference guide (Norwegian) NO LONGER SUPPLIED
C2001-99012	LaserJet 4 & 4M manual set - Includes user's manual and quick reference guide (Swedish) NO LONGER SUPPLIED
C2001-99013	LaserJet 4 & 4M manual set - Includes user's manual and quick reference guide (Finnish) NO LONGER SUPPLIED
C2001-99014	LaserJet 4 & 4M manual set - Includes user's manual and quick reference guide (Danish) NO LONGER SUPPLIED
C2001-99015	LaserJet 4 & 4M manual set - Includes user's manual and quick reference guide (Italian) NO LONGER SUPPLIED
C2001-99016	LaserJet 4 & 4M manual set - Includes user's manual and quick reference guide (Brazilian/Portuguese) NO LONGER SUPPLIED
C2001-99017	LaserJet 4 & 4M manual set - Includes user's manual and quick reference guide (English/Turkish) NO LONGER SUPPLIED
C2001-99018	LaserJet 4 & 4M manual set - Includes user's manual and quick reference guide (English/Polish) NO LONGER SUPPLIED

Packaging

C2001-00906	Packaging (Shipping box) kit NO LONGER SUPPLIED
-------------	--

Software

C6072-60301	HP-GL/2 driver software for AutoCAD - For DOS and Windows 3.1/95/NT 4.0 - On 3.5-inch 1.44MB floppy disks (English)
C6072-60304	HP-GL/2 driver software for AutoCAD - For DOS and Windows 3.1/95/NT 4.0 - On 3.5-inch 1.44MB floppy disks (German)
C6072-60305	HP-GL/2 driver software for AutoCAD - For DOS and Windows 3.1/95/NT 4.0 - On 3.5-inch 1.44MB floppy disks (French)
C6072-60306	HP-GL/2 driver software for AutoCAD - For DOS and Windows 3.1/95/NT 4.0 - On 3.5-inch 1.44MB floppy disks (Spanish)

Other Accessories
Software

C6072-60307 HP-GL/2 driver software for AutoCAD - For DOS and Windows 3.1/95/NT 4.0 - On 3.5-inch 1.44MB floppy disks (Italian)

Training Kit

C2037+49A-61 Self paced training kit for LaserJet 4, 4M, 4+, and 4M+ - Includes service manual, NTSC format video (VHS), and five tests - Also includes 'LaserJet Basics' course
 NO LONGER SUPPLIED

C2037+49A-62 Self paced training kit for LaserJet 4, 4M, 4+, and 4M+ - Includes service manual, NTSC format video (VHS), and five tests - Does NOT include 'LaserJet Basics' course
 NO LONGER SUPPLIED

C2037+49A-64 Self paced training kit for LaserJet 4, 4M, 4+, and 4M+ - Includes service manual, PAL format video (VHS), and five tests - Does NOT include 'LaserJet Basics' course
 NO LONGER SUPPLIED

C3916-67909 Self paced training kit for LaserJet 4, 4M, 4+, 4M+, 5, 5M, and 5N - Includes service manual, NTSC format video (VHS)

C3916-67910 Self paced training kit for LaserJet 4, 4M, 4+, 4M+, 5, 5M, and 5N - Includes service manual, PAL format video (VHS)

Training Test

5961-0882 Additional self paced training test - Contains 5 tests for 'LaserJet Basics'
 NO LONGER SUPPLIED

C3916-90995 Additional self paced training test - Contains 5 tests for the LaserJet 5 series - Also covers the LJ 4, 4+, 4M, and 4M+

Other Internal Parts
Cable

222 RG5-0520-000CN Cable assembly - From DC controller to scanner assembly
 NO LONGER SUPPLIED

223 RG5-0521-000CN Cable assembly - From DC controller to connector board assembly - For high voltage connector block

224 RG5-0529-000CN Cable assembly - From paper control board to envelope feeder

225 RG5-0556-000CN Cable assembly - From DC controller to laser assembly

Cover

226 RB1-2141-000CN Inner cover plate

227 RB1-2226-000CN High voltage cover - Plastic 'Pan' for high voltage board

228 RB1-2343-000CN SIMM access cover plate

Fan

229 RH7-1144-000CN Fan assembly
 NO LONGER SUPPLIED

Guide

230 RB1-2107-000CN Cassette guide - Paper cassette support guide
 NO LONGER SUPPLIED

231 RF5-1079-000CN Right cassette guide (L-shaped)

Laser/Scanner

232 C2001-69006 Laser/scanner assembly
 REQUIRES RETURN OF DEFECTIVE PART

RG5-0449-000CN *New Part for C2001-69006*

Lever

233 RB1-2138-000CN Top cover interlock lever

Panel

234 RF5-0355-000CN I/O panel plate (Sheet metal) - Has cutouts for I/O boards
 NO LONGER SUPPLIED

Shield

235 RF5-0471-000CN Formatter RFI shield
 NO LONGER SUPPLIED

Other Internal Parts**Shutter**

236 RB1-2080-000CN Laser shutter - Attaches to bottom of laser/scanner assembly

Support

237 RB1-2105-030CN Toner cartridge support - Black plastic bar that attaches above the toner cartridge

Paper Path Parts**Arm**

238 RB1-2133-000CN 'Paper out' sensor arm

Base

239 RG5-0467-060CN Tray 1 base assembly - Attachment point for MP input tray

Belt

240 XF9-0410-000CN Timing belt

Brush

241 RB1-2237-020CN Brush - Static eliminating

Cable

242 RG5-0522-000CN Cable assembly - From DC controller to delivery sensor (PS3)

243 RG5-0538-000CN Cable assembly - From DC controller to main motor
NO LONGER SUPPLIED

Gear Assembly

244 RG5-0457-000CN Gear cluster (Drive train) assembly

Guide

245 RB1-2131-000CN Paper guide - Guides paper out of tray 1
NO LONGER SUPPLIED

246 RB1-2236-000CN Feeder guide - Ribbed (Gray) metal plate at top of printer

247 RF5-0532-000CN Upper delivery guide - On top of paper output assembly

248 RG5-0468-000CN Transfer guide assembly - Ribbed paper guide for the high voltage transfer roller (Does NOT include transfer roller)

249 RG5-0469-020CN Transfer guide assembly - Plate between toner cartridge & fuser

Holder

250 RB1-2181-000CN Guide roller holder (U-shaped)

251 RB1-2259-040CN Rear paper holder

252 RF5-0369-040CN Front paper holder

Kit

C2001-67914 Maintenance kit (120V) - Includes multipurpose tray pickup roller, upper & lower cassette pickup rollers, separation pad, transfer roller, and fusing assembly (120V)
NO LONGER SUPPLIED

C2001-69012 Maintenance kit (120V) - Includes multipurpose tray pickup roller, upper & lower cassette pickup rollers, separation pad, transfer roller, and fusing assembly (120V)
REQUIRES RETURN OF DEFECTIVE PART

C2001-67914 New Part for C2001-69012

C2001-69013 Maintenance kit (240V) - Includes multipurpose tray pickup roller, upper & lower cassette pickup rollers, separation pad, transfer roller, and fusing assembly (240V)
NO LONGER SUPPLIED

Motor

256 RH7-1152-000CN Main motor assembly

257 RH7-1197-000CN Paper pickup motor

Paper Path Parts**PC Board**

261 RG5-0514-000CN Sensor board - Narrow board w/ sensors

Pad

258 RF5-0343-000CN Separation pad (Rectangular) - For multipurpose tray input

Paper Output Unit

259 RG5-0456-180CN Paper output assembly - Belt driven
NO LONGER SUPPLIED

Paper Pick-Up

260 C2001-69005 Paper pickup (Feeder) assembly (Motor driven)
NO LONGER SUPPLIED

Roller

262 RB1-2126-000CN Pickup roller (Quarter circle shaped) - For upper cassette
263 RB1-2127-000CN Pickup roller (Oval shaped) - For multipurpose tray
264 RB1-2182-000CN Guide roller - In center of paper feed assembly
265 RB1-2253-000CN Guide roller - Fits on paper guide
266 RB1-2299-030CN Delivery roller - Double roller in paper output assembly
267 RF5-0349-000CN Transfer roller - Goes in paper guide/hv contact plate assembly
268 RF5-1077-030CN Lower delivery roller - Shaft with 4 double rollers on it
269 RF9-1326-000CN Upper delivery roller - Shaft with 7 rollers on it

Roller/Holder

270 RF5-0425-040CN Output roller & holder
271 RF5-0747-000CN Roller

Sensor

272 RG5-0466-000CN Leading edge registration sensor and PC paper out sensor
273 RG5-0475-060CN Paper exit (Delivery) sensor assembly
274 WG8-0291-000CN Photo sensor

Solenoid

275 RH7-5071-000CN Pickup solenoid (SL1) - For the paper cassette paper pickup (feed) roller
276 RH7-5075-000CN Pickup solenoid (SL2) - For multipurpose tray pickup roller

Spring

277 RB1-2302-000CN Delivery roller spring (U-shaped)
278 RS5-2185-000CN Spring - For delivery roller holder in paper output
NO LONGER SUPPLIED

Paper Pick-up Assembly**Kit**

C2001-67914 Maintenance kit (120V) - Includes multipurpose tray pickup roller, upper & lower cassette pickup rollers, separation pad, transfer roller, and fusing assembly (120V)
NO LONGER SUPPLIED

Paper Pickup Assembly**Kit**

C2001-67914 Maintenance kit (120V) - Includes multipurpose tray pickup roller, upper & lower cassette pickup rollers, separation pad, transfer roller, and fusing assembly (120V)
NO LONGER SUPPLIED

Power Supplies and Parts**Base**

281 RB1-2118-000CN Base structure - For the power switch actuator assembly - Does NOT include the power switch
NO LONGER SUPPLIED

Button

282 RB1-2119-000CN Power switch button (Rocker)
NO LONGER SUPPLIED

Cable

283 RG5-0526-000CN Cable assembly - From DC controller to AC power supply

Power Cord

8120-1351 Power cord (Mint Gray) - 17 AWG, 2.3m (7.5ft) long - Has straight (F) receptacle (For 240V in the UK, Hong Kong, Singapore, Malaysia, and Brunei)

8120-1369 Power cord (Mint Gray) - 17 AWG, 2.0m (6.6ft) long - Has straight (F) receptacle (For 240V in Australia, New Zealand, and China)

8120-1378 Power cord (Jade Gray) - 18 AWG, 2.3m (7.5ft) long - Has straight (F) receptacle (For 120V in USA, Canada, Latin America, Korea, Taiwan, Thailand, Spain, Brazil, and Vietnam)

8120-1689 Power cord (Mint Gray) - 17 AWG, 2.0m (6.6ft) long - Has straight (F) receptacle (For 220V in Europe, Bangladesh, Indonesia, Pakistan, Burma, Sri Lanka, and Vietnam)

8120-2104 Power cord (Mint Gray) - 2.0m (6.6ft) long - Has straight (F) receptacle (For 220V in Switzerland)

8120-2956 Power cord (Mint Gray) - 2.0m (6.6ft) long - Has straight (F) receptacle (For 220V in Denmark)

8120-4211 Power cord (Mint Gray) - 17 AWG, 2.0m (6.6ft) long - Has straight (F) receptacle (For 240V in South Africa and India)

Power Supply

291 C2001-69007 Power supply assembly - 100/120VAC
NO LONGER SUPPLIED

292 C2001-69008 Power supply assembly - 220/240VAC
NO LONGER SUPPLIED

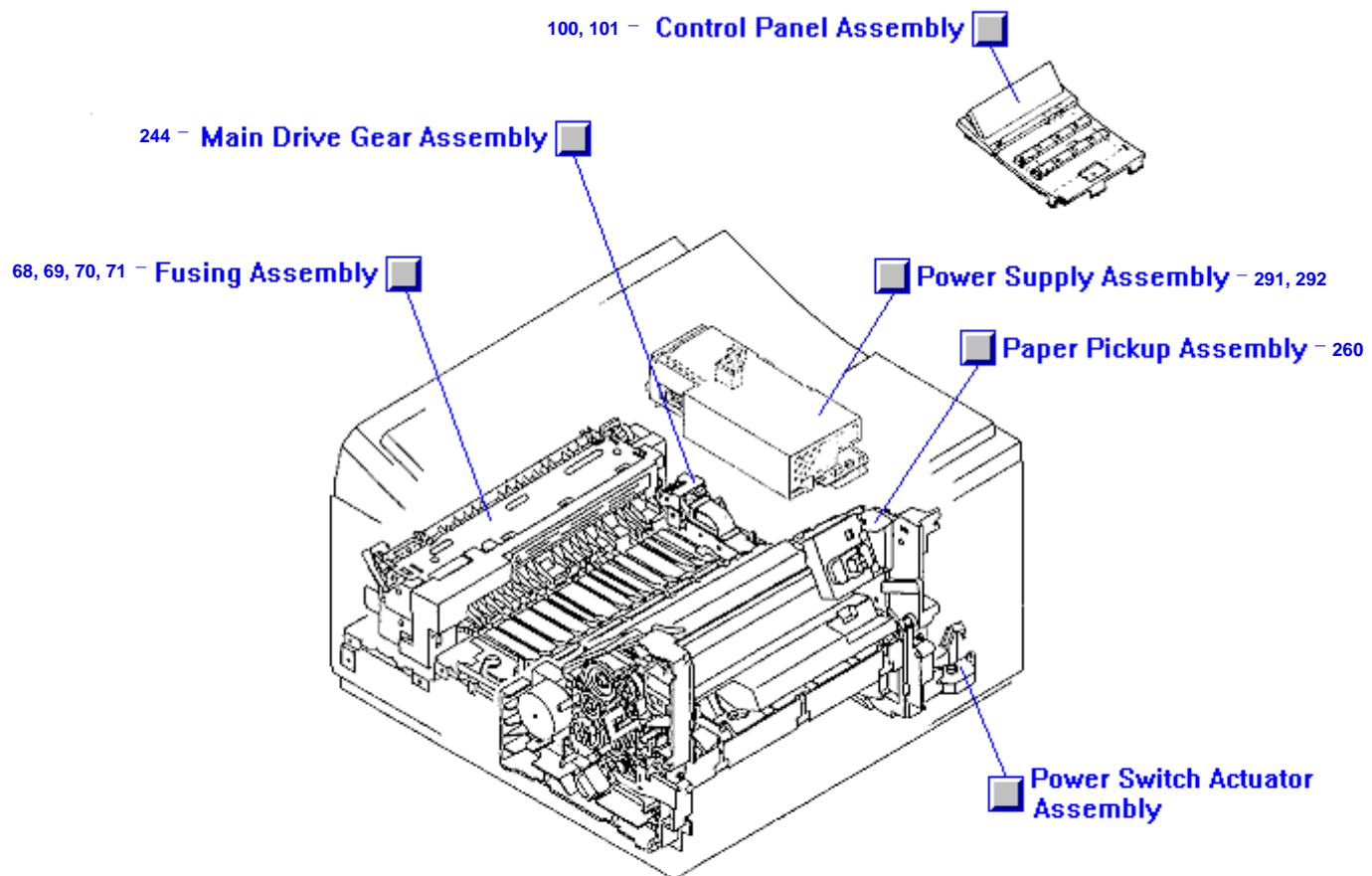
293 RG5-0513-000CN High voltage power supply assembly PCA

Rod

294 RB1-2352-000CN Power switch rod - From main switch assembly to power supply

Main Assembly Locator (1 of 2)

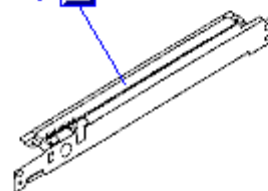
2 of 2 →



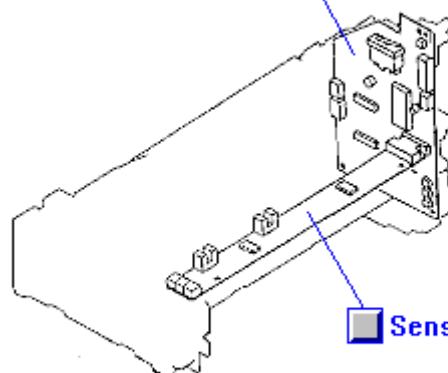
249 - Transfer Guide Assembly



293



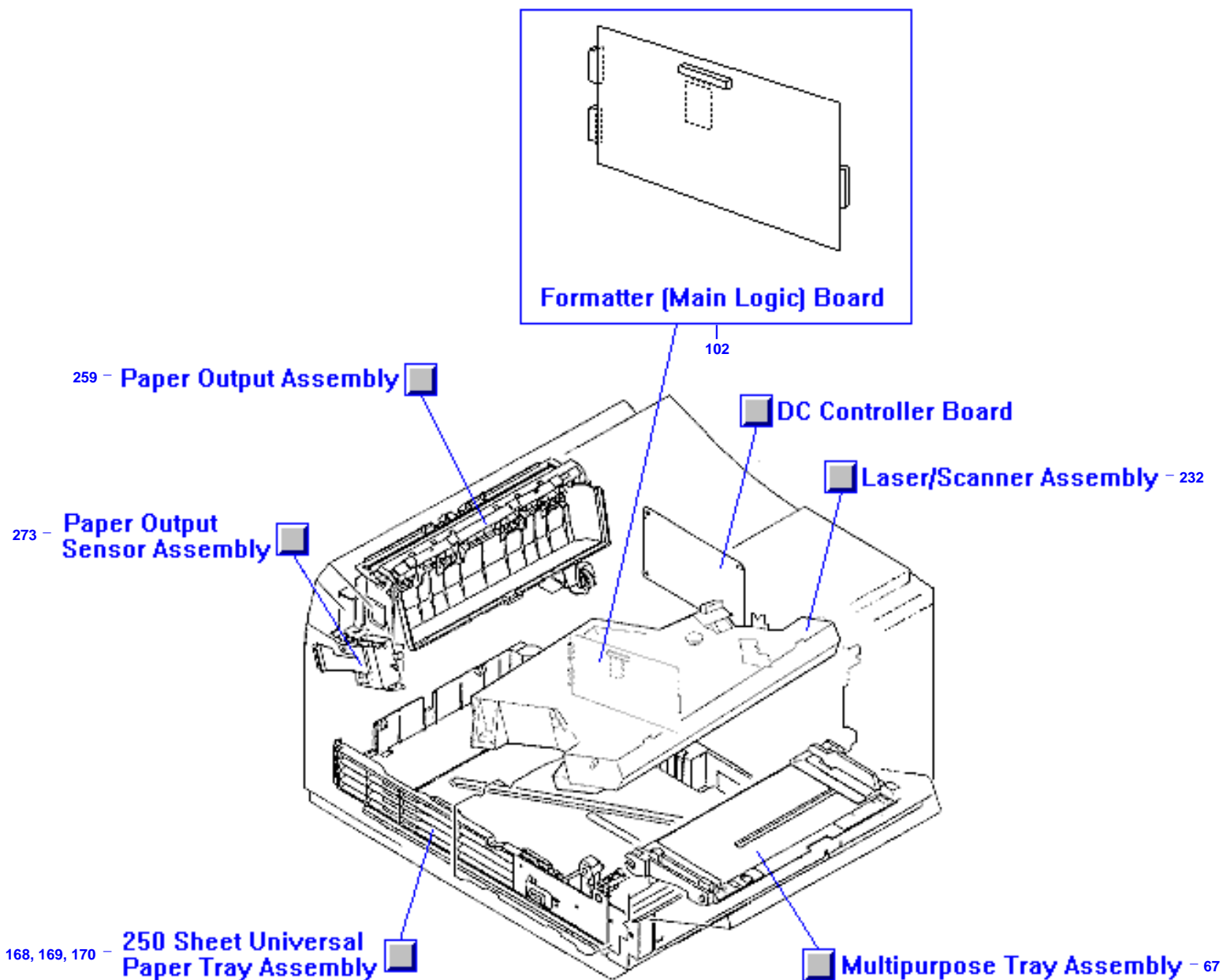
Paper Control Board - 104



Sensor Board - 261

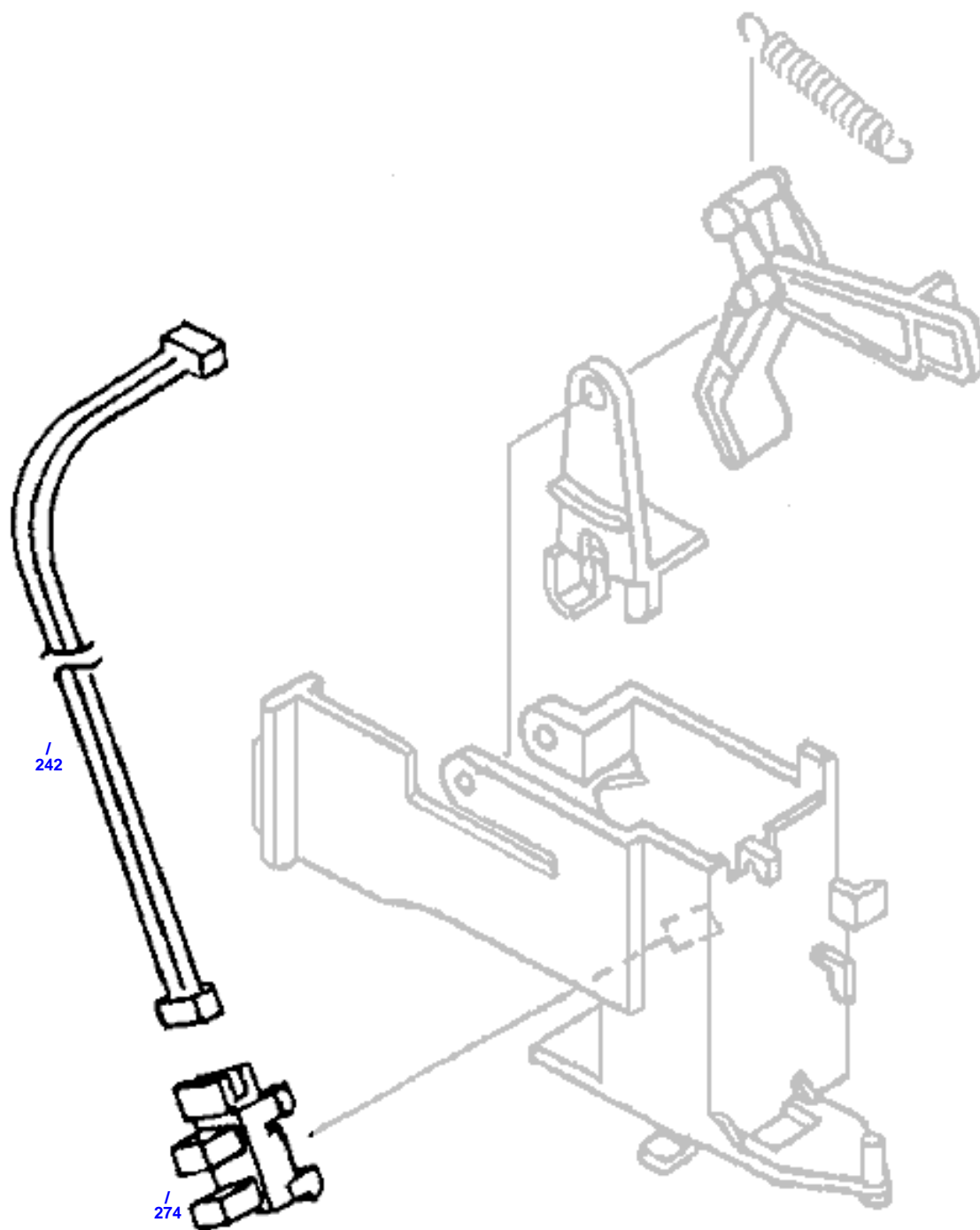
Main Assembly Locator (2 of 2)

← 1 of 2

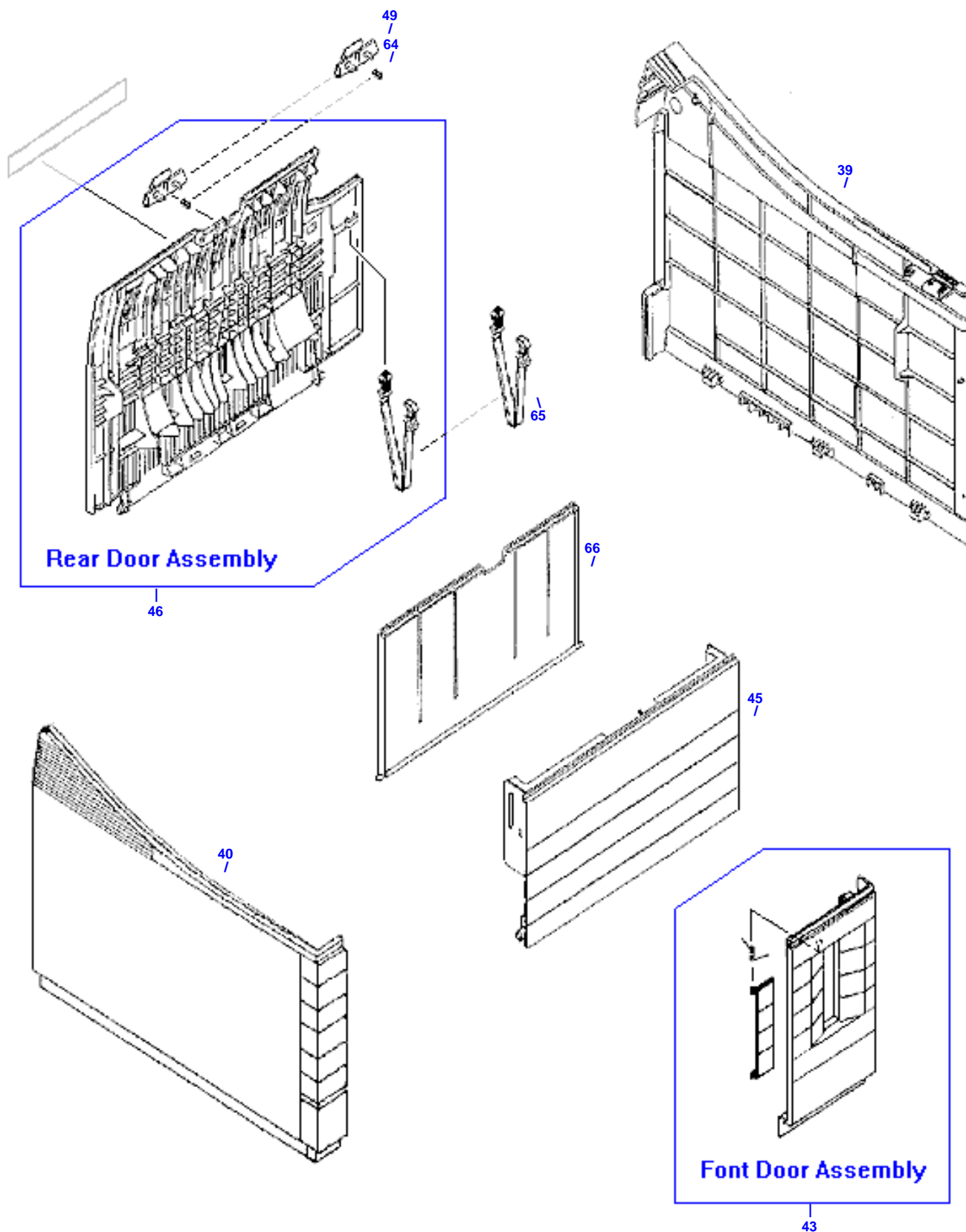


Delivery Sensor Assembly

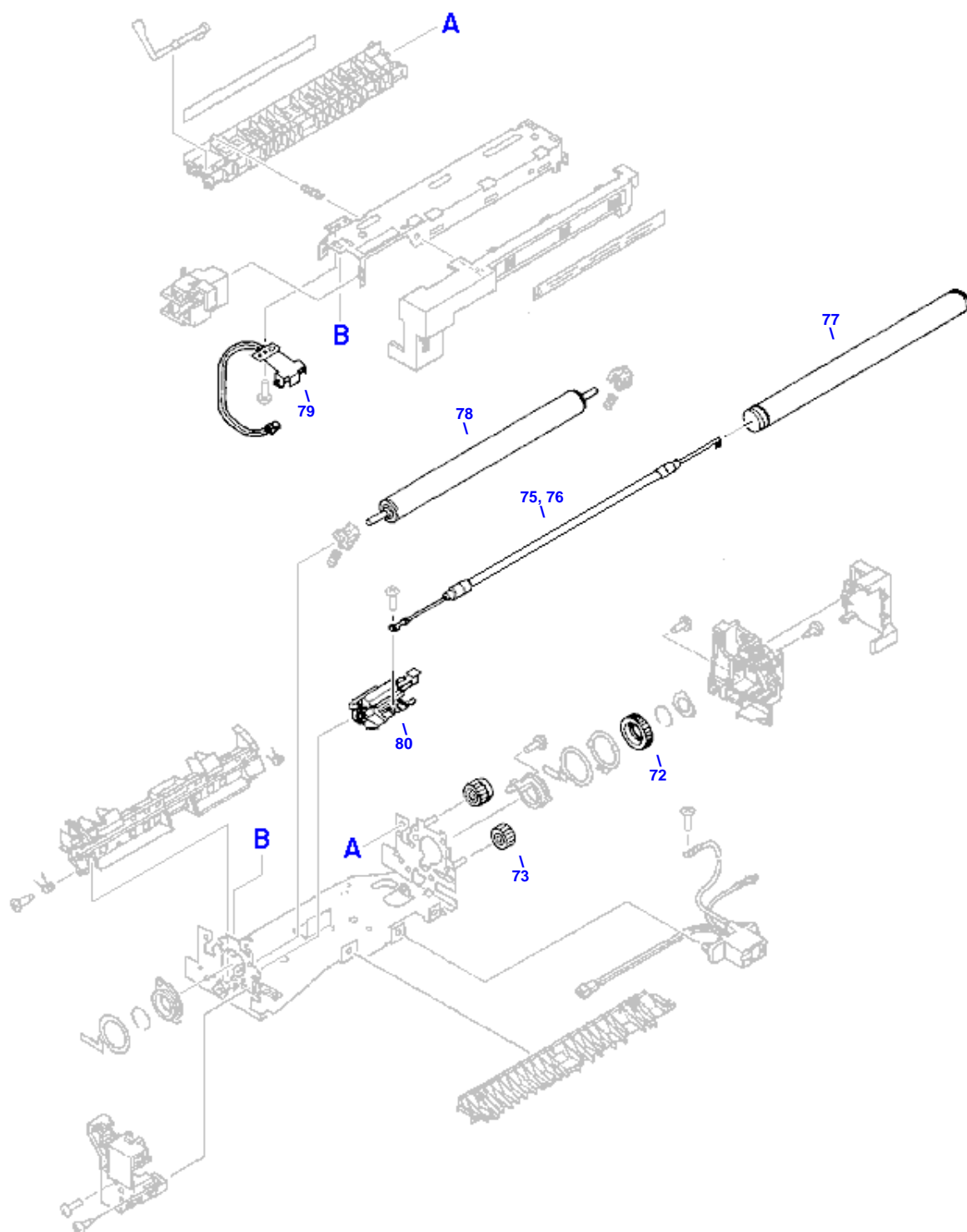
273 -  Delivery Sensor Assembly

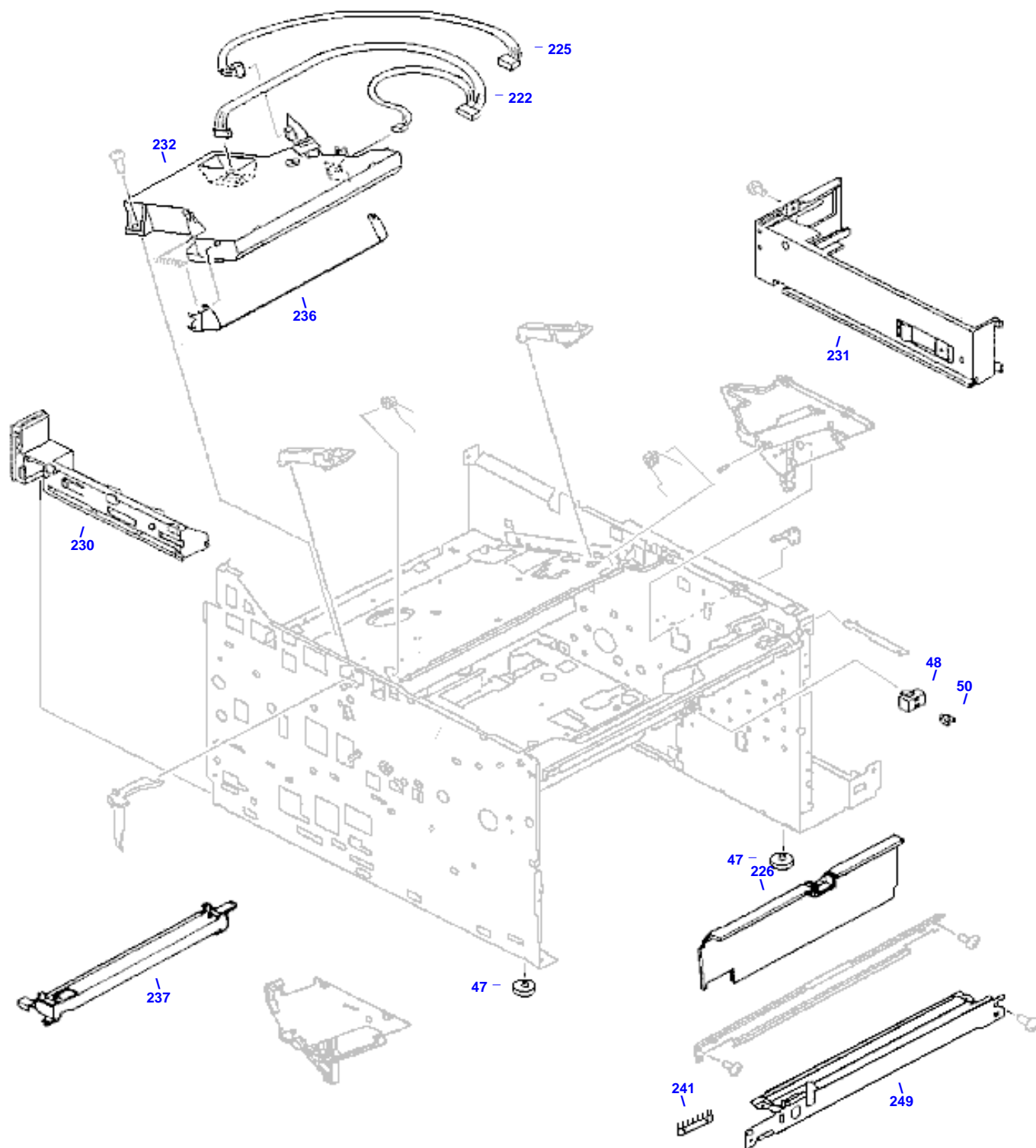


External Covers and Panels



Fusing Assembly

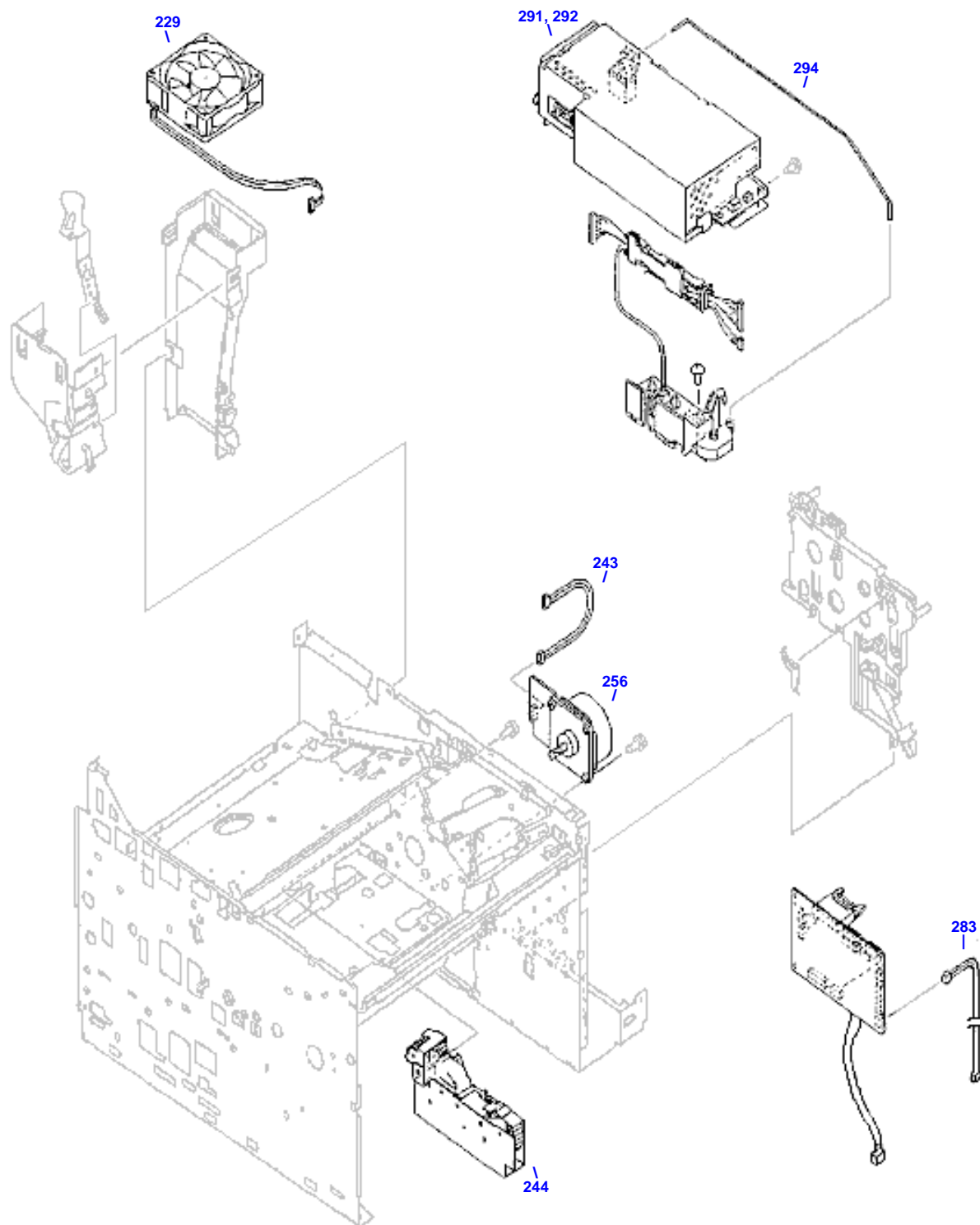
68, 69, 70, 71 -  Fusing Assembly



Internal Components (2 of 4)

← 1 of 4

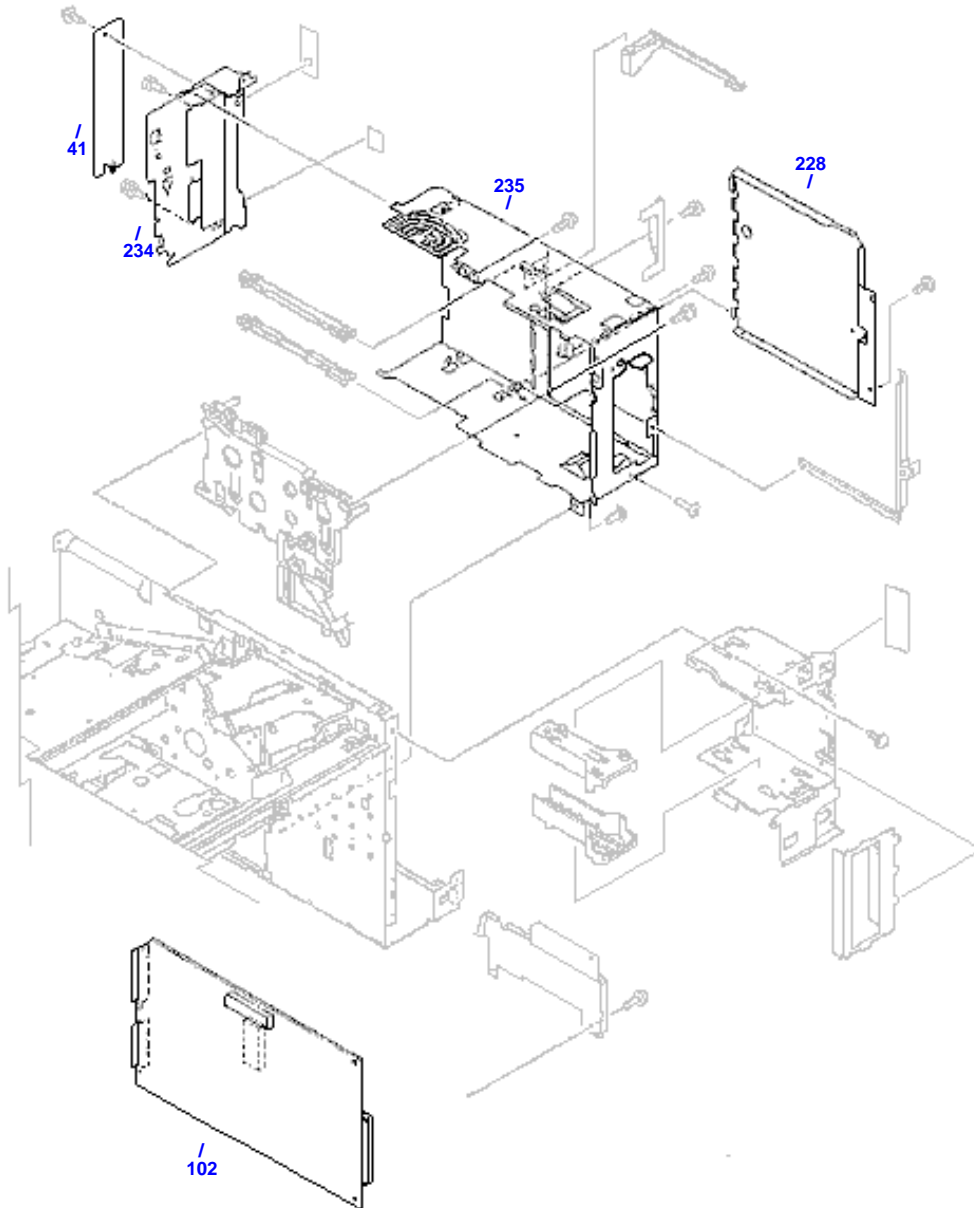
3 of 4 →

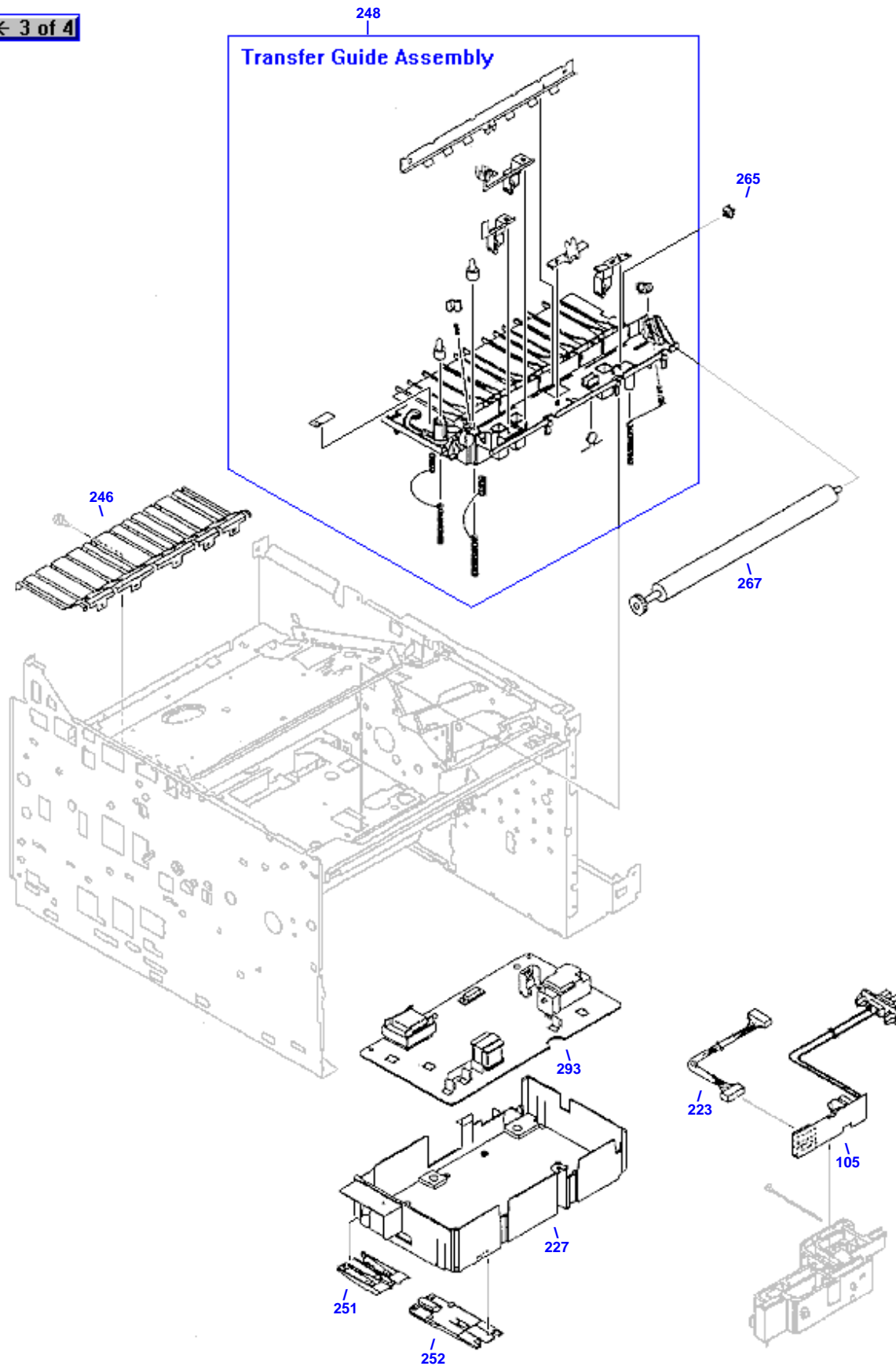


Internal Components (3 of 4)

← 2 of 4

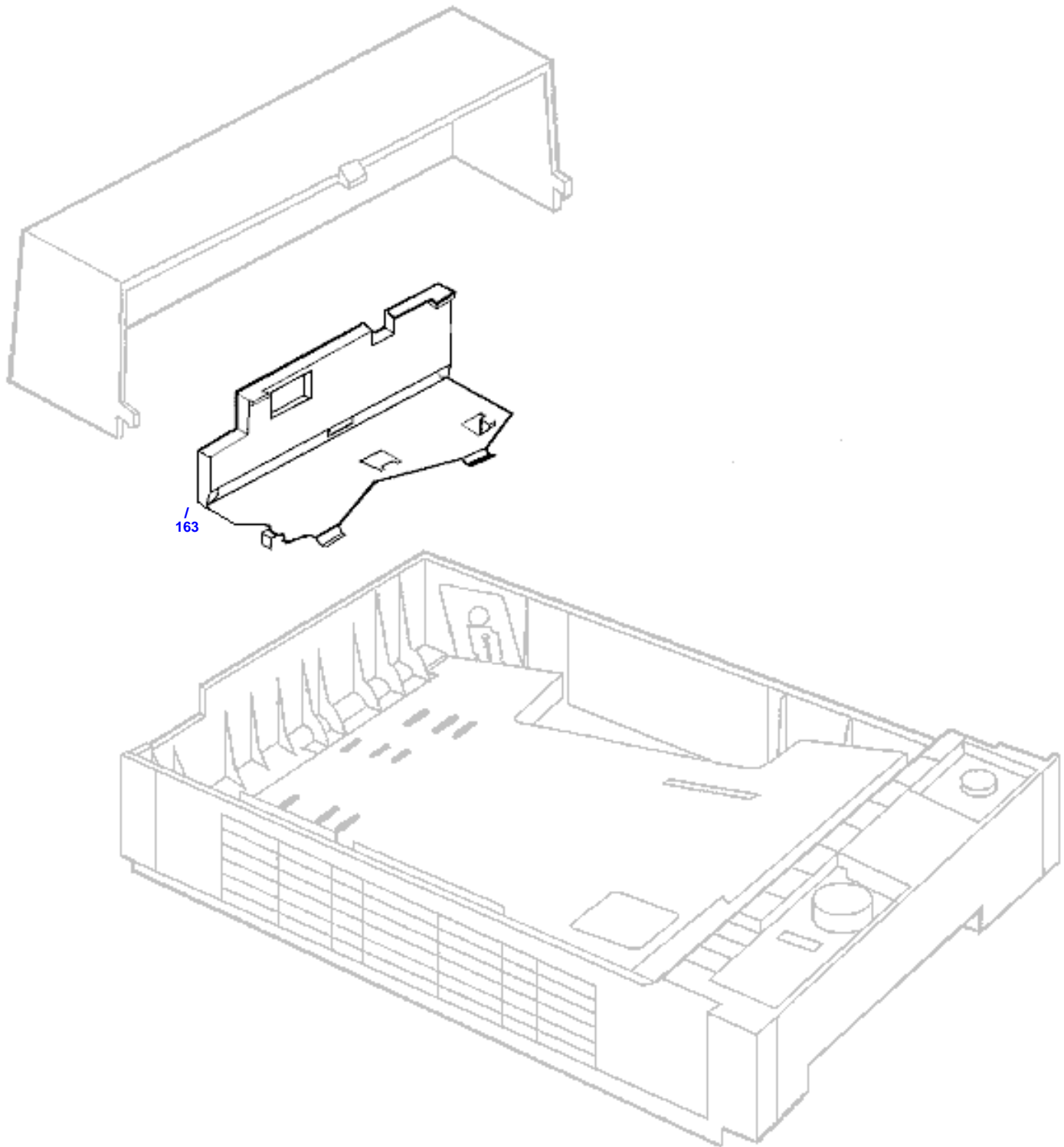
4 of 4 →



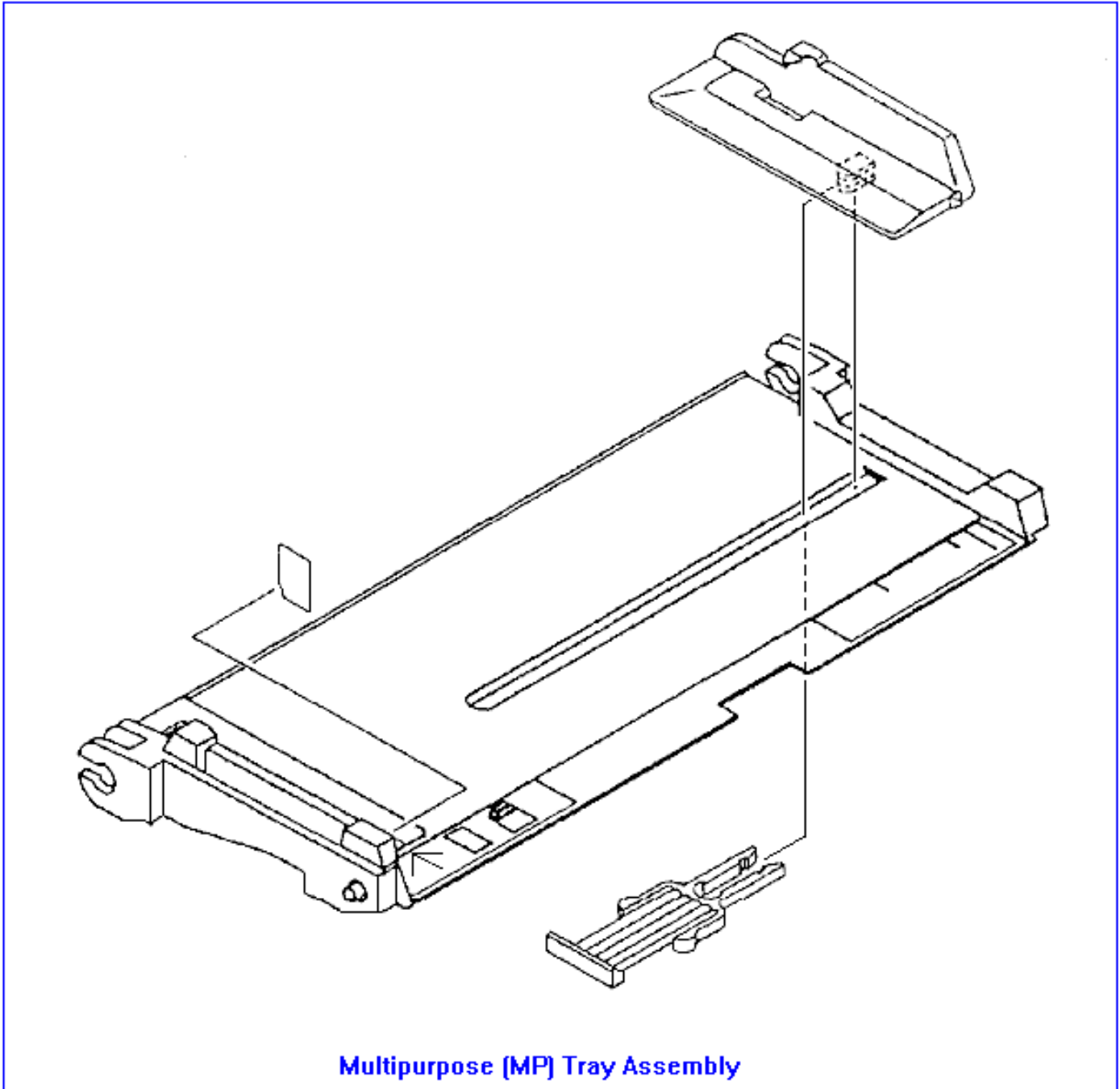
Internal Components (4 of 4)**← 3 of 4**

Lower Cassette Tray Assembly

165, 166, 167 -  Lower Cassette Tray Assembly

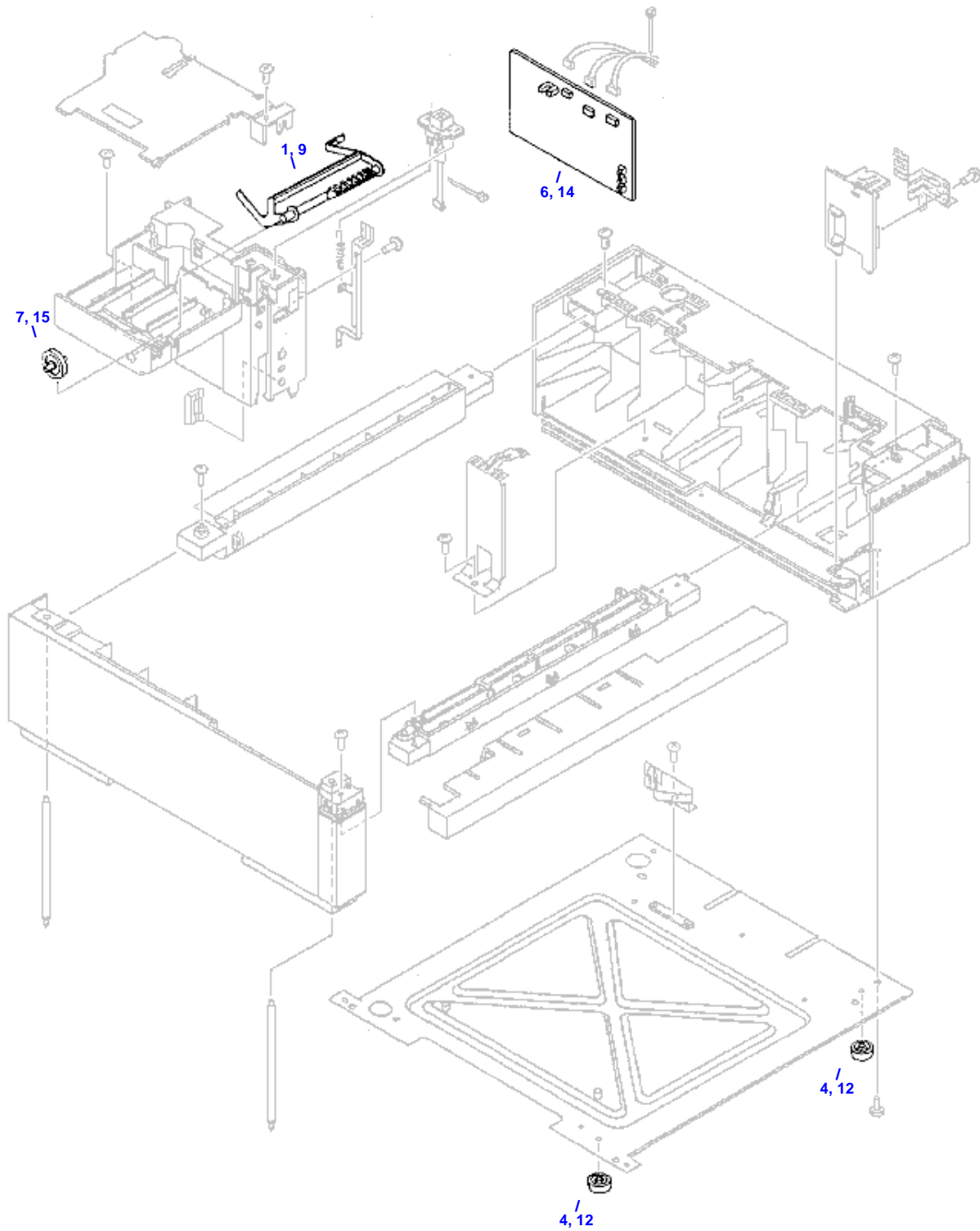


Multipurpose (MP) Tray Assembly

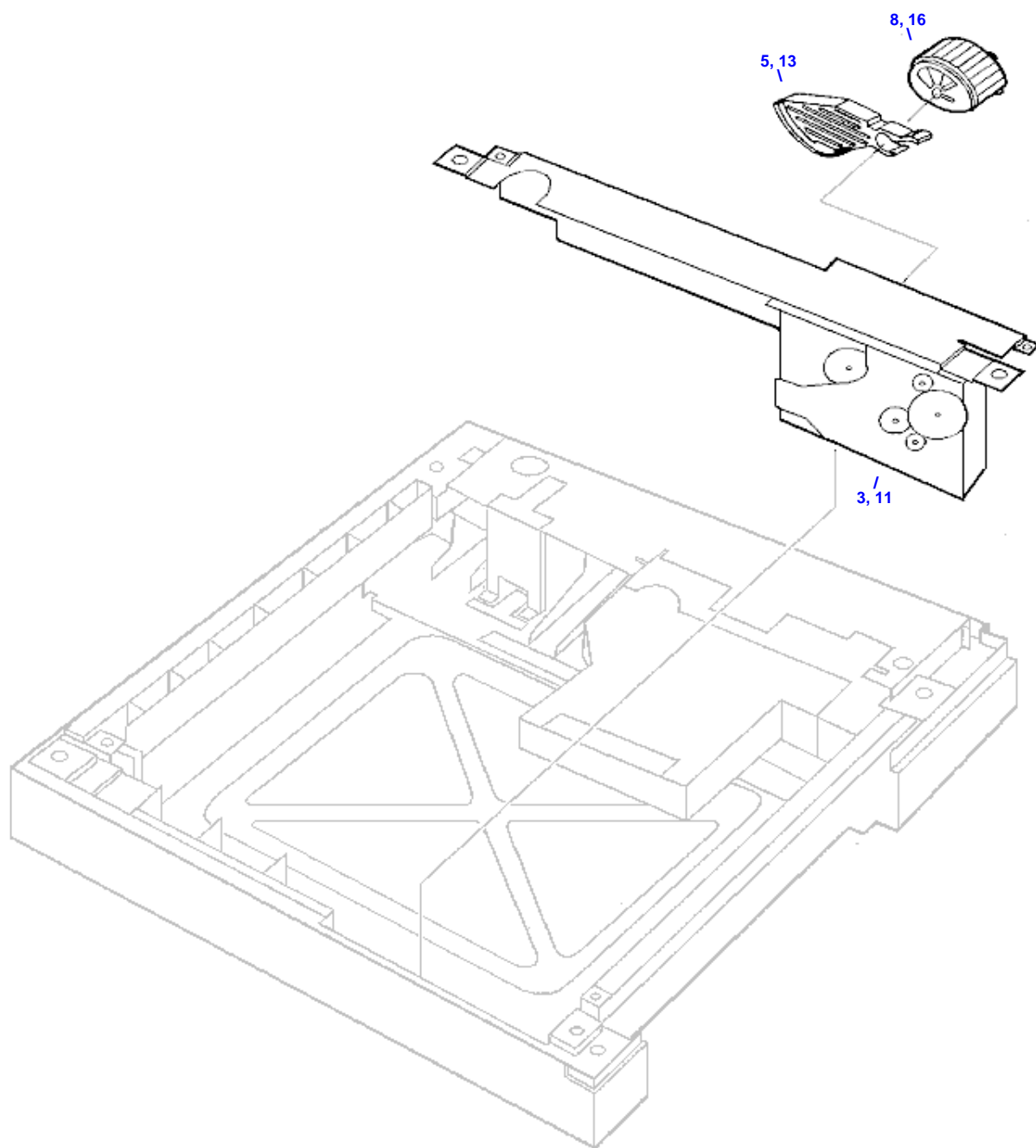


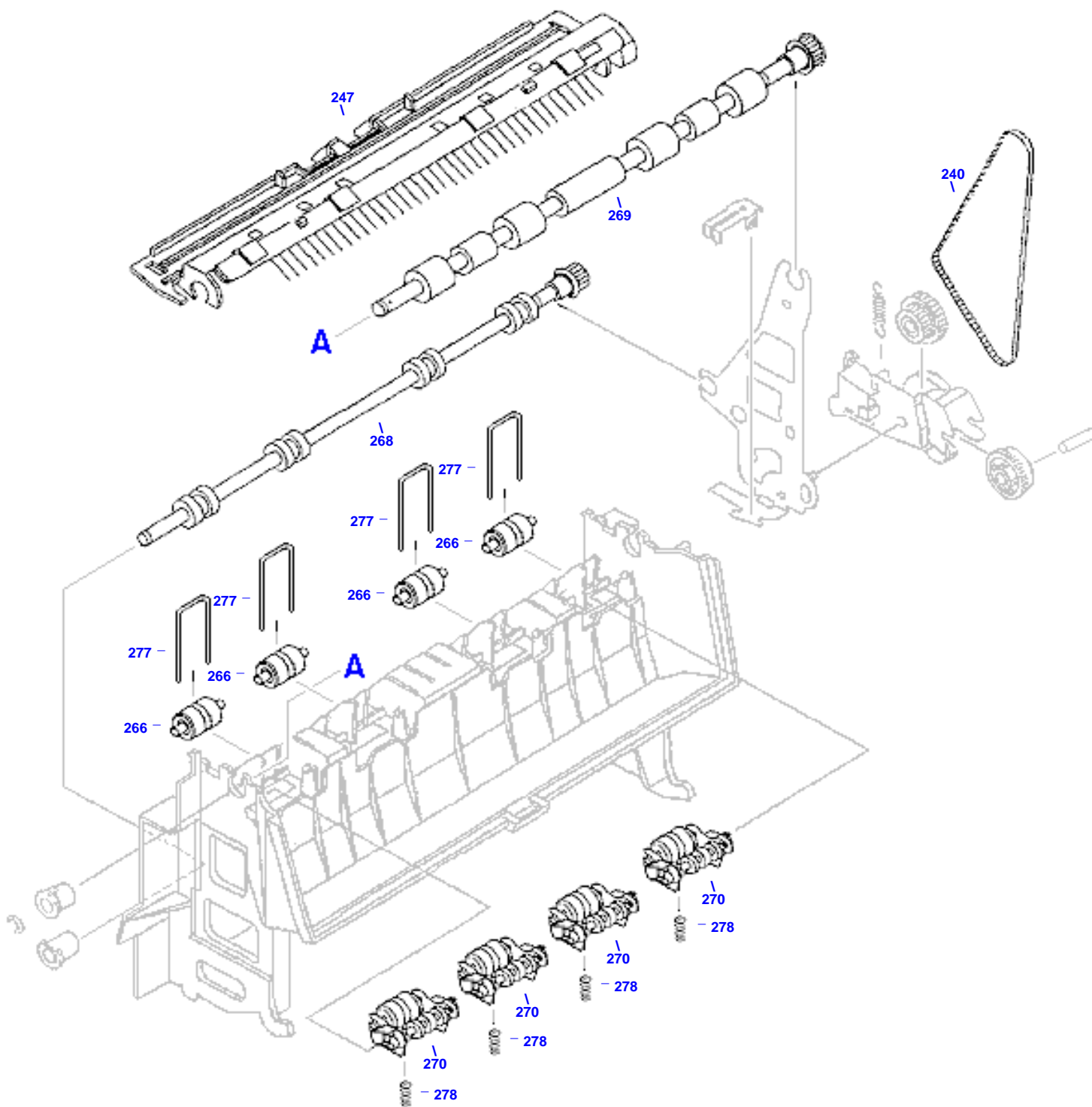
Multipurpose (MP) Tray Assembly

Optional Lower Cassette Base Assembly



Optional Lower Cassette Base Drive Assembly



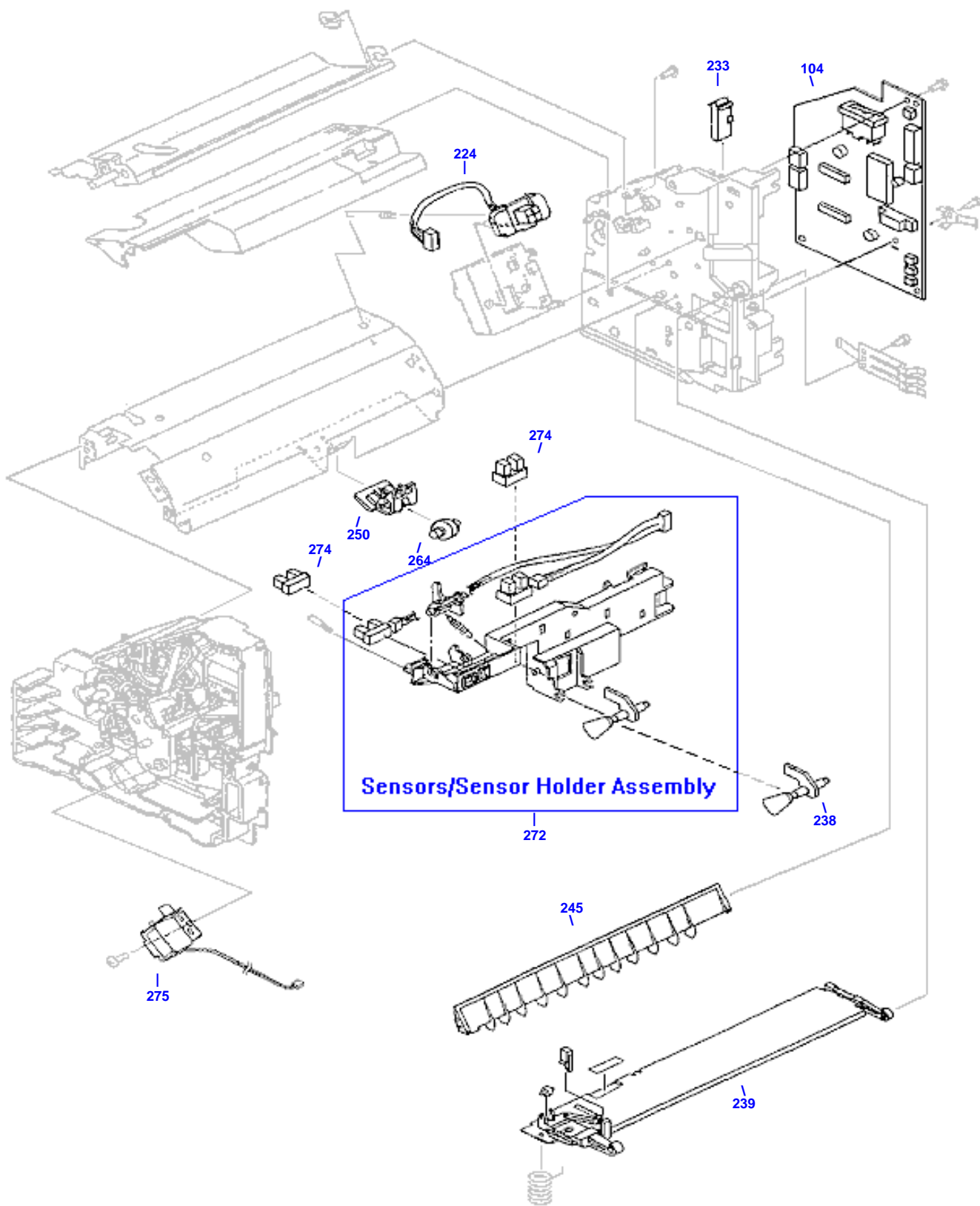
Paper Output Assembly259 -  **Paper Output Assembly**



Paper Pickup Assembly (1 of 2)

260 -  Paper Pickup Assembly

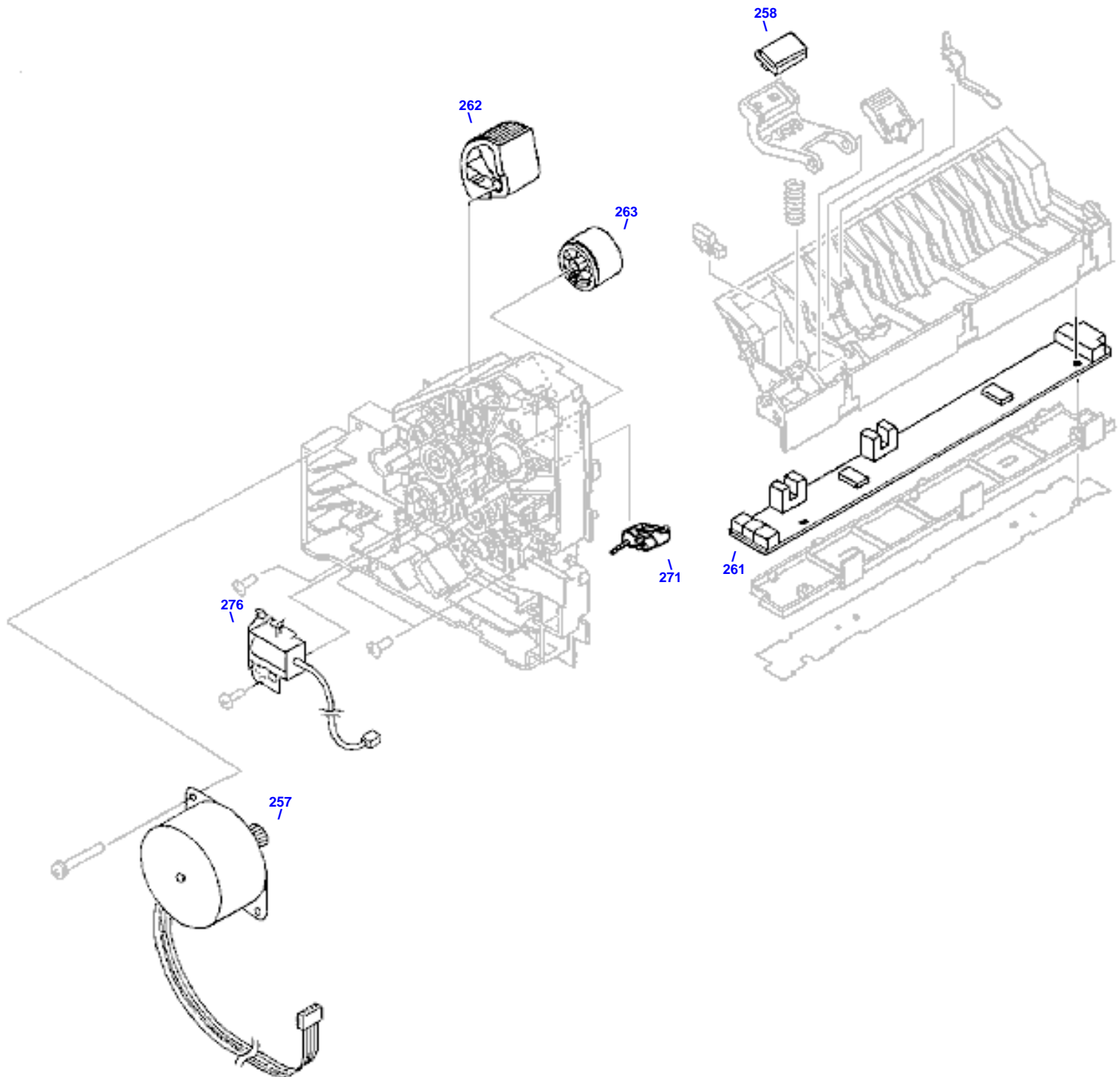
2 of 2 →



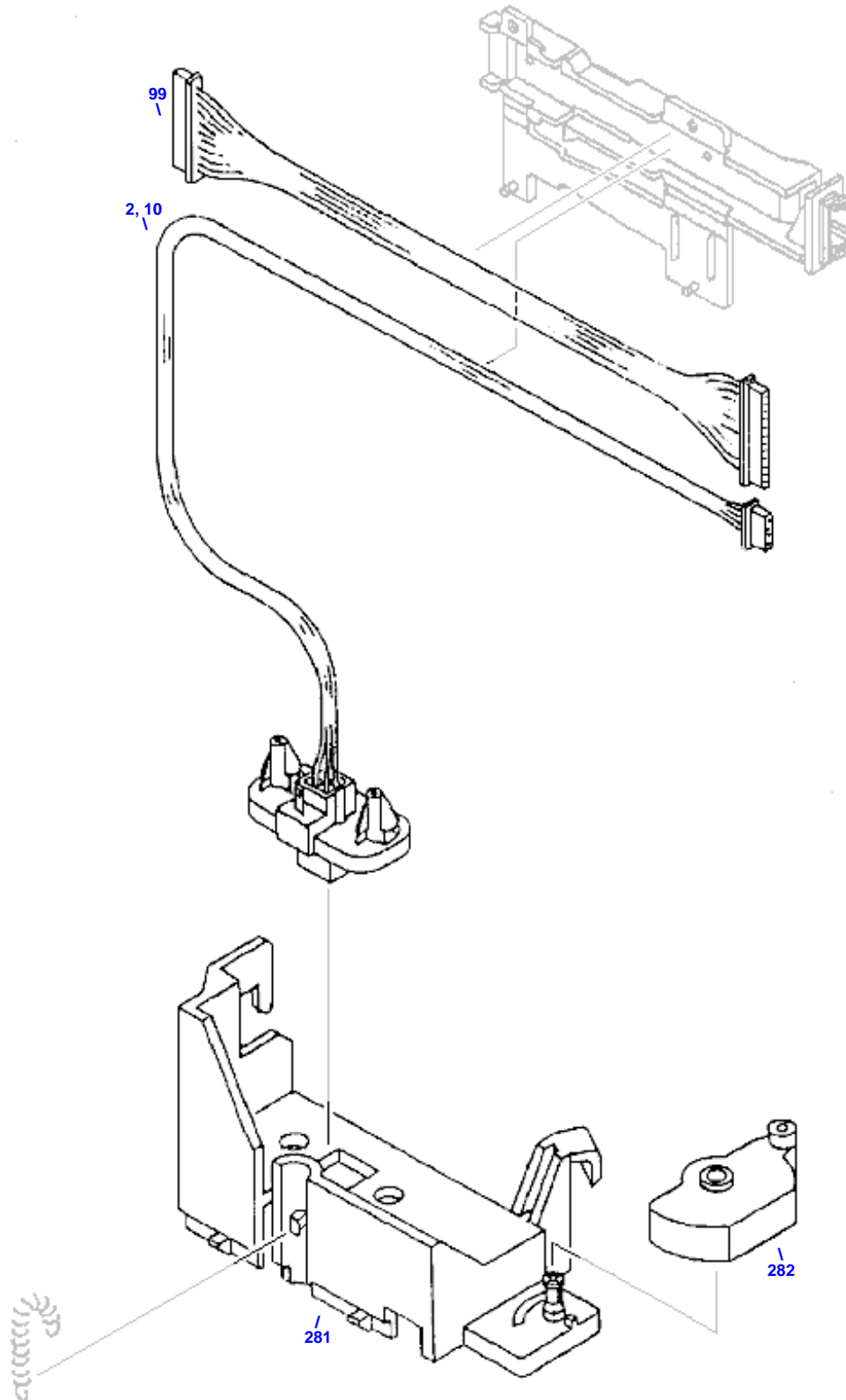
Paper Pickup Assembly (2 of 2)

← 1 of 2

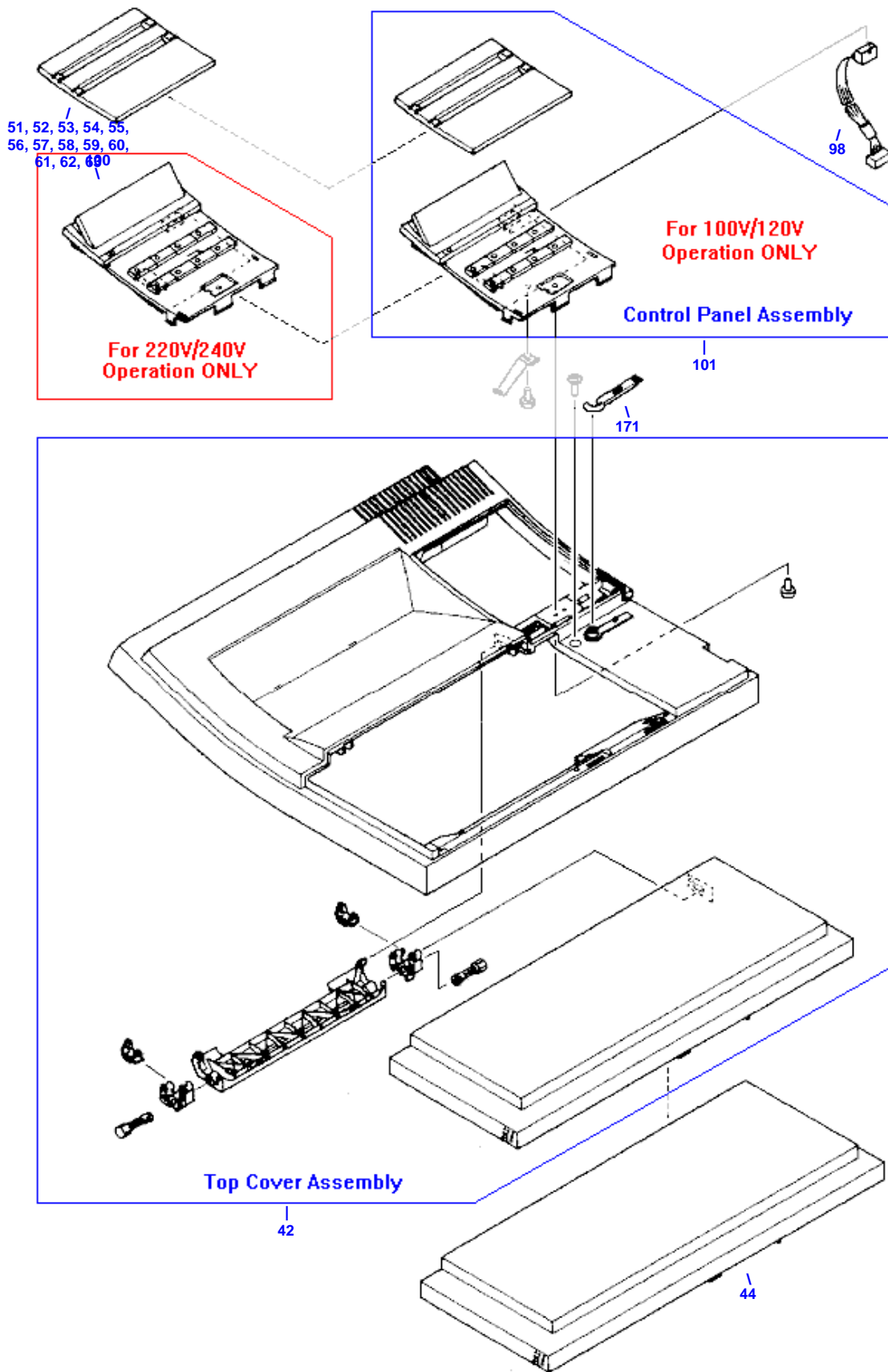
260  Paper Pickup Assembly



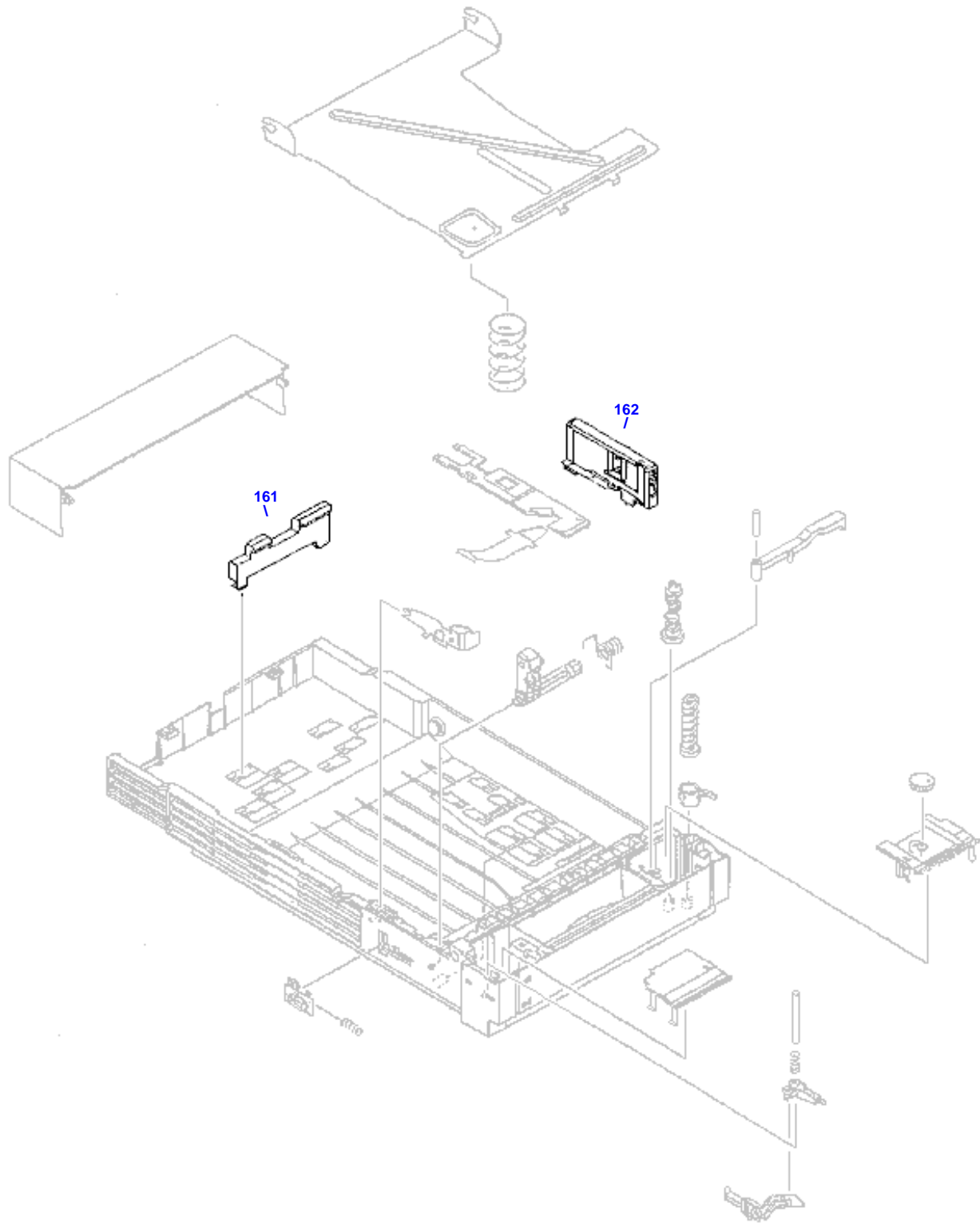
Power Switch Actuator Assembly



Top Cover Assembly



Universal Paper Tray

168, 169, 170 -  Universal Paper Tray



HP Parts Reference Guide

<http://www.hp.com/go/parts>

HP PartSurfer

<http://partsurfer.hp.com>

HP Parts Ordering Information

<http://www.hp.com/go/hpparts>

HP Parts Questions/Comments

<http://partsurfer.hp.com/contactus.htm>