

C3760A Lower Cassette**Cover**

C3760-40002 Rear cover

Frame

C3760-40000 Left side frame

C3760-40001 Right side frame

Guide

C3760-60504 Paper guide/clip - For optional lower cassette

Lower CassetteC3760-69001 Replacement optional lower cassette - Does include 500 sheet universal paper tray
REQUIRES RETURN OF DEFECTIVE PARTC3760-60001 *New Part for C3760-69001*C3760A Optional lower cassette - Adds third paper input source - Includes 500 sheet universal paper tray
NO LONGER SUPPLIED**PC Board**

C3760-60507 Controller board

Roller

C3760-60506 Pickup roller - Includes roller paper guide/clip and instructions

Tray

C3760-60502 500 sheet universal paper tray - For optional lower cassette

Electronic Accessories**Cable (Interface)**

24540-80010 Centronics (parallel) cable - 36 pin (M) to 25 pin (M) - 2.0m (6.6ft) long

5063-1256 IEEE-1284 Bi-Tronics parallel cable - DB-25 (M) connector (type A) to 36 pin Centronics (M) connector (type B) - 2.0m (6.6ft) long

5063-1257 IEEE-1284 Bi-Tronics parallel cable - DB-25 (M) connector (type A) to 36 pin Centronics (M) connector (type B) - 3.0m (9.8ft) long

92215N Interface cable kit - For HP peripherals designed for use in an AppleTalk/Phonenet network - Not for Macintosh models that have recessed I/O connectors

C2950A IEEE-1284 Bi-Tronics parallel cable - DB-25 (M) connector (type A) to 36 pin Centronics (M) connector (type B) - 2.0m (6.6ft) long

5063-1256 *New Part for C2950A*

C2951A IEEE-1284 Bi-Tronics parallel cable - DB-25 (M) connector (type A) to 36 pin Centronics (M) connector (type B) - 3.0m (9.8ft) long

C2990A IEEE-1284 Bi-Tronics parallel cable - DB-25 (M) (type A) to 36 pin (M) Centronics (type B) - 1.8m (6ft) long
NO LONGER SUPPLIEDC2991A IEEE-1284 Bi-Tronics parallel cable - DB-25 (M) (type A) to 36 pin (M) Centronics (type B) - 3.0m (10ft) long
NO LONGER SUPPLIED**Drive**C3295-60101 42MB hard disk drive
NO LONGER SUPPLIED**Drive (Product)**C3295A 42MB hard disk drive
NO LONGER SUPPLIED**Memory (Product)**C3131A 2MB, 70nS, 36-bit SIMM memory module - For HP LaserJet 4P, 4+, 4V, 5, 5N, 5M, 5P, 5Si
NO LONGER SUPPLIEDC3146-67901 *New Part for C3131A*C3132A 4MB, 70nS, 36-bit SIMM memory module - For HP LaserJet 4P, 4+, 4V, 5, 5N, 5M, 5P, 5Si
NO LONGER SUPPLIEDC3146-67901 *New Part for C3132A*

Electronic Accessories**Memory (Product)**

C3133A	8MB, 70nS, 36-bit SIMM memory module - For HP LaserJet 4P, 4+, 4V, 5, 5N, 5M, 5P, 5Si NO LONGER SUPPLIED
C3146-67901	<i>New Part for C3133A</i>

Memory (SIMM)

C2747-69501	16MB SIMM memory module REQUIRES RETURN OF DEFECTIVE PART
1818-5621	<i>New Part for C2747-69501</i>
C3130-60001	1MB, 32-bit SIMM memory module
C3131-67901	2MB, 32-bit SIMM memory module NO LONGER SUPPLIED
C3146-67901	<i>New Part for C3131-67901</i>
C3132-67901	4MB, 70nS, 36-bit parity SIMM memory module NO LONGER SUPPLIED
C3146-67901	<i>New Part for C3132-67901</i>
C3133-67901	8MB, 70nS, 36-bit parity SIMM memory module NO LONGER SUPPLIED
C3146-67901	<i>New Part for C3133-67901</i>
C3146-67901	16MB SIMM memory module

PostScript

C3159-69001	Adobe's PostScript (Level 2) SIMM module - Includes 35 scalable typefaces REQUIRES RETURN OF DEFECTIVE PART
C3159-67901	<i>New Part for C3159-69001</i>
C3159A	Adobe's pPostScript (Level 2) SIMM module - Includes 35 scalable typefaces NO LONGER SUPPLIED

External Case Parts**Cover**

31	RB1-5562-000CN	Rear cover
32	RB1-5563-000CN	Left side cover - Has vent for exhaust fan
33	RB1-5575-000CN	Rear cassette cover
34	RF5-1166-000CN	Right side cover - Has cut-out for power switch
35	RF5-1176-000CN	Cover plate
36	RG5-1541-000CN	Main top cover

Door

37	RF5-1165-000CN	Main front door that is attached to the multipurpose input tray
----	----------------	---

Foot

38	RG5-1550-000CN	Right foot assembly
39	RG5-1551-000CN	Left foot assembly

Overlay

40	C3141-40001	Control panel overlay (English)
41	C3141-40003	Control panel overlay (French)
42	C3141-40004	Control panel overlay (Italian) NO LONGER SUPPLIED
43	C3141-40005	Control panel overlay (German)
44	C3141-40006	Control panel overlay (Spanish)
45	C3141-40007	Control panel overlay (Norwegian) NO LONGER SUPPLIED

External Case Parts**Overlay**

46	C3141-40008	Control panel overlay (Swedish)
47	C3141-40009	Control panel overlay (Danish)
48	C3141-40010	Control panel overlay (Finnish)
49	C3141-40011	Control panel overlay (Dutch)
50	C3141-40012	Control panel overlay (Polish) NO LONGER SUPPLIED
51	C3141-40013	Control panel overlay (Turkish) NO LONGER SUPPLIED
52	C3141-40014	Control panel overlay (Portuguese) NO LONGER SUPPLIED
53	C3141-40015	Control panel overlay (Simplified Chinese)
54	C3141-40016	Control panel overlay (Traditional Chinese) NO LONGER SUPPLIED
55	C3141-40017	Control panel overlay (Korean)
56	C3141-40019	Control panel overlay (Japanese) NO LONGER SUPPLIED

Pin

57	RA2-0448-000CN	Front door (Right side) hinge pin - Transparent in color
58	RB1-1291-000CN	Front door (Left side) hinge pin - Opaque in color

Stop

59	RF5-1173-000CN	Adjustable paper stop for top cover
----	----------------	-------------------------------------

Tray

60	RG5-1562-000CN	Multi-Purpose input tray - Fold down front tray
----	----------------	---

Fusing Assembly Parts**Fusing Assembly**

61	5182-2803	Fusing assembly (240V, 50Hz) - Bonds toner to paper by heat - In quantity price break packaging (Contains 5 New fusing assemblies) NO LONGER SUPPLIED
62	5182-2804	Fusing assembly (240V, 50Hz) - Bonds toner to paper by heat - In quantity price break packaging (Contains 10 New fusing assemblies)
63	C3141-69001	Fusing assembly (240V, 50Hz) - Bonds toner to paper by heat REQUIRES RETURN OF DEFECTIVE PART <i>RG5-1558-190CN</i> <i>New Part for C3141-69001</i>
64	C3141-69002	Fusing assembly (120V, 60Hz) - Bonds toner to paper by heat REQUIRES RETURN OF DEFECTIVE PART <i>RG5-1557-190CN</i> <i>New Part for C3141-69002</i>

Logic/Control Electronics**Cable**

65	RG5-0239-000CN	Cable - From DC controller board to cassette size sensor board and front cover connect board
66	RG5-1442-000CN	Cable assembly - 4 pin (F) connector to 3 pin (F) connector - 31.1cm (12.3 inches) long
67	RG5-1447-000CN	Cable - From DC controller board to registration and cassette paper pick-up clutches
68	RG5-1485-000CN	Cable - From control panel to interface board

Control Panel

69	RG5-1539-000CN	Control panel assembly (100/120V) - Includes display and keypad
70	RH6-0098-000CN	Control panel assembly (220/240V) - Includes display and keypad

Logic/Control Electronics

Interface (Product)

J2552B LAN & LocalTalk interface - Has EtherTwist (10Base-T) , ThinLAN (10Base-2) , and LocalTalk (DIN-8) connectors
NO LONGER SUPPLIED

Laser/Scanner

72 C3141-69012 Laser/scanner assembly - Includes scanner motor, laser driver board, and BDIC board
REQUIRES RETURN OF DEFECTIVE PART

RG5-2041-050CN *New Part for C3141-69012*

PC Board

73 C3143-69001 Main logic (Formatter) board - Includes interface connector
REQUIRES RETURN OF DEFECTIVE PART

C3143-67901 *New Part for C3143-69001*

74 RG5-0231-000CN Front cover connect board - Located behind left side of front door - Has delivery unit paper sensor (PS401) and door open sensor (PS402)

75 RG5-1416-000CN Cassette size sensor board - Includes metal tabs & switches

76 RG5-1559-050CN DC controller board

PC Board (Interface)

J2552-69013 LAN and LocalTalk interface - EtherTwist (10Base-T), ThinLAN (10Base-2), and LocalTalk (DIN-8) connectors

78 RG5-1484-020CN Interface board

Optional Interfaces

Interface (Module)

J4101-61011 External JetDirect 300X print server module (10Base-T and 100Base-T) - Connects between printer parallel port and LAN network - Does NOT include power module - (J4101A, J4101B)

Interface (Product)

J2552B LAN & LocalTalk interface - Has EtherTwist (10Base-T) , ThinLAN (10Base-2) , and LocalTalk (DIN-8) connectors
NO LONGER SUPPLIED

J2555B Token ring LAN interface board - DB-9 and RJ-45 connectors
NO LONGER SUPPLIED

J2556B EtherTwist (10Base-T) or 100Base-TX LAN interface board - Has an RJ-45 connector
NO LONGER SUPPLIED

J2590A External JetDirect LAN interface module with RJ-45 connector for EtherTwist (10Base-T) or 100VG/802.12 input and 3 parallel (DB-25) output connectors
NO LONGER SUPPLIED

J2591A External JetDirect LAN interface module and power module - Has EtherTwist (10Base-T) and ThinLAN (10Base-2) connectors
NO LONGER SUPPLIED

J3258B External JetDirect 170X LAN interface module - Interfaces a parallel printer to an ethernet 10Base-T (RJ-45) LAN

J3264A External JetDirect 500X token ring interface module - Interfaces up to 3 parallel printers to a token ring (DB-9 or RJ-45) LAN

J3265A External JetDirect 500X LAN interface module - Interfaces up to 3 parallel printers to an ethernet 10Base-T (RJ-45), 10Base2 (BNC), or 100Base-TX (RJ-45) LAN

J4100A JetDirect 400N modular input/output (MIO) - Internal print server - Provides 10/100Base-T or 10Base-2 network connection using RJ45 or BNC connectors

J4105A JetDirect 400N modular input/output (MIO) internal print server - Provides token ring network connection using RJ45 or DB9 connectors

J4106A JetDirect 400N modular input/output (MIO) internal print server - Provides 10Base-T network connection using RJ45 connector

Module

J2382-69003 External JetDirect LAN interface module with ethertwist (10Base-T) and ThinLAN (10BASE-2) connectors

J2383-61005 External token ring interface module - Has DB-9 connector

J2590-69001 External JetDirect LAN interface module with RJ-45 connector for ethertwist (10Base-T) or 100VG/802.12 input and 3 parallel (DB-25) output connectors
REQUIRES RETURN OF DEFECTIVE PART

J2590-61011 *New Part for J2590-69001*

Optional Interfaces**Module**

J2591-69001	External JetDirect LAN interface module with ethertwist (10Base-T) and ThinLAN (10BASE-2) connectors
J2592-69001	External JetDirect LAN interface module with ethertwist (10Base-T) connector REQUIRES RETURN OF DEFECTIVE PART
<i>J2592-61001</i>	<i>New Part for J2592-69001</i>
J2593-69001	External JetDirect LAN interface module with Ethertwist (10Base-T) and ThinLAN (10BASE-2) input connectors and 3 parallel (DB-25) output connectors - (part of J2593A)
J2594-69001	External JetDirect token ring interface module with DB-9 and RJ-45 input connectors and 3 parallel (DB-25) output connectors - (part of J2594A) REQUIRES RETURN OF DEFECTIVE PART
<i>J2594-61011</i>	<i>New Part for J2594-69001</i>
J3258-61011	External JetDirect LAN interface module with EtherTwist (10Base-T) connector - (J3258A, J3258B)
J4102-69011	External JetDirect LAN interface module with EtherTwist (10Base-T) connector - (J4102A, J4102B) REQUIRES RETURN OF DEFECTIVE PART
<i>J4102-61011</i>	<i>New Part for J4102-69011</i>

Module (Product)

J4101B	External JetDirect LAN interface module with EtherTwist (10Base-T/Base-TX) connector
J4102B	External JetDirect LAN interface module with EtherTwist (10Base-T) connector

PC Board (Interface)

J2341-60128	AppleTalk (LocalTalk) interface board - Has DIN-8 connector
J2550-69013	EtherTwist 10Base-T LAN interface board
J2555-69013	Token ring LAN interface board - DB-9 and RJ-45 connectors
J4100-69001	JetDirect 400N modular input/output (MIO) internal print server - Provides 10/100Base-TX or 10Base-2 network connection using RJ45 or BNC connectors - (J4100A) REQUIRES RETURN OF DEFECTIVE PART
<i>J4100-61001</i>	<i>New Part for J4100-69001</i>
J4106-69001	Replacement JetDirect 400N modular input/output (MIO) internal print server REQUIRES RETURN OF DEFECTIVE PART
<i>J4106-61001</i>	<i>New Part for J4106-69001</i>

Power Cord

8120-1351	Power cord (Mint Gray) - 17 AWG, 2.3m (7.5ft) long - Has straight (F) receptacle (For 240V in the UK, Hong Kong, Singapore, Malaysia, and Brunei)
8120-1369	Power cord (Mint Gray) - 17 AWG, 2.0m (6.6ft) long - Has straight (F) receptacle (For 240V in Australia, New Zealand, and China)
8120-1378	Power cord (Jade Gray) - 18 AWG, 2.3m (7.5ft) long - Has straight (F) receptacle (For 120V in USA, Canada, Latin America, Korea, Taiwan, Thailand, Spain, Brazil, and Vietnam)
8120-1689	Power cord (Mint Gray) - 17 AWG, 2.0m (6.6ft) long - Has straight (F) receptacle (For 220V in Europe, Bangladesh, Indonesia, Pakistan, Burma, Sri Lanka, and Vietnam)
8120-2104	Power cord (Mint Gray) - 2.0m (6.6ft) long - Has straight (F) receptacle (For 220V in Switzerland)
8120-2956	Power cord (Mint Gray) - 2.0m (6.6ft) long - Has straight (F) receptacle (For 220V in Denmark)
8120-4753	Power cord (Flint Gray) - 18 AWG, 2.3m (7.5ft) long - Has straight (F) receptacle (For 100V in Japan)
8120-6302	'Daisy chain' power cord (Dove Gray) - 18 AWG, 1.2m (4.0ft) long - Has C14 (M) plug for power input and C13 (F) plug for power output

Power Module

0950-2372	Power supply module - 100-240VAC input, 47-63Hz, requires separate AC power cord - 5VDC output, 1A, 5 watts - For J2382/83A/B
0950-3169	Wall mount power supply module - 110-127V AC 57-63Hz input - 13V DC output at 300mA (USA, Canada) - For use with the J2592A external JetDirect LAN interface module
0950-3170	Power supply module - 209-253VAC input, 47-53Hz - 13VDC output, 300mA (Europe, Israel) - For use with the J2592A external JetDirect LAN interface module

Optional Interfaces**Power Module**

0950-3171	Power supply module - 220-240VAC input, 47-53Hz - 13VDC output, 300mA (U.K., Hong Kong) - For use with the J2592A external JetDirect LAN interface module
0950-3172	Power supply module - 240VAC input, 47-53Hz - 13VDC output, 300mA (Australia) - For use with the J2592A external JetDirect LAN interface module
0950-3348	Wall mount power supply module (MEI-AH ED12006) - 110-127VAC input, 57-63Hz - 13VDC output, 800mA, 10.4 watts (for use in the United States and Canada) - For models J2590/91/93/94A, J2964A, J3258A/B, J3263/64/65A, J3282B, J4101A/B, J4102A/B
0950-3349	Wall mount power supply module (MEI-AH ED12007) - 230VAC input, 47-53Hz - 13VDC output, 800mA, 10.4 watts (for use in Europe and Israel) - For JetDirect/infrared interface models J2590/91/93/94A, J2964A, J3258A/B, J3263/64/65A, J3282B, J4101A/B, J4102A/B
0950-3350	Wall mount power supply module (MEI-AH ED12008) - 220-240VAC input, 47-53Hz - 13VDC output, 800mA, 10.4 watts (for use in the United Kingdom) - For JetDirect/infrared interfaces J2590/91/93/94A, J2964A, J3258A/B, J3263/64/65A, J3282B, J4101A/B, J4102A/B
0950-3351	Wall mount power supply module (MEI-AH ED12009) - 220VAC input, 47-63Hz - 13VDC output, 800mA, 10.4 watts (for use in South Korea) - For JetDirect/infrared interface models J2590/91/93/94A, J2964A, J3258A/B, J3263/64/65A, J3282B, J4101A/B, J4102A/B
0950-3352	Wall mount power supply module (MEI-AH ED12010) - 100VAC input, 47-63Hz - 13VDC output, 800mA, 10.4 watts (for use in Japan) - For JetDirect/infrared interface models J2590/91/93/94A, J2964A, J3258A/B, J3263/64/65A, J3282B, J4101A/B, J4102A/B
0950-3354	Wall mount power supply module (MEI-AH ED12010) - 220-250VAC input, 47-53Hz - 13VDC output, 800mA, 10.4 watts (for use in South Africa) - For JetDirect/infrared interface models J2590/91/93/94A, J2964A, J3258A/B, J3263/64/65A, J3282B, J4101A/B, J4102A/B
9100-5176	Wall mount power supply module (Leader Electronics 48130625HK) - 200VAC input, 48-52Hz - 13VDC output, 625mA (Hong Kong) - For JetDirect Modules and Infrared Interface Models J2590/91/93/94A, J2964A, J3258A/B, J3263/64/65A, J3282B, J4101A/B, J4102A/B
0950-3350	<i>New Part for 9100-5176</i>

Optional Paper Trays**Tray**

127	C3160A	HP LaserJet 4V and 4MV Letter paper input tray - Holds 250 sheets of 8.5in x 11in letter size paper
128	C3161A	HP LaserJet 4V and 4MV Ledger and A3 paper input tray - Holds 250 sheets of 11in x 17in ledger size (B-size) paper or A3 size paper
129	C3162A	HP LaserJet 4V and 4MV Legal paper input tray - Holds 250 sheets of 8.5in x 14in legal size paper
130	C3163A	HP LaserJet 4V and 4MV B4 paper input tray - Holds 250 sheets of 10.1in x 14.3in B4 size paper NO LONGER SUPPLIED
131	C3164A	HP LaserJet 4V and 4MV B5 paper input tray - Holds 250 sheets of 7.2in x 10.1in B5 size paper NO LONGER SUPPLIED
	C3761A	HP LaserJet 4V and 4MV Universal paper tray - Holds 500 sheets of letter, legal, ledger/tabloid, A, A3, A4, B, or B4 size paper NO LONGER SUPPLIED
	C3760-60502	<i>New Part for C3761A</i>

Other Accessories**Cartridge**

133	C3900A	Black toner (EP) cartridge - With 'Micro-Fine' toner
-----	--------	--

Film (Transparency)

92296T	LaserJet printer transparency film - A size (8.5 x 11-inches) - 50 sheets per box
--------	---

Labels

92296A	LaserJet printer addressing labels - 2.54cm (1.00in) x 6.67cm (2.63in) labels - 30 per sheet - 100 sheets per box NO LONGER SUPPLIED
92296B	LaserJet printer addressing labels - 3.38cm (1.33in) x 10.2cm (4.00in) labels - 14 per sheet - 100 sheets per box NO LONGER SUPPLIED

Other Accessories**Labels**

92296C	LaserJet printer addressing labels - 2.54cm (1.00in) x 10.2cm (4.00in) labels - 20 per sheet - 100 sheets per box NO LONGER SUPPLIED
92296D	LaserJet printer addressing/shipping labels - 5.08cm (2.00in) x 10.2cm (4.00in) labels - 10 per sheet - 100 sheets per box NO LONGER SUPPLIED
92296E	LaserJet printer shipping labels - 8.47cm (3.33in) x 10.2cm (4.00in) labels - Six per sheet - 100 sheets per box NO LONGER SUPPLIED
92296F	LaserJet printer return address labels - 1.27cm (0.50in) x 4.45cm (1.75in) labels - 80 per sheet - 25 sheets per box NO LONGER SUPPLIED
92296G	LaserJet printer file folder labels - 1.69cm (0.67in) x 8.73cm (3.44in) labels - 30 per sheet - 25 sheets per box NO LONGER SUPPLIED
92296H	LaserJet printer labels for 3.5-inch diskettes - 7.00cm (2.75in) x 7.00cm (2.75in) labels - Nine per sheet - 70 sheets per box NO LONGER SUPPLIED
92296J	LaserJet printer labels for 5.25-inch diskettes - 3.81cm (1.50in) x 10.2cm (4.00in) labels - 12 per sheet - 70 sheets per box NO LONGER SUPPLIED
92296K	LaserJet printer full sheet label - A size (8.5 x 11-inches) label - One per sheet - 100 sheets per box NO LONGER SUPPLIED

Manual

5851-1468	LaserJet printer family paper specification guide
5961-0649	Introduction to Network Printing manual
C3141-90901	LaserJet 4V and 4MV printer 'Getting Started' manual (English)
C3141-90902	LaserJet 4V and 4MV printer 'Getting Started' manual (French)
C3141-90903	LaserJet 4V and 4MV printer 'Getting Started' manual (Italian)
C3141-90904	LaserJet 4V and 4MV printer 'Getting Started' manual (German) NO LONGER SUPPLIED
C3141-90905	LaserJet 4V and 4MV printer 'Getting Started' manual (Spanish)
C3141-90906	LaserJet 4V and 4MV printer 'Getting Started' manual (Swedish)
C3141-90907	LaserJet 4V and 4MV printer 'Getting Started' manual (Norwegian)
C3141-90908	LaserJet 4V and 4MV printer 'Getting Started' manual (Danish) NO LONGER SUPPLIED
C3141-90909	LaserJet 4V and 4MV printer 'Getting Started' manual (Dutch)
C3141-90910	LaserJet 4V and 4MV printer 'Getting Started' manual (Finnish)
C3141-90911	LaserJet 4V and 4MV printer 'Getting Started' manual (Portuguese)
C3141-90915	LaserJet 4V and 4MV printer user's manual (English)
C3141-90916	LaserJet 4V and 4MV printer user's manual (French)
C3141-90917	LaserJet 4V and 4MV printer user's manual (Italian) NO LONGER SUPPLIED
C3141-90918	LaserJet 4V and 4MV printer user's manual (German)
C3141-90919	LaserJet 4V and 4MV printer user's manual (Spanish)
C3141-90920	LaserJet 4V and 4MV printer user's manual (Swedish)
C3141-90921	LaserJet 4V and 4MV printer user's manual (Norwegian)
C3141-90922	LaserJet 4V and 4MV printer user's manual (Danish)
C3141-90923	LaserJet 4V and 4MV printer user's manual (Dutch)
C3141-90924	LaserJet 4V and 4MV printer user's manual (Finnish)
C3141-90929	LaserJet 4V and 4MV printer combined service manual (English)
C3141-90930	LaserJet 4V and 4MV printer user's manual (Turkish)

Other Accessories**Manual**

C3141-90931	LaserJet 4V and 4MV printer user's manual (Polish)
C3141-90932	LaserJet 4V and 4MV printer 'Getting Started' manual (Turkish) NO LONGER SUPPLIED
C3141-90933	LaserJet 4V and 4MV printer 'Getting Started' manual (Polish) NO LONGER SUPPLIED
5021-8943	LaserJet quick reference guide - Volume 1 of 2 volume set
5090-3390	LaserJet quick reference guide - Volume 2 of 2 volume set

Manual Kit

5021-0377	HP-GL/2, PCL5 and PJP technical reference manual kit
C3141-99012	LaserJet 4V and 4MV printer manual bundle - Includes 'Getting Started' and user's manuals (Korean)

Software

C6072-60301	HP-GL/2 driver software for AutoCAD - For DOS and Windows 3.1/95/NT 4.0 - On 3.5-inch 1.44MB floppy disks (English)
C6072-60304	HP-GL/2 driver software for AutoCAD - For DOS and Windows 3.1/95/NT 4.0 - On 3.5-inch 1.44MB floppy disks (German)
C6072-60305	HP-GL/2 driver software for AutoCAD - For DOS and Windows 3.1/95/NT 4.0 - On 3.5-inch 1.44MB floppy disks (French)
C6072-60306	HP-GL/2 driver software for AutoCAD - For DOS and Windows 3.1/95/NT 4.0 - On 3.5-inch 1.44MB floppy disks (Spanish)
C6072-60307	HP-GL/2 driver software for AutoCAD - For DOS and Windows 3.1/95/NT 4.0 - On 3.5-inch 1.44MB floppy disks (Italian)

Training Kit

C3141-67912	Self paced training kit for LaserJet 4V, 4MV - Includes service manual, NTSC VHS video, service pocket and LaserJet paper specs guide
C3141-67913	Self paced training kit for LaserJet 4V, 4MV - Includes service manual, PAL format video, service pocket, and LaserJet paper specs guides

Video Tape

5961-0650	Video tape - Titled 'Network Printing for the Enterprise' - Technical details about network printing - NTSC format (VHS)
-----------	--

Other Internal Parts**Arm**

185	RB1-1294-000CN	Left slide arm - Supports front door when printer is opened
186	RB1-1385-000CN	Right arm - Supports front door when printer is opened also actuates interlock switch on power supply

Cable

187	RG5-1446-000CN	Cable assembly - Large 8 pin (F) connector to small 8 pin (F) connector - 69.1cm (27.2 inches) long
-----	----------------	---

Chassis

188	RG5-1560-060CN	Card cage - Directly underneath top cover - Small fan for main logic (Formatter) board attaches to this part
-----	----------------	--

Fan

189	RH7-1126-000CN	Exhaust fan (FM1)
190	RH7-1214-000CN	Exhaust fan (FM2)
191	RH7-1317-000CN	Formatter board fan (FM3)

Guide

192	RF5-1142-000CN	Toner cartridge (Metal) guide
193	RG5-1555-050CN	Paper guide assembly
194	RG5-1577-020CN	Guide plate - Foam pad attached

Hardware

RB1-5788-000CN	Thumbscrew - Attaches panel to main logic (Formatter) board
----------------	---

Other Internal Parts**Knob**

196 RB1-1343-000CN Print density knob

Lever

197 RA2-0420-000CN Sensor lever - Spring attaches to it

198 RB1-1438-000CN Sensor lever

Panel

RB1-5785-000CN Support panel - For main logic (Formatter) board

Rail

200 RB1-5557-000CN Right slide rail - For main logic (Formatter) board

201 RB1-5558-000CN Left slide rail - For main logic (Formatter) board

Shield

C3980-00007 Formatter board RFI shield

Paper Path Parts**Arm**

203 RF5-0400-000CN Delivery sensor arm - Actuates delivery sensor as paper passes over arm slot of paper guide plate assembly

Bracket

204 RB1-1344-000CN Bracket - For static eliminator behind separation pad

Clutch

205 RH7-5094-000CN Registration roller clutch

206 RH7-5095-000CN Electromagnetic Clutch

Door

207 RG5-1552-000CN Fuser door - Folds down from main front door - Has a shaft with 8 rubber rollers and 7 gears along right side of door

Drive Assembly

208 RG5-1398-000CN Main drive assembly - Geared assembly includes shutter arm lever

Gear

209 RS5-0176-000CN Dual gear - White, 25/33 tooth

210 RS5-0186-000CN Gear - Black, 34 tooth

211 RS5-0187-000CN Dual gear - Black, 21/40 tooth

Gear Assembly

212 RG5-1566-000CN Drum drive assembly - White diagonal-toothed gears that drive the toner cartridge

Gearbox

213 RG5-1396-000CN Gear box - Houses several gears

Guide

214 RF5-1380-030CN Fuser inlet guide

215 RG5-1545-000CN Delivery guide assembly - Has 6 dual roller assemblies

Kit

C3141-69010 Maintenance kit (120V) - Includes fusing assembly, separation pad, transfer roller, printer pick-up roller, lower cassette pick-up roller, and instructions
REQUIRES RETURN OF DEFECTIVE PART

C3141-67915 *New Part for C3141-69010*

C3141-69011 Maintenance kit (220V) - Includes fusing assembly, separation pad, transfer roller, printer pick-up roller, lower cassette pick-up roller, and instructions
REQUIRES RETURN OF DEFECTIVE PART

C3141-67916 *New Part for C3141-69011*

Paper Path Parts**Lever**

- 218 RB1-1278-000CN Paper sensing lever
219 RF5-1379-000CN Sensor lever

Motor

- 220 RH7-1199-000CN Main motor

Pad

- 221 RF5-0302-000CN Separation pad - Adjacent to registration roller

Plate

- 222 RG5-2248-030CN Guide plate assembly - Includes multipurpose tray pickup roller & motor, sensor (PS1), solenoid (SL1), and gear assemblies that are on pickup roller/motor shaft

Roller

- 223 RB1-1386-000CN Dual pickup roller - Two used on cassette pickup roller assembly
224 RB1-1411-000CN Pickup roller - For multipurpose input tray
225 RG5-0198-000CN Face-down delivery roller assembly - Shaft with 6 rubber rollers - Last rollers before paper is output to top of printer
226 RG5-1391-000CN Pickup roller assembly - Shaft with two dual rollers - For standard paper input trays
227 RG5-1410-000CN Transfer charge roller (Black) - In front door assembly
228 RG5-0194-000CN Registration roller (Metal) - Includes gear on left end
229 RG5-1576-000CN Registration roller (Rubber) - Includes gear on left end

Sensor

- 230 WG8-0291-000CN Photo sensor

Static Dissipater

- 231 RB1-5467-000CN Static dissipator underneath main top cover
RB1-6389-000CN Static dissipator behind separation pad

Power Supplies and Parts**Fuse**

- 233 VD7-0643-151CN Fuse - 3.15A, 250V max
234 WD1-0224-000CN Fuse - 6.3A, 125V max

PC Board

- 235 RG5-1417-000CN AC terminal board - Right side of fusing assembly plugs into this assembly

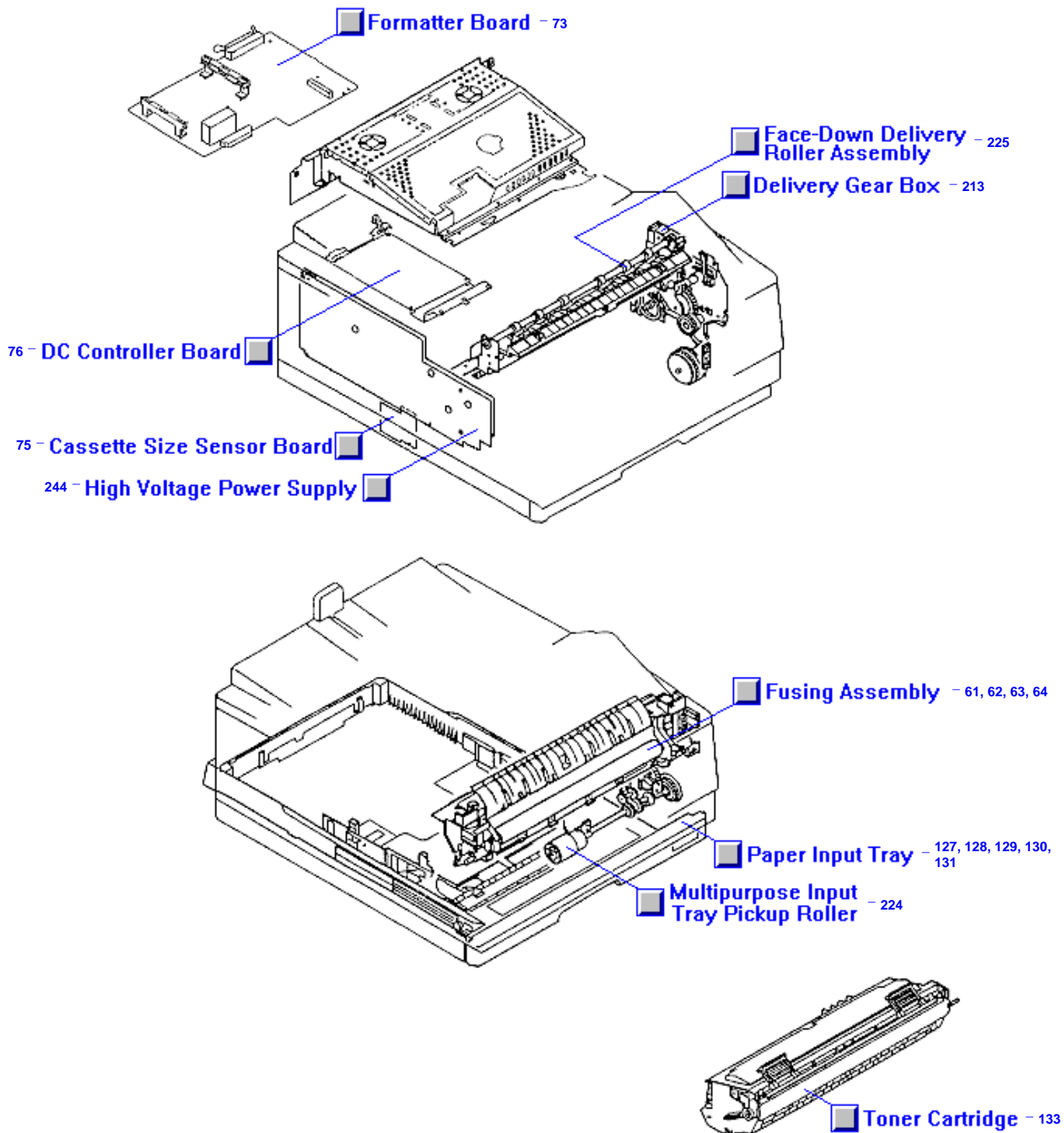
Power Cord

- 8120-1351 Power cord (Mint Gray) - 17 AWG, 2.3m (7.5ft) long - Has straight (F) receptacle (For 240V in the UK, Hong Kong, Singapore, Malaysia, and Brunei)
8120-1369 Power cord (Mint Gray) - 17 AWG, 2.0m (6.6ft) long - Has straight (F) receptacle (For 240V in Australia, New Zealand, and China)
8120-1689 Power cord (Mint Gray) - 17 AWG, 2.0m (6.6ft) long - Has straight (F) receptacle (For 220V in Europe, Bangladesh, Indonesia, Pakistan, Burma, Sri Lanka, and Vietnam)
8120-2104 Power cord (Mint Gray) - 2.0m (6.6ft) long - Has straight (F) receptacle (For 220V in Switzerland)
8120-2371 Power cord (Black) - 16 AWG, 2.3m (7.5ft) long - Has straight (F) receptacle (For 120V in the USA and Canada)
8120-2956 Power cord (Mint Gray) - 2.0m (6.6ft) long - Has straight (F) receptacle (For 220V in Denmark)
8120-4211 Power cord (Mint Gray) - 17 AWG, 2.0m (6.6ft) long - Has straight (F) receptacle (For 240V in South Africa and India)

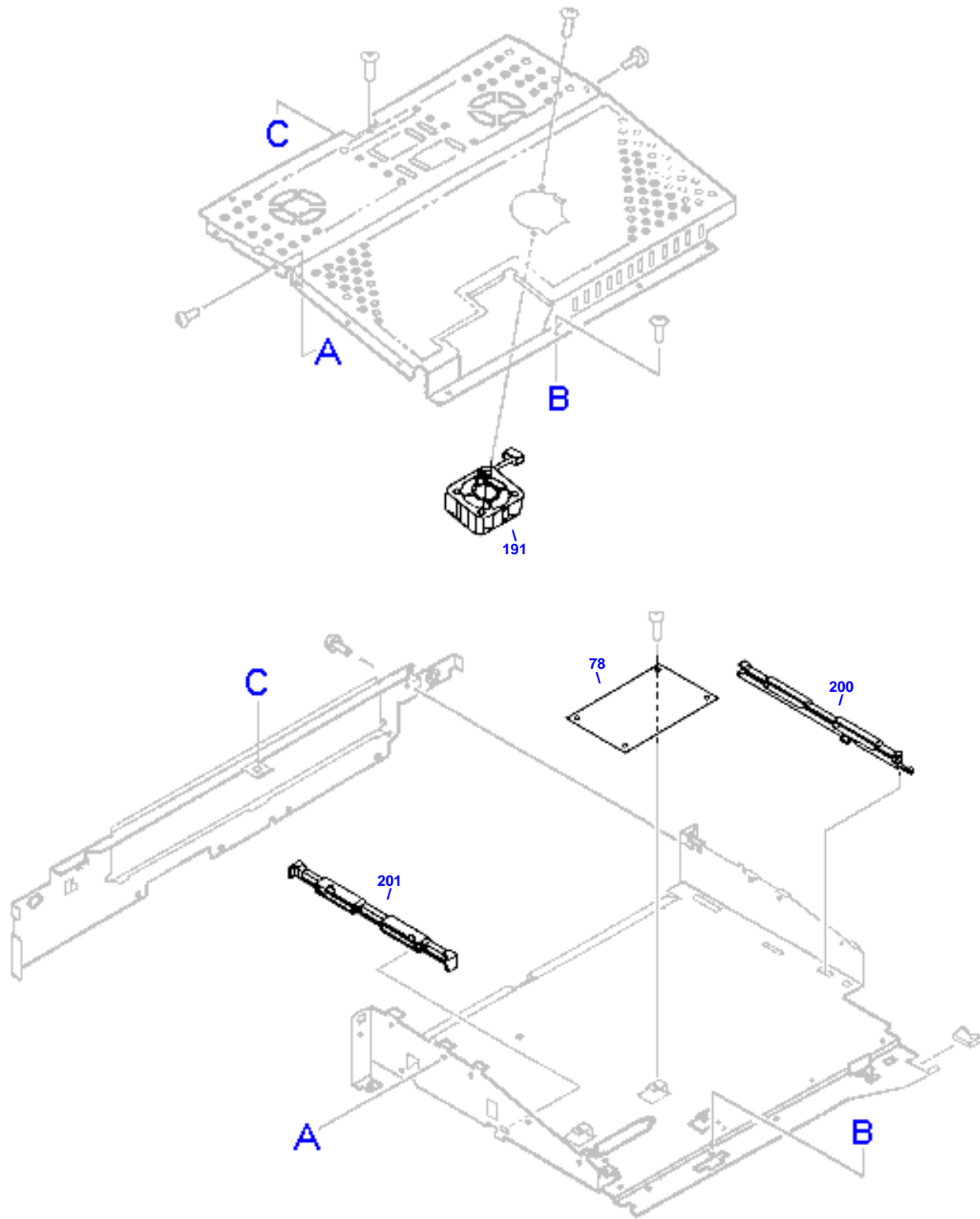
Power Supply

- 243 C3141-69006 Main power supply assembly - 220-240VAC input, 50-60Hz
244 RG5-2044-000CN High voltage power supply assembly
245 RH3-2150-000CN Main power supply assembly - 100-120VAC input, 50/60Hz

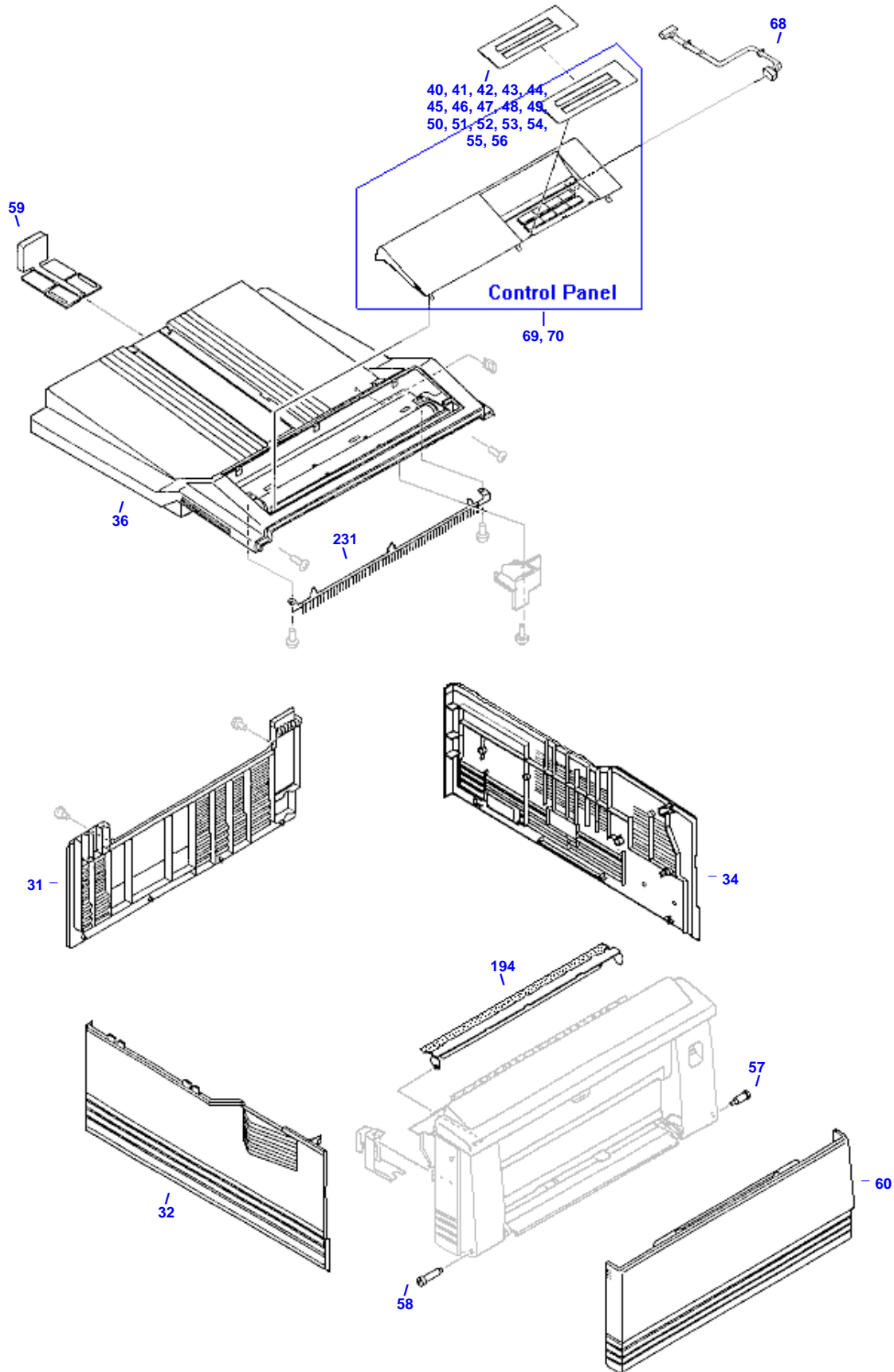
Major Assemblies



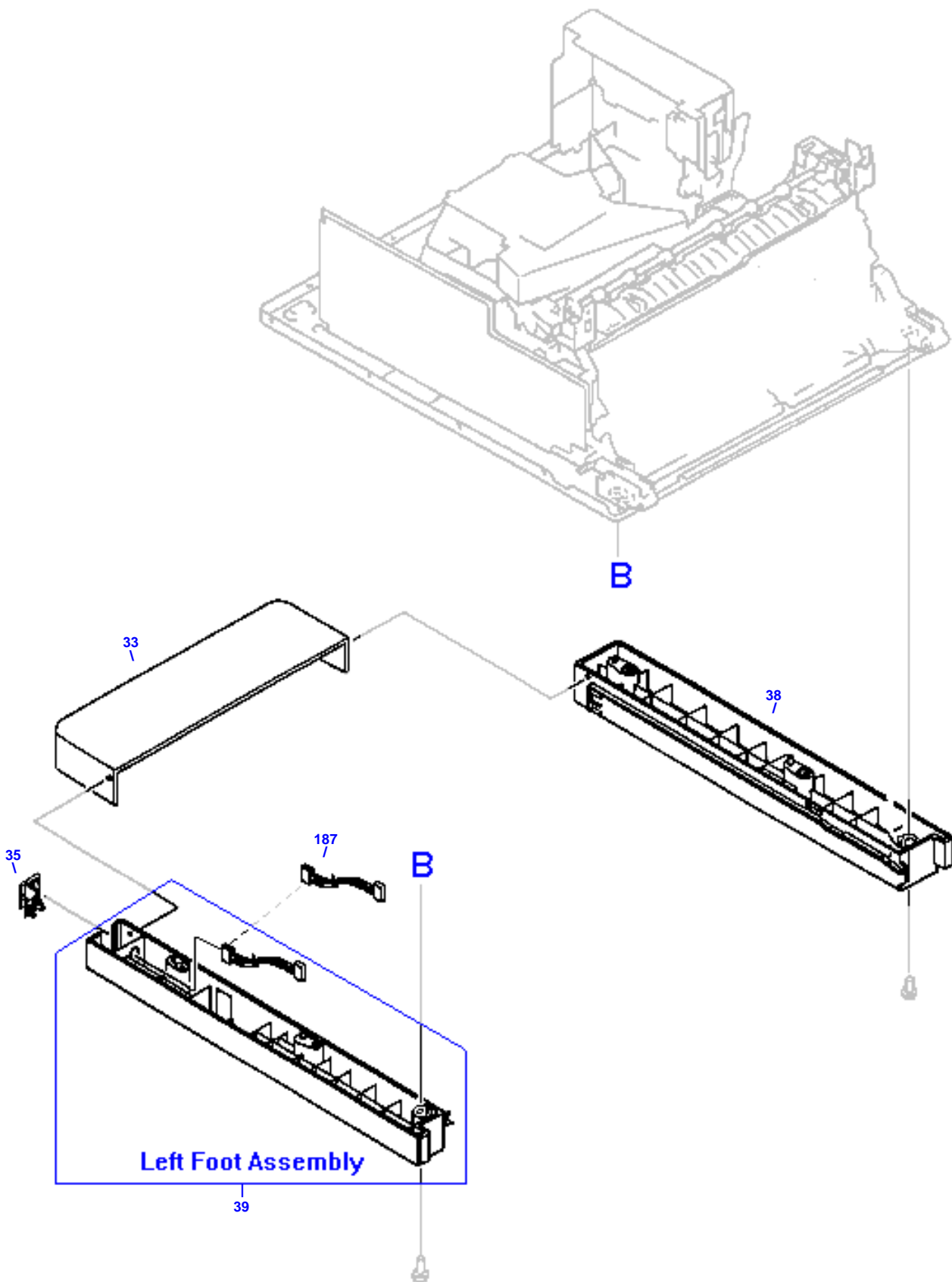
Card Cage Assembly



Covers and Doors

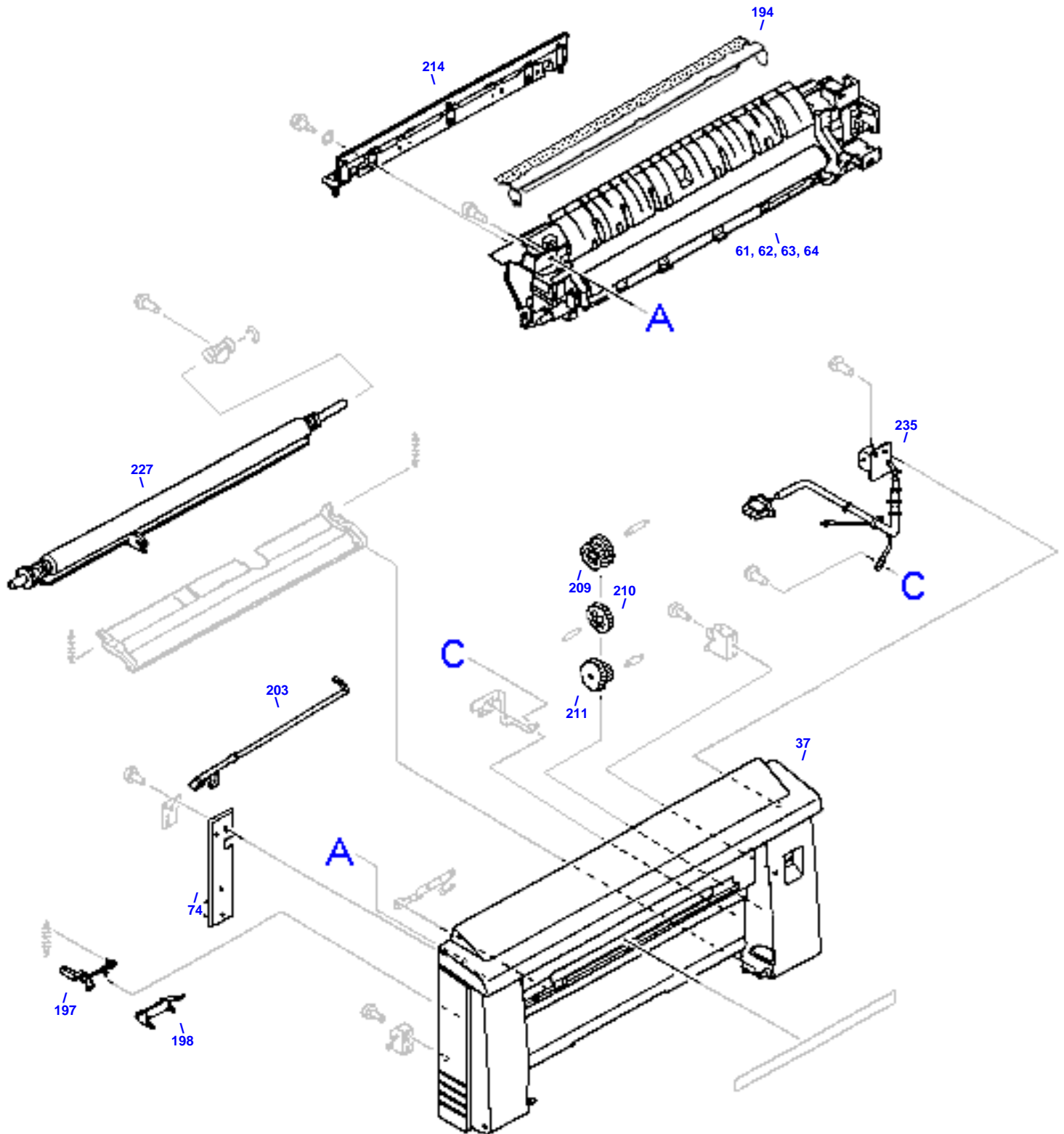


Foot Assemblies



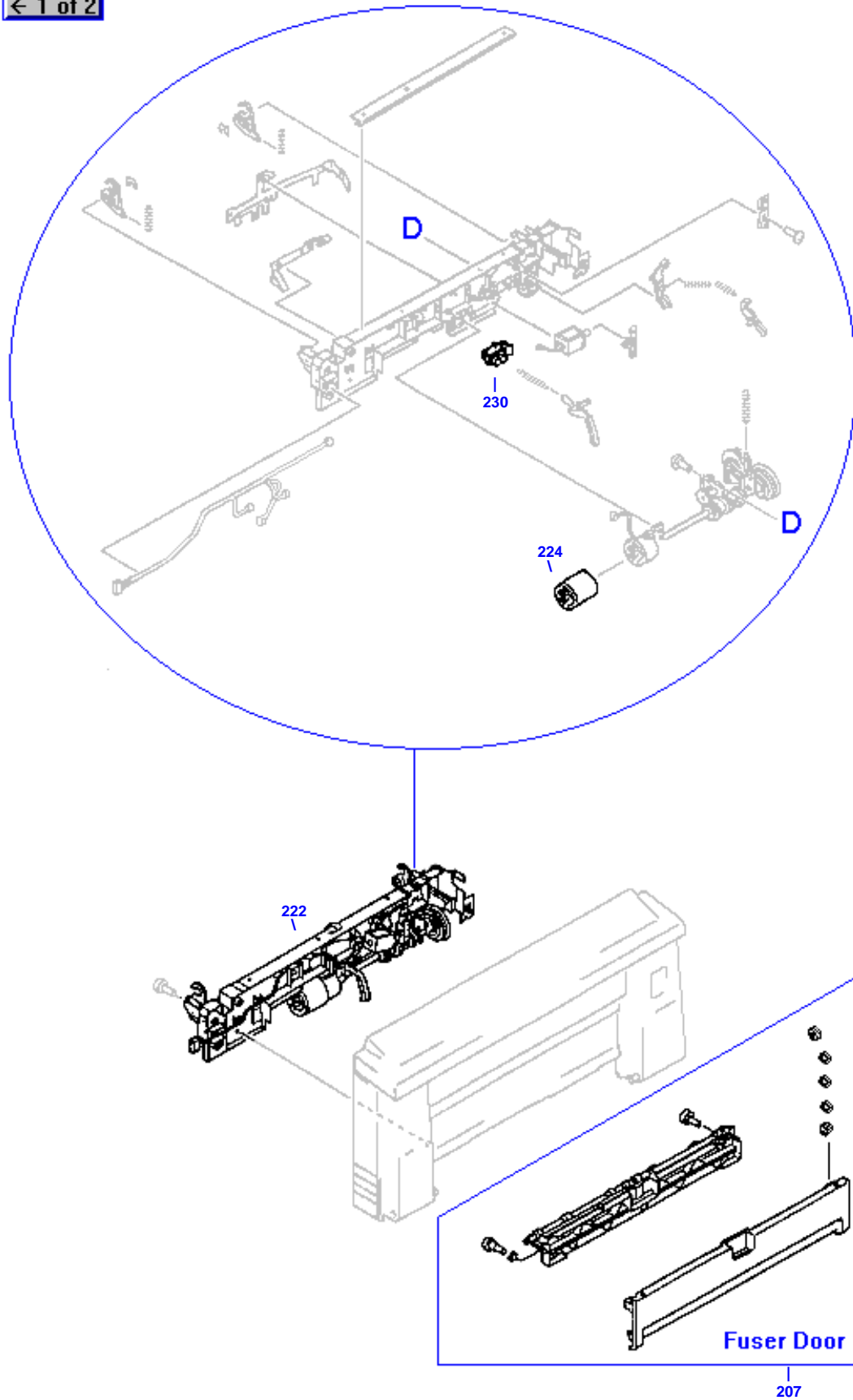
Front Door Components (1 of 2)

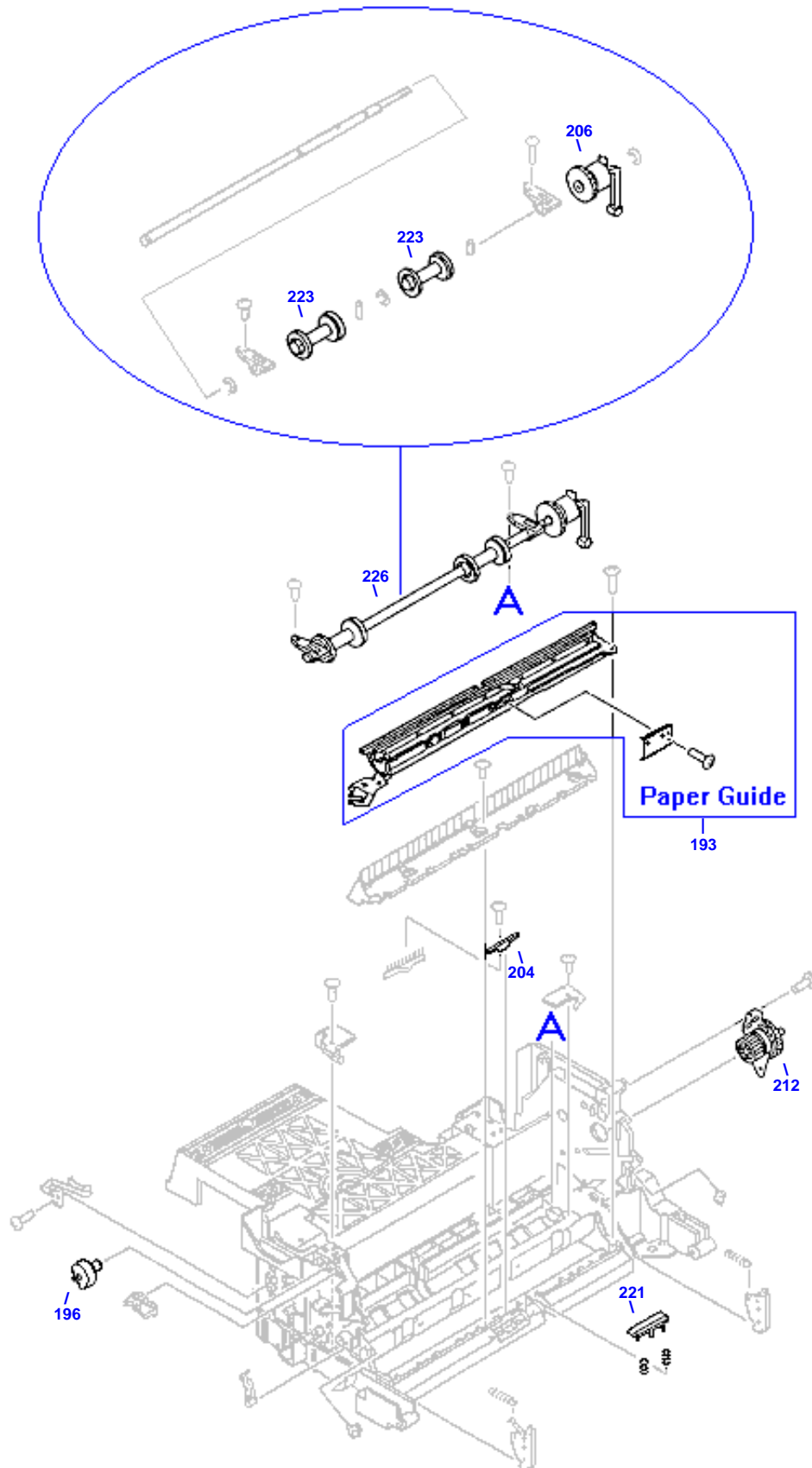
2 of 2 →



Front Door Components (2 of 2)

← 1 of 2

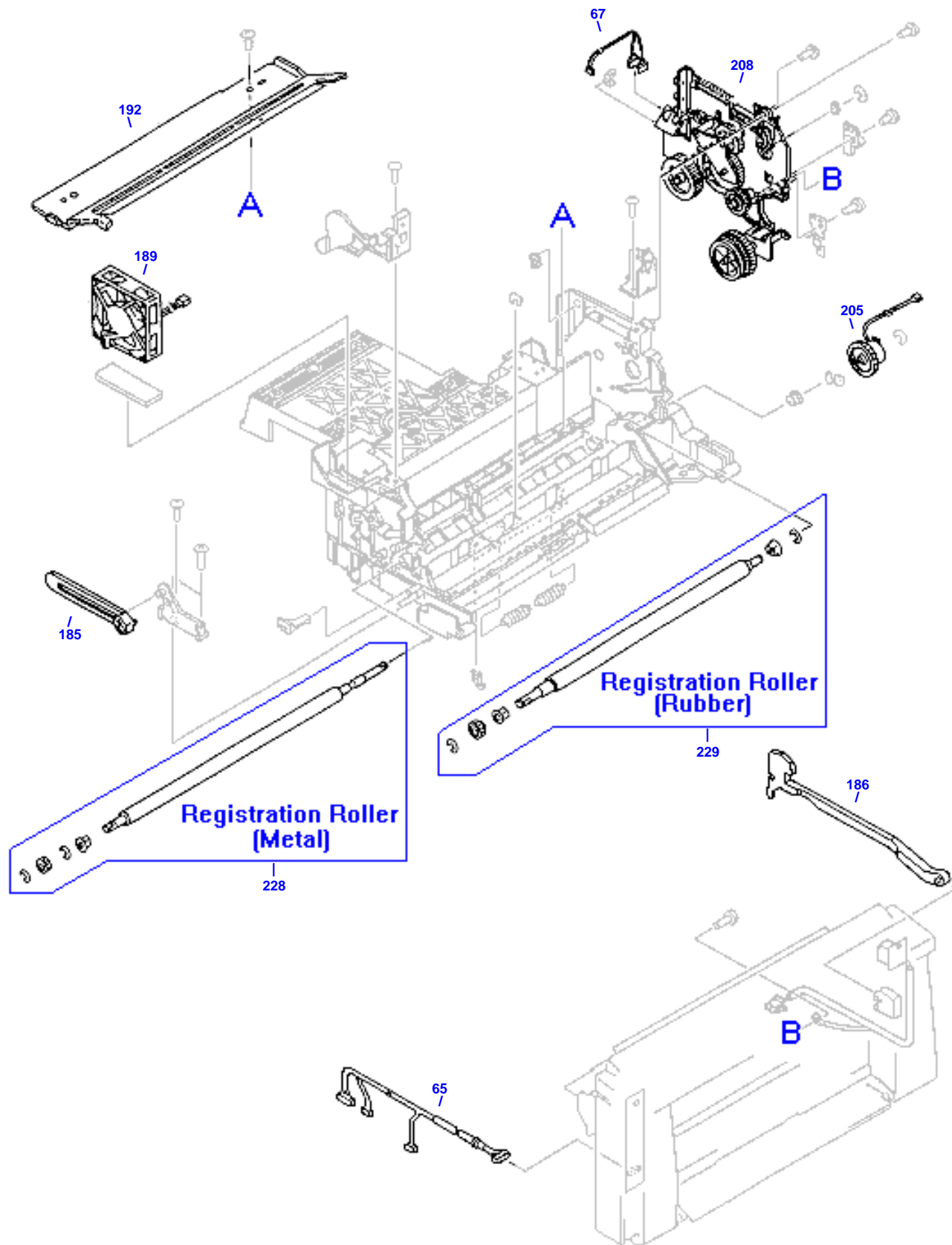




Internal Components (2 of 4)

← 1 of 4

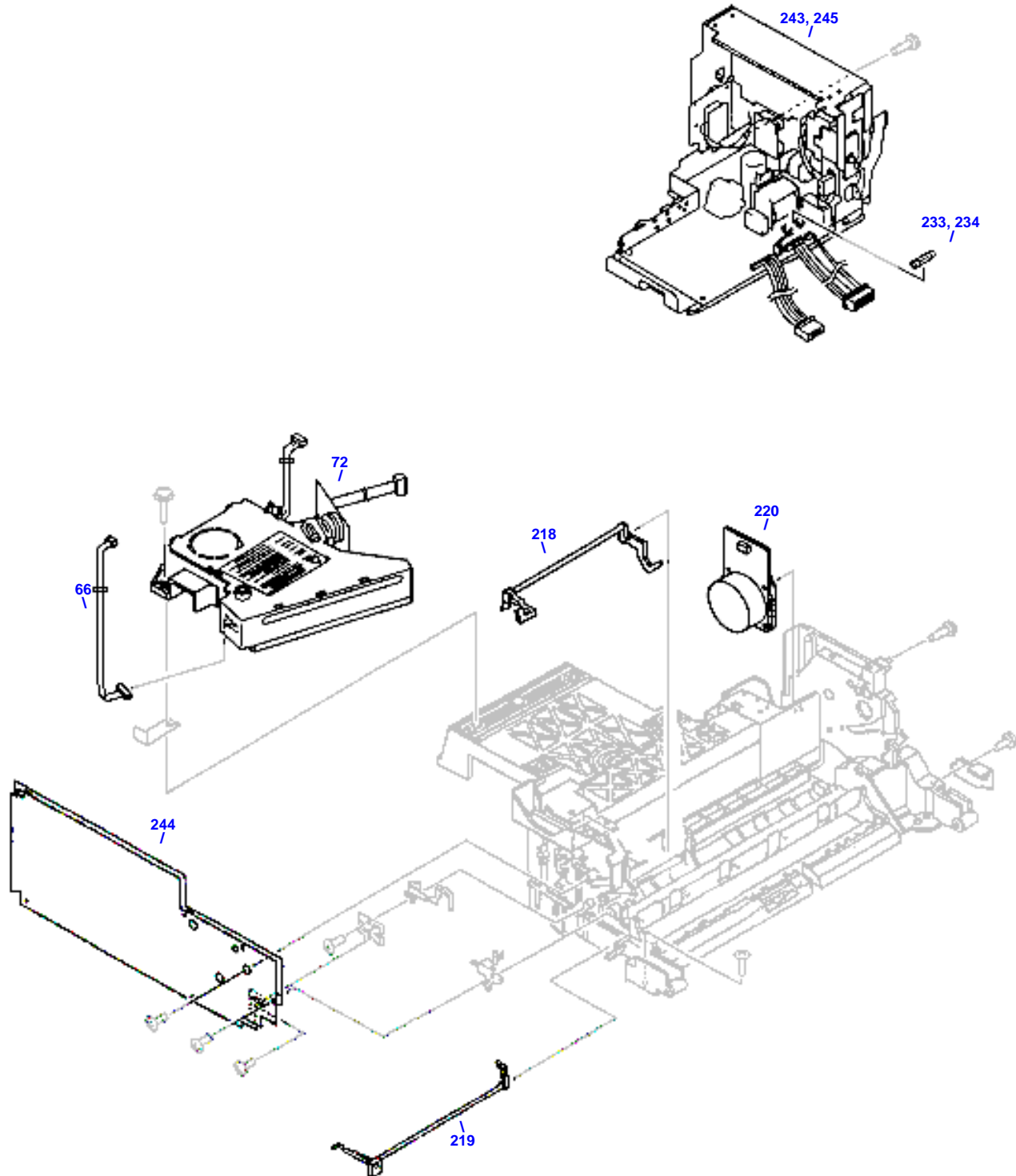
3 of 4 →



Internal Components (3 of 4)

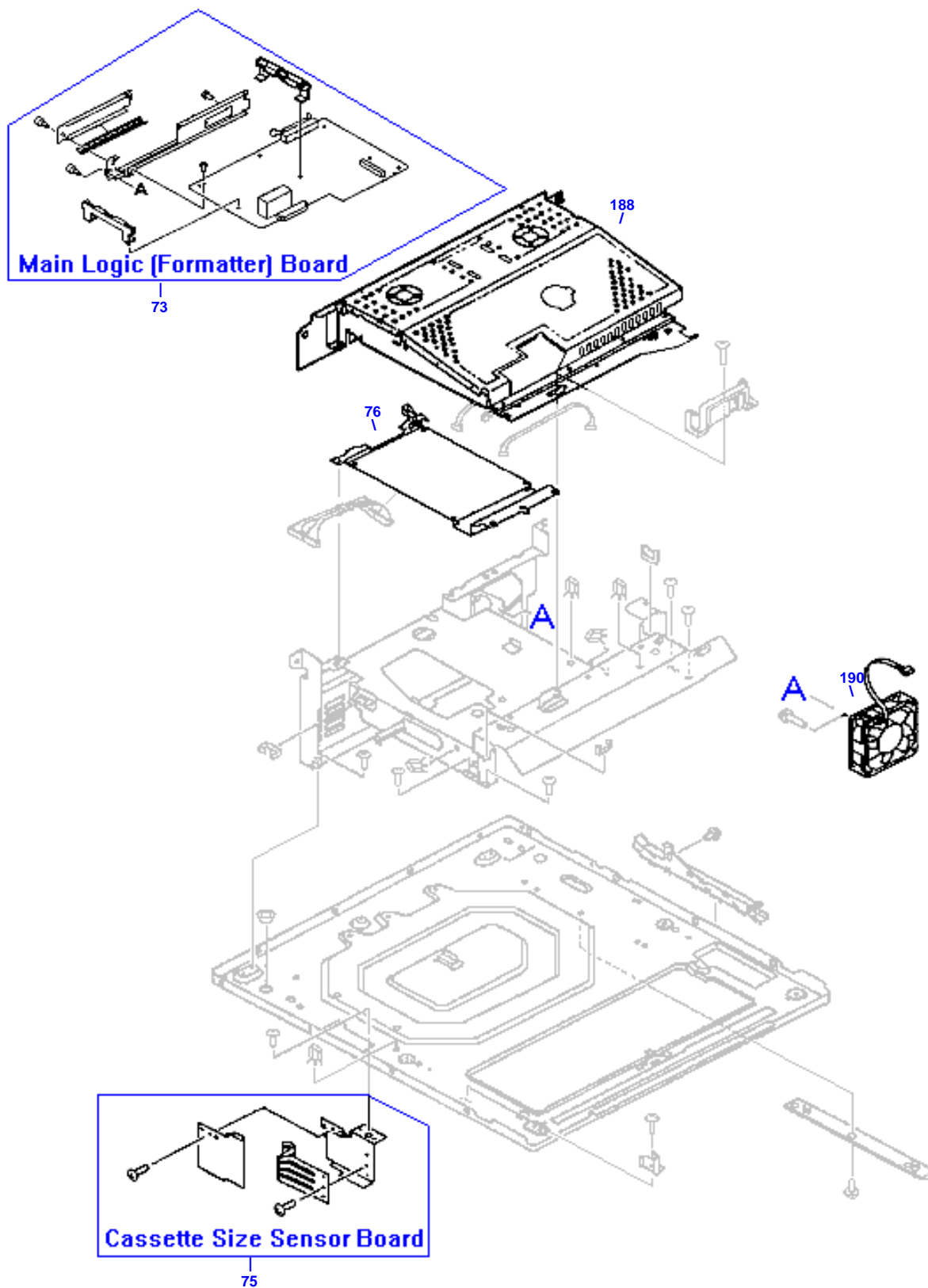
← 2 of 4

4 of 4 →

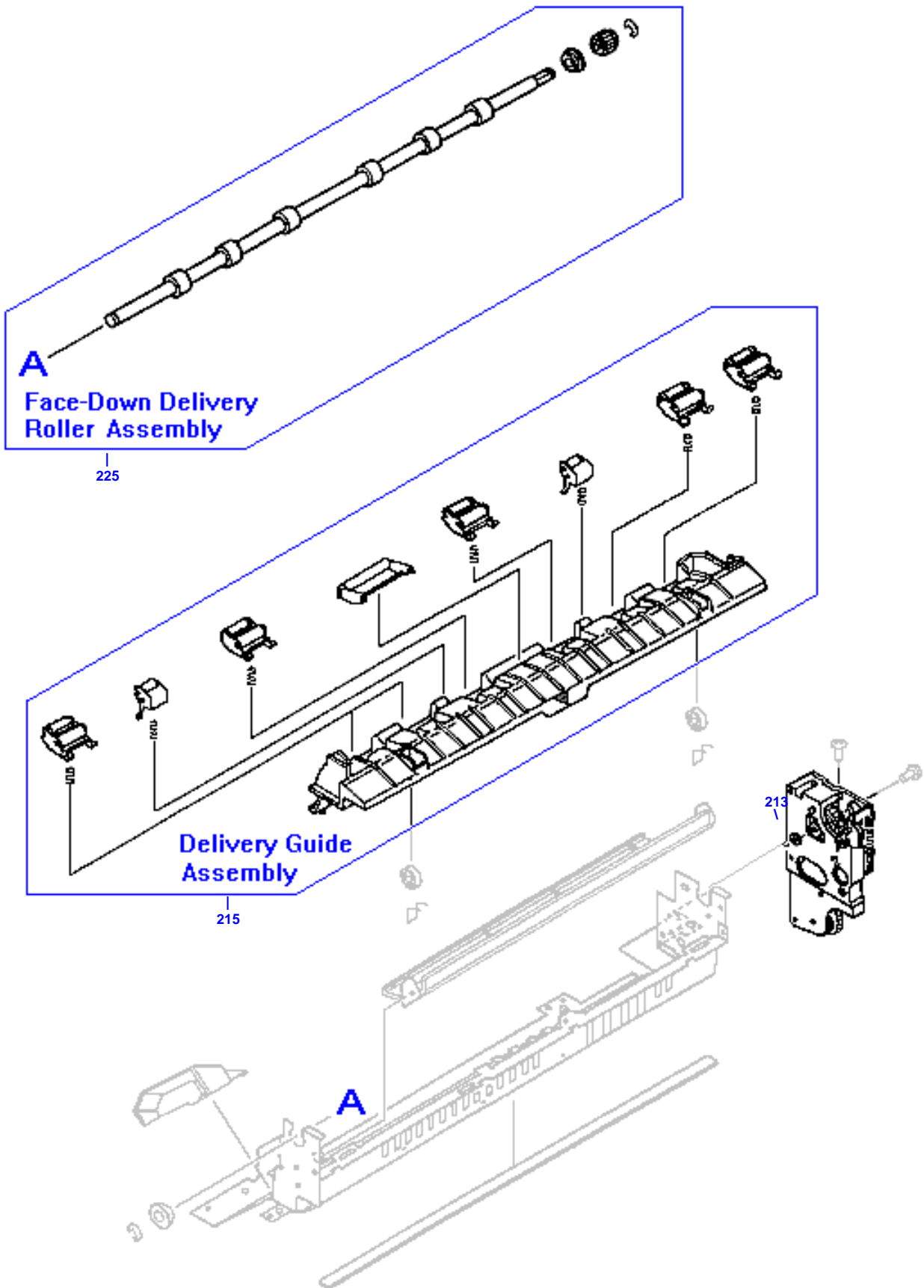


Internal Components (4 of 4)

← 3 of 4



Output Components





HP Parts Reference Guide

<http://www.hp.com/go/parts>

HP PartSurfer

<http://partsurfer.hp.com>

HP Parts Ordering Information

<http://www.hp.com/go/hpparts>

HP Parts Questions/Comments

<http://partsurfer.hp.com/contactus.htm>