

2000 Sheet Feeder**Cable**

- 1 RG5-6240-000CN Jetlink connector socket and cable
- 2 RG5-6249-000CN Jetlink connector grounding cable

Caster

- 3 RB2-7678-020CN Rear caster - Stationary rear caster - 2 used
- 4 RB2-7709-000CN Caster - Caster on bottom of 2000 sheet feeder
- 5 RB3-0304-040CN Front caster - Front swivel casters - 2 used

Cover

- 6 RB2-7648-040CN Front cover for 2000 sheet feeder
- 7 RB2-7649-000CN Right cover for 2000 sheet feeder
- 8 RB2-7650-000CN Right rear cover for 2000 sheet feeder
- 9 RB2-7651-000CN Left rear cover for 2000 sheet feeder
- 10 RB2-7652-000CN Top cover for 2000 sheet feeder
- 11 RF5-3644-000CN Rear center cover for 2000 sheet feeder
- 12 RF5-3645-000CN Left cover for 2000 sheet feeder

Drive Assembly

- 13 RG5-6228-040CN 2000-sheet feeder drive assembly - Gear drive assembly for 2000 sheet feeder - Includes drive motor M303

Housing

- 14 RB2-7662-000CN Jetlink connector housing and cable holder assembly

Lever

- 15 RB2-7762-000CN Paper size switching lever - To adjust paper size in tray

Motor

- 16 RH7-1481-000CN 2000-sheet feeder drive assembly motor - Motor M303

PC Board

- 18 RG5-6235-120CN Controller PC board - Tray 4 deck controller board
- 19 RG5-6237-000CN Paper volume PC Board
- 20 RG5-6238-000CN Paper size PC board
- 21 RG5-6239-000CN LED PC Board - Status LED on front of Tray 4

Paper Input Unit

- 17 RG5-6208-150CN Paper Input Unit - PIU

Power Supply

- 22 RG5-6250-000CN 2000 sheet feeder power supply

Rail

- 23 RG5-6204-000CN Right rail guide
- 24 RG5-6205-000CN Left rail guide

Roller

- 25 RF5-3338-000CN Feed/separation/pickup roller - Feed/Separation Roller - in Paper Input Unit of 2000 sheet feeder (3 Used)

Screw

- 0515-4318 Stabilizing screw for the 2000 sheet feeder - On right side of feeder assembly - 2 used
- 27 XA9-1300-000CN M4 X 8mm screw
- 28 XB2-6300-607CN M3 X 6mm screw

Sensor Mechanism

- 29 RG5-6207-040CN Paper size sensing assembly - Has all sensor switches for sensing size of media in Tray 4
- 30 RG5-6229-030CN Paper volume sensing assembly - Has all sensor switches for sensing volume of media in Tray 4

2000 Sheet Feeder**Switch**

31 RG5-6206-020CN Switch assembly - Custom/standard paper switch

Tray Assembly

C8531-69004 Tray 4 assembly
REQUIRES RETURN OF DEFECTIVE PART

C8531-67902 *New Part for C8531-69004*

3000 Sheet Stacker**Bin**

33 C4779-60505 Stacker bin - Face down lower accumulator tray

34 C4788-60512 Face up bin - Top paper tray

Cable

35 C8085-60515 Flipper and paper path ribbon cable

36 C8085-60517 Jet-link cable and power cord assembly

Caster

37 C4788-60515 Stationary caster - Fixed position caster

38 C8085-60511 Swivel caster with height adjustable starwheel

Cover

39 C8084-60501 Stacker controller PC board cover - Includes label

40 C8085-60504 Rear cover of 3000 sheet output device

41 C8085-60505 Front cover of 3000 sheet stacker - Front cover - Front cover of 3000 sheet stacker - Includes front inner cover, screws and screw caps

42 C8085-60516 Foot cover - Foot cover for 3000 sheet stacker

43 C8085-60520 Bubbled cover - Bubbled cover - cover for cables on stacker back cover

Door

44 C4779-60502 Stacker door assembly with label

Flipper

45 C8085-60500 Paper flipper assembly

Interlock

46 C4788-60514 Interlock switch - Senses when stacker/stapler is correctly attached to printer

Kit

C4788-60527 Paper stopper clip kit

C8084-60505 Stacker plastic kit - Includes cable holders, stapler door hinges, and safety switch cover

Module

49 C8084-60500 Offset module for 3000 sheet stacker

PC Board

51 C4788-60510 LED PCA - Control panel LED display

Paper Path Module

50 C8085-60501 Paper path router

Power Supply

52 C8084-60504 3000 sheet stacker power supply

Receptacle

53 RG5-5727-000CN A/C power input receptacle module and power switch

Retention Mount

54 RG5-5709-000CN Front pressure mount for toner cartridge

RG5-5710-000CN Rear pressure mount for toner cartridge

3000 Sheet Stacker**Stacker Assembly**

C8084A Optional 3000 sheet paper output stacker assembly

Accessories**Cleaning Supplies**

5090-3379 Toner cleaning cloth - Specially treated cloth for absorbing toner (1 per package) - Ideal for cleaning up toner spills

Duplexer

C8532-69002 Duplexer assembly
REQUIRES RETURN OF DEFECTIVE PART

C8532-67902 New Part for C8532-69002

Electronic Accessories**Cable (Interface)**

92215N Interface cable kit - For HP peripherals designed for use in an AppleTalk/Phonenet network - Not for Macintosh models that have recessed I/O connectors

92215S RS-422 serial cable - 8 pin (M) to 8 pin (M) - 2.0m (6.6ft) long - For connecting Apple Macintosh with LocalTalk/serial connector

C2946A IEEE-1284 Bi-Tronics parallel cable - DB-25 (M) connector (type A) to 36 pin high density IEEE-1284C (M) connector (type C) - 3.0m (9.8ft) long

C2947A IEEE-1284 Bi-Tronics parallel cable - DB-25 (M) connector (type A) to 36 pin high density IEEE-1284C (M) connector (type C) - 10m (33ft) long

Drive (Product)

J6054A 5GB EIO hard drive

Kit

C9152-67904 Maintenance Kit (120V) - Replacement Parts after 350k Pages Includes, Fusing Assembly, 7 Feed/Separation Rollers, 2 Pickup Rollers and Transfer roller

C9152-69004 Maintenance Kit (120V) - Replacement Parts after 350k Pages Includes, Fusing Assembly, 7 Feed/Separation Rollers, 2 Pickup Rollers and Transfer roller
REQUIRES RETURN OF DEFECTIVE PART

C9152-67904 New Part for C9152-69004

C9152A Maintenance Kit (120V) - Replacement Parts after 350k Pages Includes, Fusing Assembly, 7 Feed/Separation Rollers, 2 Pickup Rollers and Transfer roller

C9153-67904 Maintenance Kit (220V) - Replacement Parts after 350k Pages Includes, Fusing Assembly, 7 Feed/Separation Rollers, 2 Pickup Rollers and Transfer Roller

C9153-69004 Maintenance Kit (220V) - Replacement Parts after 350k Pages Includes, Fusing Assembly, 7 Feed/Separation Rollers, 2 Pickup Rollers and Transfer Roller
REQUIRES RETURN OF DEFECTIVE PART

C9153-67904 New Part for C9153-69004

C9153A Maintenance Kit (220V) - Replacement Parts after 350k Pages Includes, Fusing Assembly, 7 Feed/Separation Rollers, 2 Pickup Rollers and Transfer Roller

Memory (Product)

C7843A 16MB, 100-pin SDRAM DIMM memory module

C7845A 32MB, 100-pin SDRAM DIMM memory module

C7846A 64MB SDRAM - 100MHz synchronous DRAM - DIMM package

Q1887AX New Part for C7846A

C9121A 128MB, 100MHz synchronous SDRAM DIMM memory module

Staple Cartridge

C8091A Replacement staple cartridge - Contains 5000 staples

External Case Parts**Cable**

- 75 RG5-5763-000CN Tray 1/MP tray cable
- 76 RG5-5764-000CN Tray 1/MP tray grounding cable

Cap

- 77 RB2-5675-000CN Cover cap

Clip

- 78 RB2-5655-000CN Retaining clip

Control Panel

- 79 RG5-5703-060CN Control Panel - Includes display

Cover

- 80 RB2-5659-000CN Top right cover
- 81 RB2-5660-000CN Top left cover
- 82 RB2-5664-000CN Tray 1/MP Tray cable cover
- 83 RB2-5676-000CN Tray 1 cover
- 84 RB2-5682-000CN Lower right front corner cover - Right side cover of tray 2 and 3
- 85 RB2-5683-000CN Lower left front corner cover
- 86 RB2-5684-000CN Right rear cover
- 87 RB2-5687-000CN Lower left cover - Cover for lower left side of printer
- 88 RB2-5689-000CN Lower right cover - Plastic piece below right door assembly
- RB2-6491-000CN Left upper cover
- 90 RG5-5701-000CN Rear cover assembly
- 91 RG5-5702-000CN Front cover assembly - Large door above trays 2 and 3
- 92 RG5-5705-000CN Left upper cover
- 93 RG5-5737-000CN Right cover assembly

Damper

- 94 RG5-5648-000CN Left door damper assembly

Delivery

- 95 RG5-5647-050CN Face-up delivery assembly

Door

- 96 RG5-5646-050CN Left door assembly

Hardware

- 97 XA9-1189-000CN M4 X 10 Screw

Hinge

- 98 RB2-5652-000CN Cover hinge - Half of hinge that attaches to front cover

Latch

- 99 RB2-5700-000CN Front cover latch
- 100 RG5-5740-000CN Right cover latch handle assembly

Overlay

- 101 RB2-5701-000CN Control panel overlay - For 110V application
- 102 RB2-5703-000CN Control panel overlay - For 220V application

Retainer

- 103 XA9-0135-000CN Push nut retainer

External Case Parts**Screw**

- 104 XA9-1200-000CN M3 X 8 Screw
105 XA9-1273-000CN M4 X 12mm Indented pan head screw

Spring

- 106 RS6-2301-000CN Compression spring

Strap

- 107 RB2-5653-000CN Restraining strap

Tray

- 108 RB2-5690-000CN Face up paper output tray

Logic/Control Electronics**Fuse**

- 109 VD5-0246-301CN Low voltage power supply fuse - 110V

PC Board

- C8519-69001 Formatter board - Main logic PCA
REQUIRES RETURN OF DEFECTIVE PART
C8519-67901 New Part for C8519-69001
111 RG5-5649-000CN Delivery assembly PC board
112 RG5-5678-000CN Paper pickup board - Mounted to side of paper input unit - includes Tray 2&3 paper width sensors
113 RG5-5719-000CN Memory controller PC Board - Memory controller PC Board - With toner cartridge sensor contacts
RG5-5778-120CN DC Controller Board Assembly

Power Supply

- 115 C8519-69008 Low voltage power supply - 220V
116 C8519-69015 High voltage power supply board
REQUIRES RETURN OF DEFECTIVE PART
RG5-5728-050CN New Part for C8519-69015
117 RG5-5730-000CN Low voltage power supply - 110VAC input

Optional Tray 1**Cover**

- 118 RG5-5811-040CN Service cover assembly

Guide

- 119 RB2-6541-000CN Paper guide

Roller

- 120 RF5-3403-000CN Pick-up roller for optional Tray1
121 RF5-3404-000CN Separation roller

Tray Assembly

- 122 C8568-69002 Optional Tray 1 assembly
REQUIRES RETURN OF DEFECTIVE PART
C8568-67902 New Part for C8568-69002

Other Accessories**Cartridge**

- C8543X HP Ultra-Precise print cartridge (Smart print cartridge) - Will print approximately 30,000 pages based on a 5% print density

Manual

- C8519-90912 LaserJet 9000 service manual

Other Internal Parts**Arm**

125 RB2-5639-000CN Shutter arm - Provides mechanical link for cartridge shutter actuator

Cable

126 RG5-5722-000CN Main cable harness and holder assembly
127 RG5-5723-000CN Upper cable guide assembly
128 RG5-5759-000CN Fan connecting cable - For both Fan 1 and 2
129 RG5-5770-000CN Microswitch cable
130 RG5-5771-000CN Fuser power cable
131 RG5-5772-000CN Fusing assembly high voltage cable and connectors
132 RH2-5445-000CN High voltage power supply ribbon cable

Clip

133 XD9-0134-000CN E-ring retainer clip
134 XD9-0136-000CN Retaining E-ring

Connector

135 RG5-5779-000CN Cartridge connector - Connects toner sensor and DC controller board to toner cartridge

Contact

136 RB2-5523-000CN Fuser electrical contact leaf spring

Contact Assembly

137 RG5-5717-000CN Toner cartridge contact assembly

Cover

138 RB2-5531-000CN Blanking cover
139 RB2-5607-000CN Fan cover - Metal cover for fan #5 - Cartridge fan cover
140 RB2-5697-000CN Right front inside corner cover
141 RG5-5721-000CN Front inside cover

Drive

142 RG5-5656-000CN Drum feed drive assembly

Drive Assembly

C8531-69009 2000-sheet feeder drive assembly
RG5-6228-040CN *New Part for C8531-69009*
144 RG5-5659-000CN Fuser delivery drive assembly

Fan

145 RH7-5294-000CN Power supply fan
146 RH7-5295-000CN Controller board fan
147 RH7-5296-000CN Rear delivery fan
148 RH7-5297-000CN Front delivery fan
RH7-5302-000CN Face down tray fan - Fan #6

Fan Assembly

150 RG5-5645-000CN Delivery assembly fans
151 RG5-5729-000CN Cartridge fan assembly

Foot

152 RB1-6421-000CN Chassis foot
153 RB2-5529-000CN Chassis Foot

Other Internal Parts**Fuse**

154 VD7-0643-151CN Fuse - 3.15A, 250V max

Gear

155 RS5-0708-000CN 21 tooth gear

Hardware

156 XA9-0668-000CN Machine screw with captured washer, M3 X 29.5mm

157 XA9-1189-000CN M4 X 10 Screw

Hinge

158 RB2-5654-000CN Front cover hinge

Holder

159 RG5-5724-020CN Fuser connector holder assembly

160 RG5-5725-000CN Cable and holder on back of printer

RG5-5725-030CN New Part for RG5-5725-000CN

Knob

161 RB2-5845-000CN Jam removal knob

162 RG5-5700-000CN Fuser jam removal knob

Latch

163 RB2-5547-000CN Left side alignment latch for front door

164 RG5-5704-000CN Latch mount assembly

Lever

165 RB2-6077-000CN Microswitch lever

Lever Assembly

166 RG5-5746-000CN Cartridge release lever assembly

Lifter Assembly

167 RG5-5741-000CN Cartridge lifter assembly

Link

168 RB2-5528-000CN Connector link - Door ajar flag

Motor

169 RH7-5287-000CN Drum feed drive motor

170 RH7-5288-000CN Fuser delivery motor - 24VDC

Mount

171 RB2-5517-000CN Front fusing mount

172 RB2-5518-000CN Rear fusing mount

173 RB2-5570-020CN Door dampener hinge mount - Left side/Fuser door dampener mount - 2 used

Rail

174 RB2-5515-000CN Front Fusing Rail

175 RB2-5516-000CN Rear Fusing Rail

176 RG5-5713-000CN Left upper rail assembly

177 RG5-5714-000CN Left lower rail assembly

178 RG5-5715-000CN Right rail assembly

179 RG5-5718-000CN Cartridge guide rail - Right side toner cartridge guide rail

Rod

180 RB2-5661-000CN Switch push rod

Other Internal Parts**Roller**

181 RF5-3340-000CN Paper pickup/feed roller assembly - Rubber roller with drive gear - Mounts in the paper pickup unit (two used)

Screw

182 XA9-0596-000CN M3 X 6 screw
NO LONGER SUPPLIED

183 XA9-1200-000CN M3 X 8 Screw

184 XA9-1275-000CN Wafer head machine screw, #2 Phillips, 3M X 6mm

185 XA9-1276-000CN Wafer head machine screw, clear zinc, 3M X 8mm

186 XB6-7300-605CN TP Screw - Pan/washer head machine screw - M3X6

187 XB6-7300-805CN TP Screw - Pan/washer head machine screw - M3X8

Shutter

188 RB2-5640-000CN Laser shutter - Cartridge shutter actuator - Piece that opens cartridge shutter as it is inserted into the printer

Spring

189 RB2-5816-000CN Torsion spring

190 RS6-2296-000CN Laser shutter spring - Provides tension for laser shutter - One on each end of shutter

191 RS6-2298-000CN Tension spring
RS6-2298-020CN New Part for RS6-2298-000CN

192 RS6-2299-000CN Shutter arm tension spring

193 RS6-2302-000CN Compression spring

Switch

194 RB2-5813-000CN Custom/standard media size selection switch

195 WC4-5171-000CN Fuser delivery drive assembly microswitch

Torque Limiter

196 RB2-5759-000CN Torque limiter

Tray Assembly

197 RG5-5635-050CN 500 Sheet tray assembly

Paper Path Parts**Cable**

198 RG5-5679-000CN Paper pickup cable

Delivery

199 RG5-5643-030CN Face down delivery assembly

Flag

200 RB2-6035-000CN Sensor flag - Bin full sensor flag

201 RB2-6036-000CN Sensor flag - Fuser delivery flag

202 RB2-6037-000CN Sensor flag - Delivery sensor flag

Fusing Assembly

203 C8519-69026 Fusing Assembly - Bonds toner to paper with heat - For 100V to 127V Operation
REQUIRES RETURN OF DEFECTIVE PART
RG5-5750-170CN New Part for C8519-69026

204 C8519-69027 Fusing Assembly - Bonds toner to paper with heat - For 220V to 240V Operation
REQUIRES RETURN OF DEFECTIVE PART
RG5-5751-170CN New Part for C8519-69027

205 RG5-5750-170CN Fusing Assembly - Bonds toner to paper with heat - For 100V to 127V Operation

Paper Path Parts**Guide**

206	RB2-5522-000CN	Paper pickup guide
207	RB2-5526-000CN	Cartridge guide
208	RG5-5651-000CN	Transfer feed guide
209	RG5-5654-000CN	Transfer roller guide

Handle

210	RB2-5828-000CN	Registration guide handle
-----	----------------	---------------------------

Hardware

211	XA9-1189-000CN	M4 X 10 Screw
212	XB6-7303-005CN	M3 X 30mm screw

Holder

213	RG5-5653-000CN	Transfer roller holder
-----	----------------	------------------------

Laser/Scanner

214	RG5-5826-000CN	Laser/Scanner assembly
-----	----------------	------------------------

Paper Path Module

215	RG5-6225-050CN	Vertical registration assembly - Registers paper leaving Tray 4 via connection unit up to print engine
216	RG5-6227-000CN	Paper path connection assembly - Directs paper from HCI output to vertical printer input path - Paper path connection between Tray 4 and the print engine

Pickup Assembly

217	RG5-5681-030CN	Paper pickup assembly
-----	----------------	-----------------------

Roller

218	RF5-3319-000CN	Transfer roller - Long black spongy roller - Transfers charge to the paper
-----	----------------	--

Roller Assembly

219	RG5-5663-000CN	Registration roller assembly
-----	----------------	------------------------------

Screw

220	XA9-1276-000CN	Wafer head machine screw, clear zinc, 3M X 8mm
-----	----------------	--

Spring

221	RB2-6042-000CN	Torsion spring - Provides tension for bin full flag
-----	----------------	---

Transfer Assembly

222	RG5-5662-000CN	Transfer roller assembly - Includes both transfer guides and transfer roller
-----	----------------	--

Stapler/Stacker**Accumulator**

223	C8085-60531	Accumulator assembly
-----	-------------	----------------------

Bin

224	C4788-60512	Face up bin - Top paper tray
225	C4788-60513	Stapler bin - Lower tray that holds stapled print jobs

Cable

226	C8085-60515	Flipper and paper path ribbon cable
227	C8085-60517	Jet-link cable and power cord assembly

Carriage

228	C8085-69503	Carriage assembly
-----	-------------	-------------------

Caster

229	C4788-60515	Stationary caster - Fixed position caster
230	C8085-60511	Swivel caster with height adjustable starwheel

Stapler/Stacker**Cover**

231	C8085-60504	Rear cover of 3000 sheet output device
232	C8085-60505	Front cover of 3000 sheet stacker - Front cover - Front cover of 3000 sheet stacker - Includes front inner cover, screws and screw caps
233	C8085-60507	Stapler controller PC board cover
234	C8085-60516	Foot cover - Foot cover for 3000 sheet stacker
235	C8085-60520	Bubbled cover - Bubbled cover - cover for cables on stacker back cover

Door

236	C8085-60506	Stapler/stacker access door
-----	-------------	-----------------------------

Flipper

237	C8085-60500	Paper flipper assembly
-----	-------------	------------------------

Interlock

238	C4788-60514	Interlock switch - Senses when stacker/stapler is correctly attached to printer
-----	-------------	---

Kit

	C4788-60527	Paper stopper clip kit
	C8085-60510	Wing kit - Output accumulator wing replacement
	C8085-60512	Screw kit - Includes all screws used on Stapler/Stacker and 3000 Sheet Stacker
	C8085-60523	Stapler plastic parts kit

PC Board

244	C4788-60510	LED PCA - Control panel LED display
245	C8085-60545	Stapler controller PC Board

Paper Path Module

243	C8085-60501	Paper path router
-----	-------------	-------------------

Power Supply

246	C8085-60534	Stapler power supply
-----	-------------	----------------------

Stacker Assembly

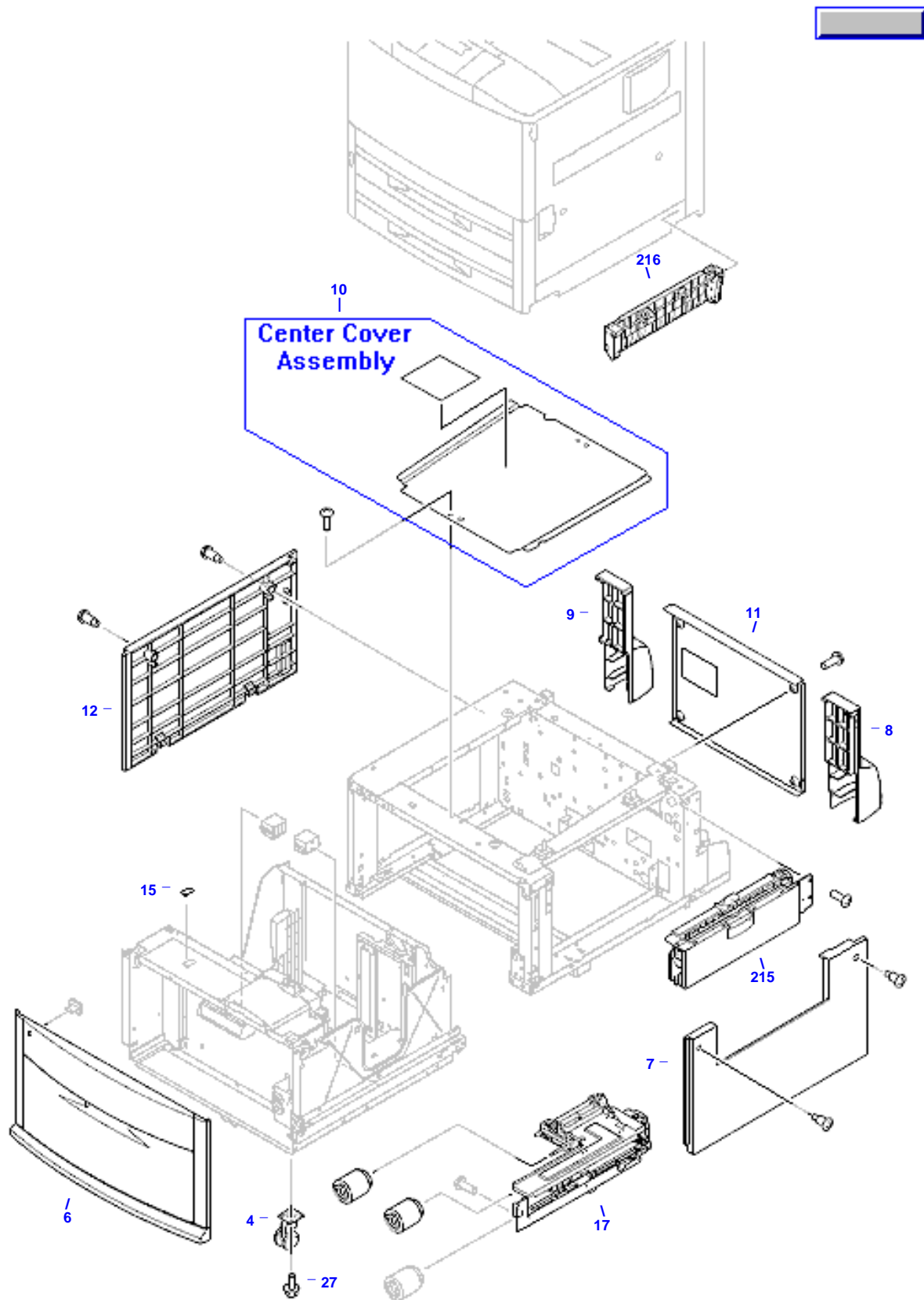
247	C8085A	Optional 3000 sheet stapler and stacker assembly
-----	--------	--

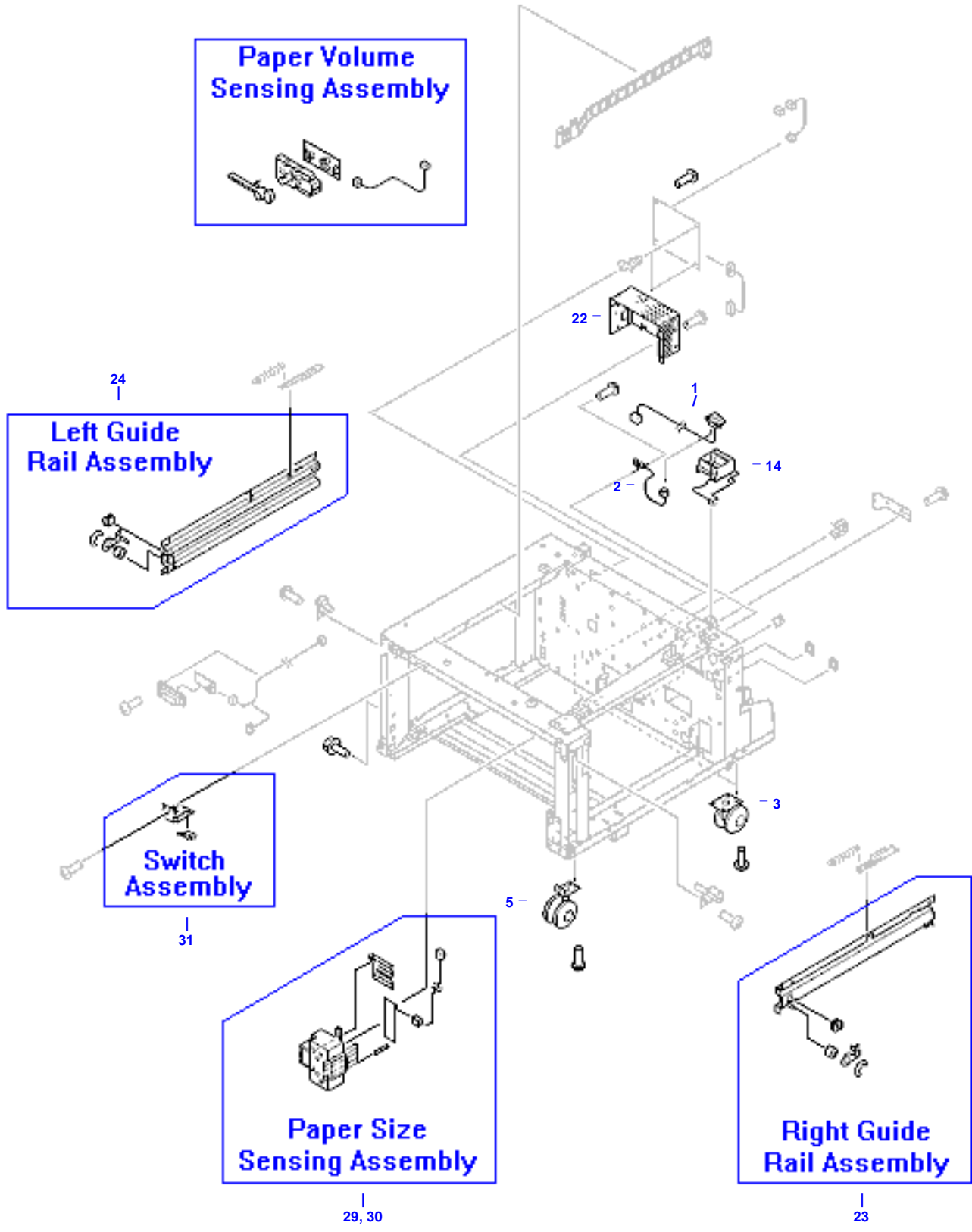
Stapling Unit

248	C8085-60522	Stapler unit for 3000 sheet stapler/stacker
-----	-------------	---

Switch

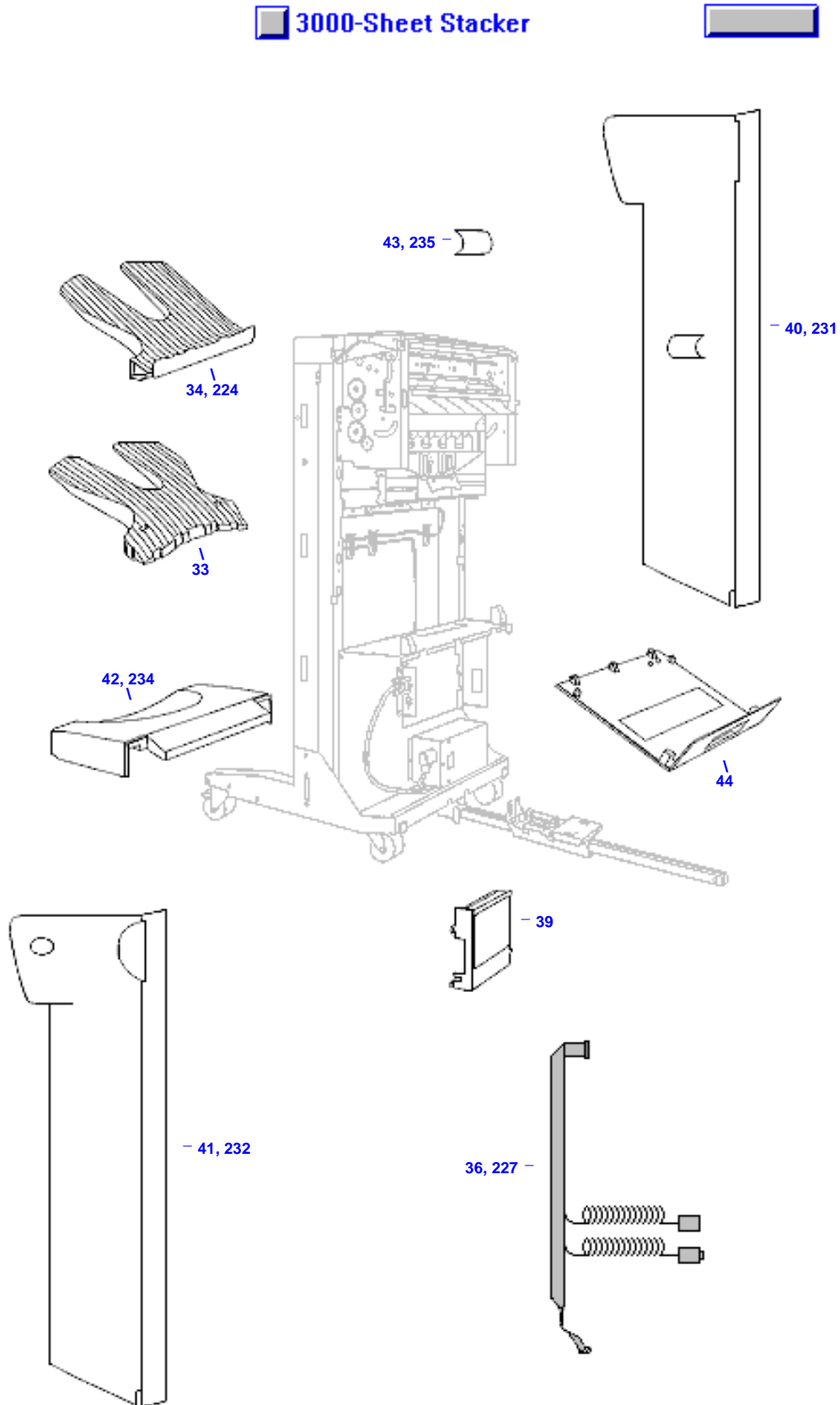
249	C4788-60517	Safety switch assembly - Stapler door safety lock-out switch
-----	-------------	--





3000 Sheet Stacker (1 of 2)

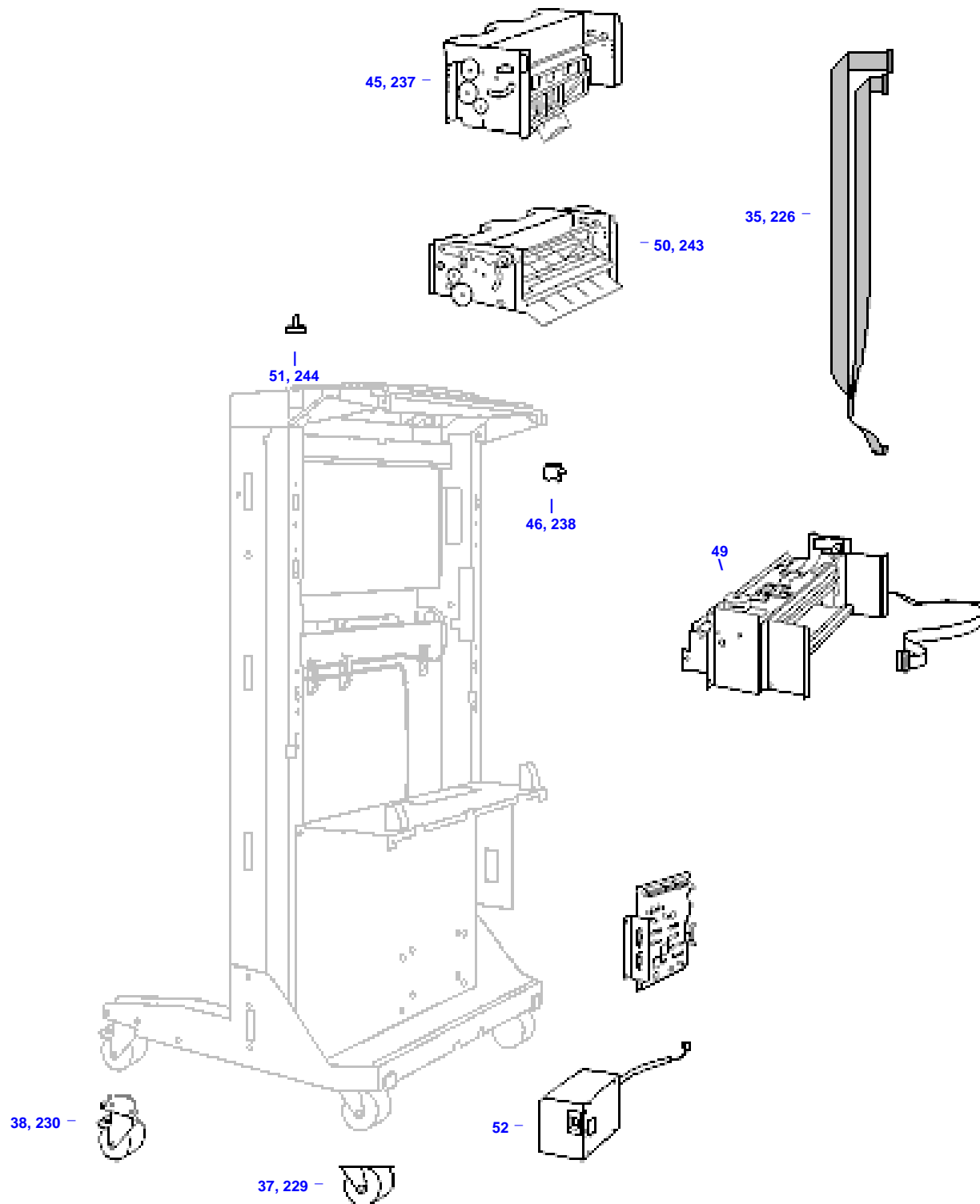
3000-Sheet Stacker



3000 Sheet Stacker (2 of 2)

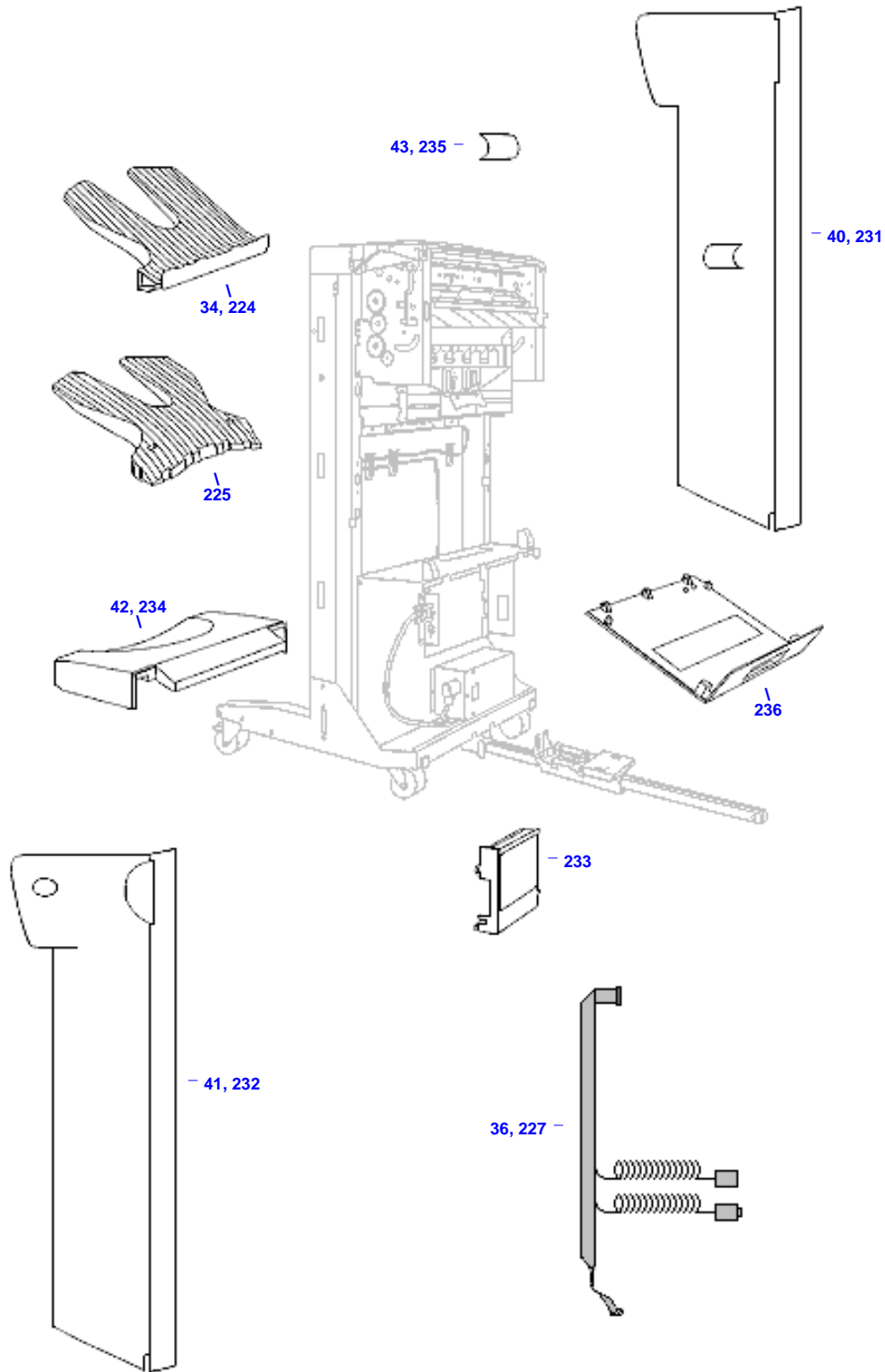


 3000-Sheet Stacker



3000 Sheet Stapler/Stacker (1 of 2)

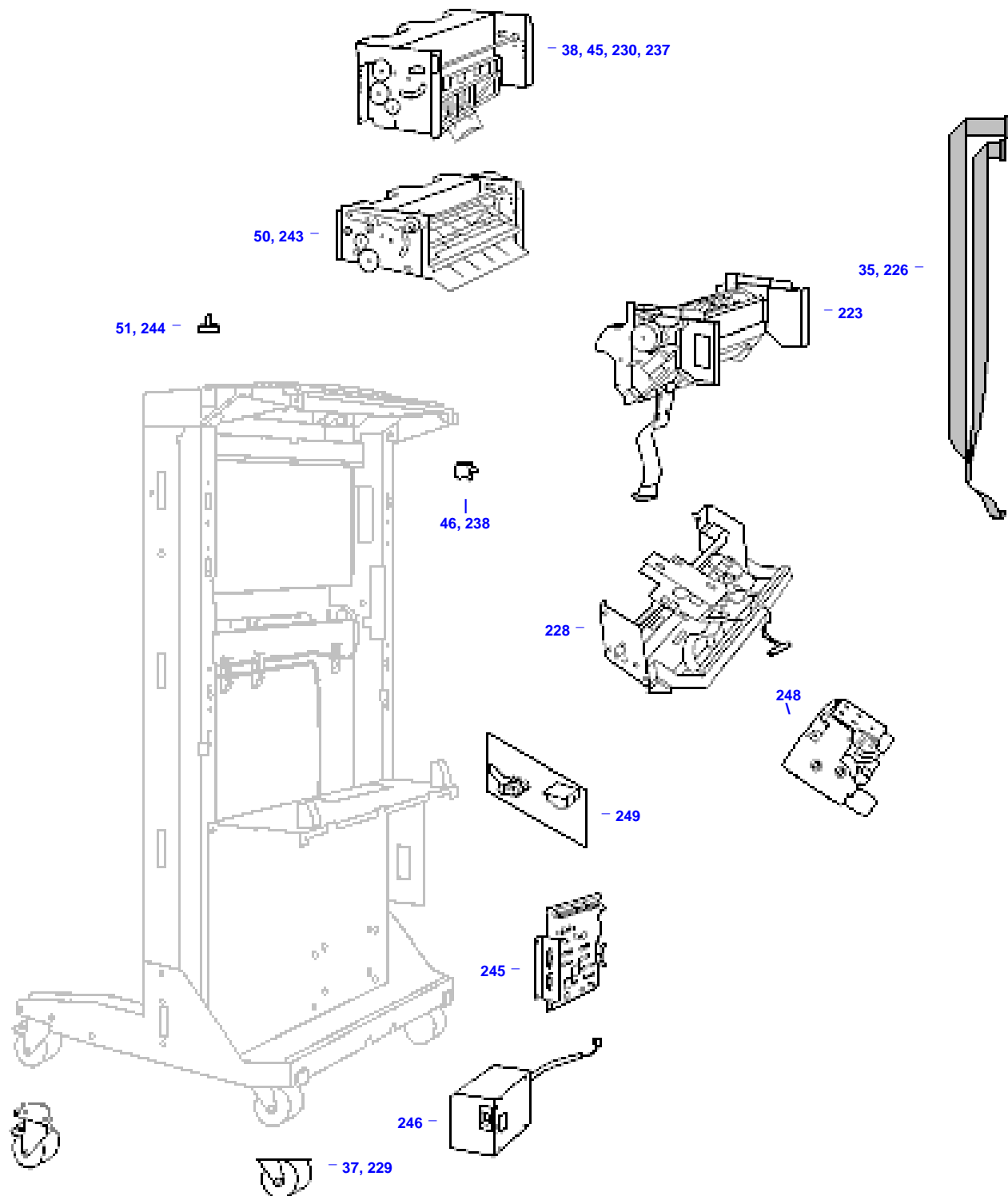
247 -  3000-Sheet Stapler/Stacker



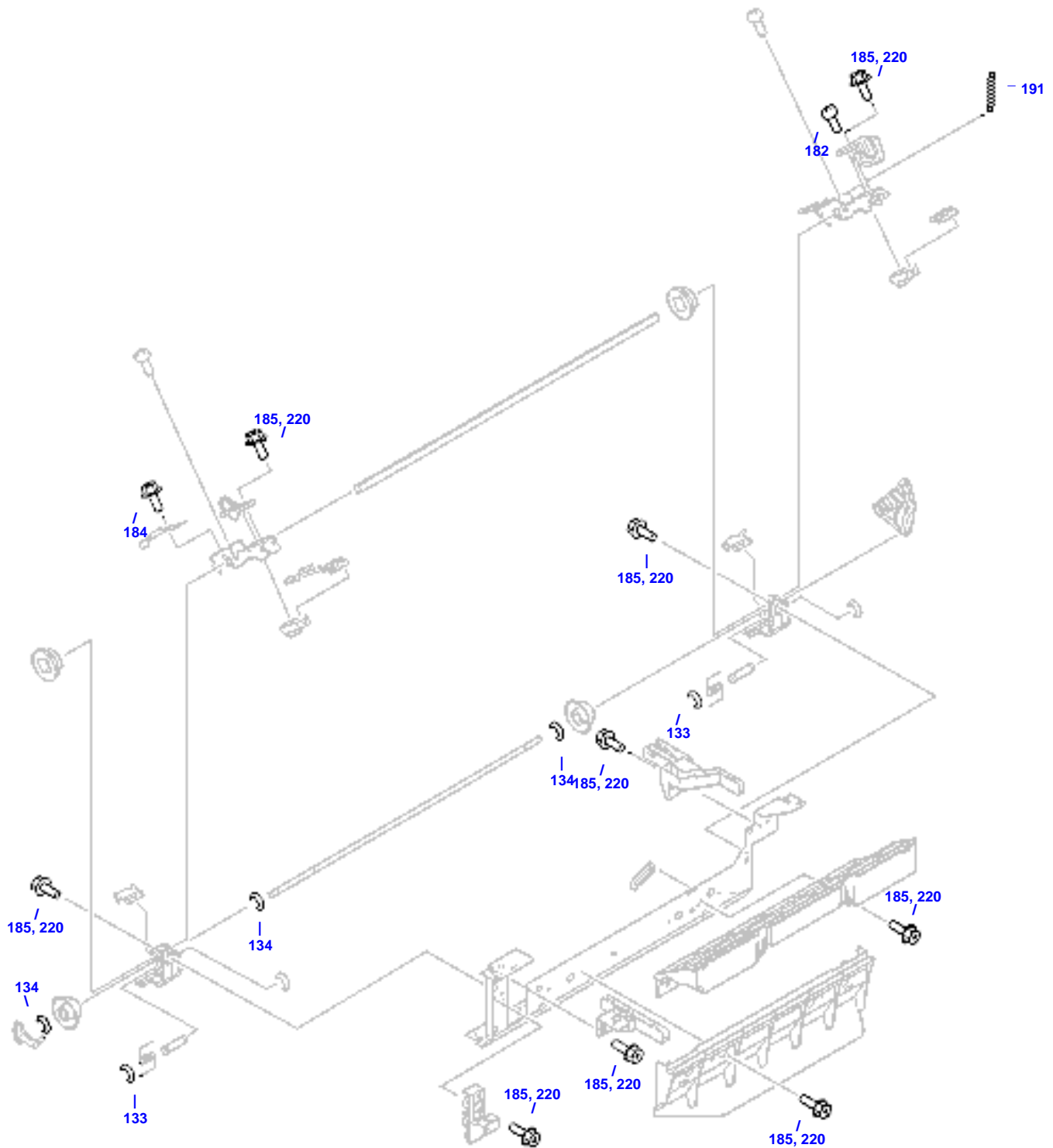
3000 Sheet Stapler/Stacker (2 of 2)



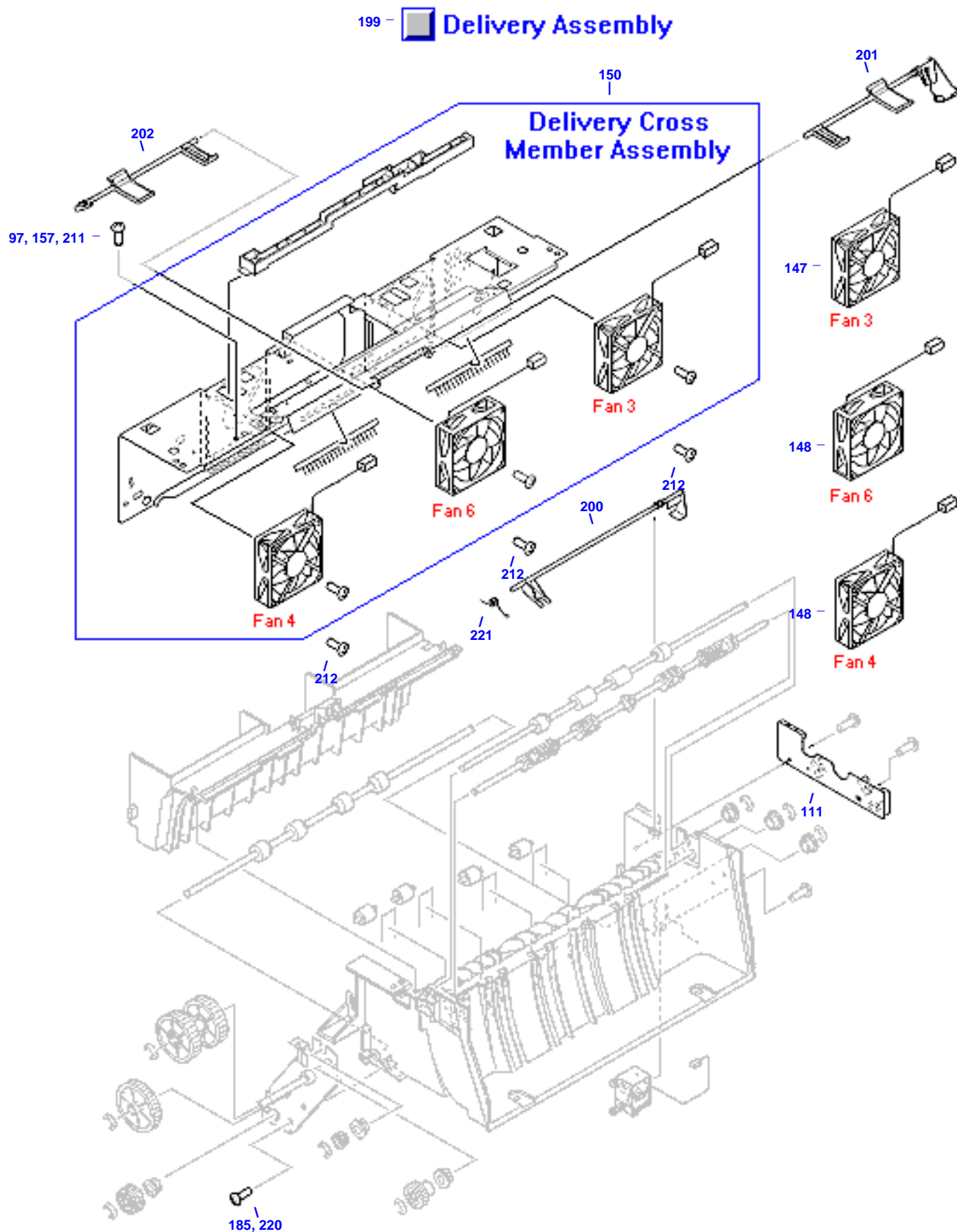
 3000-Sheet Stapler/Stacker



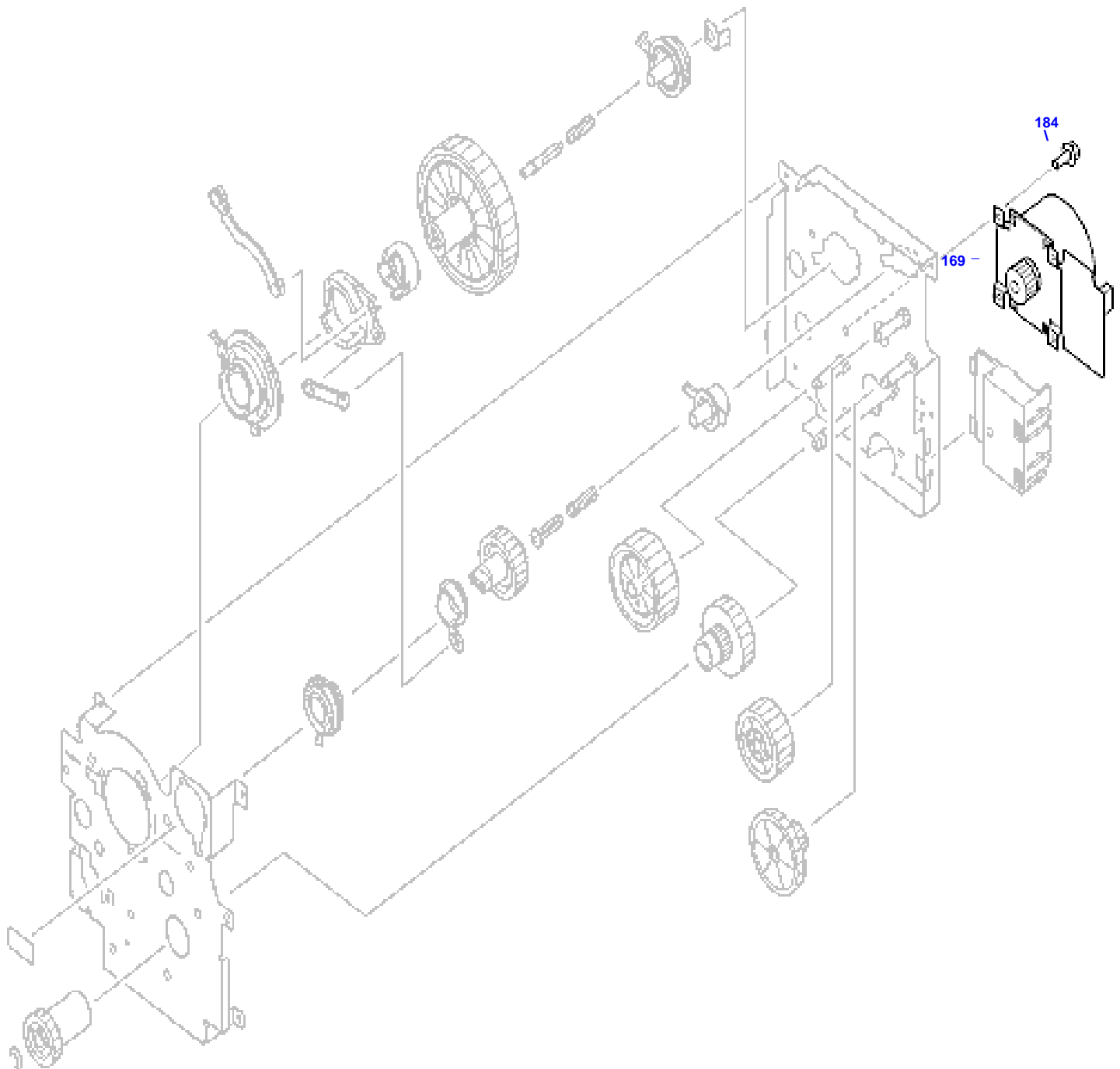
Cartridge Lifter Assembly

167 -  Cartridge Lifter Assembly

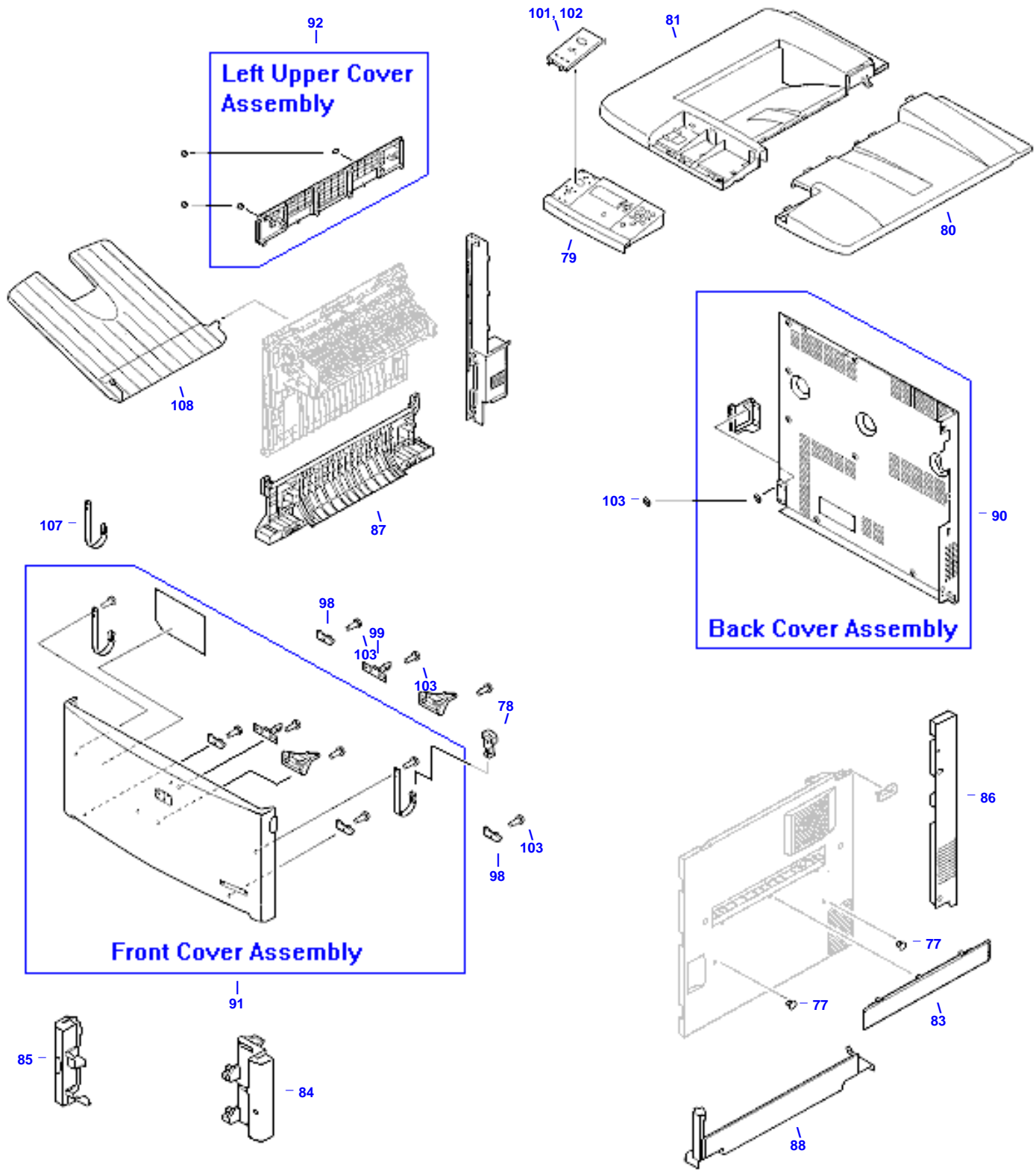
Delivery Assembly



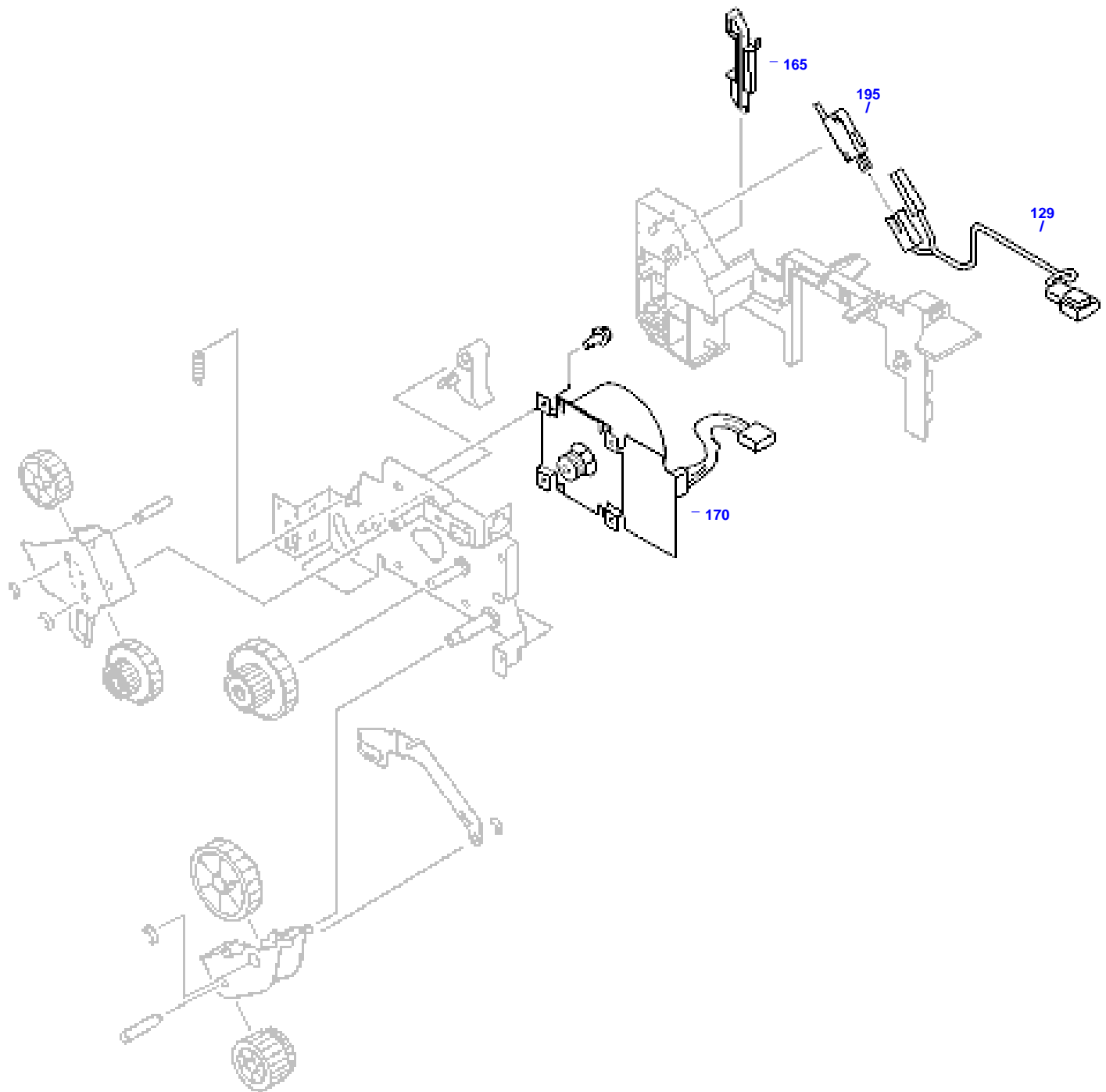
Drum Feed Drive Assembly

142 -  Drum Feed Drive Assembly

External Covers and Panels

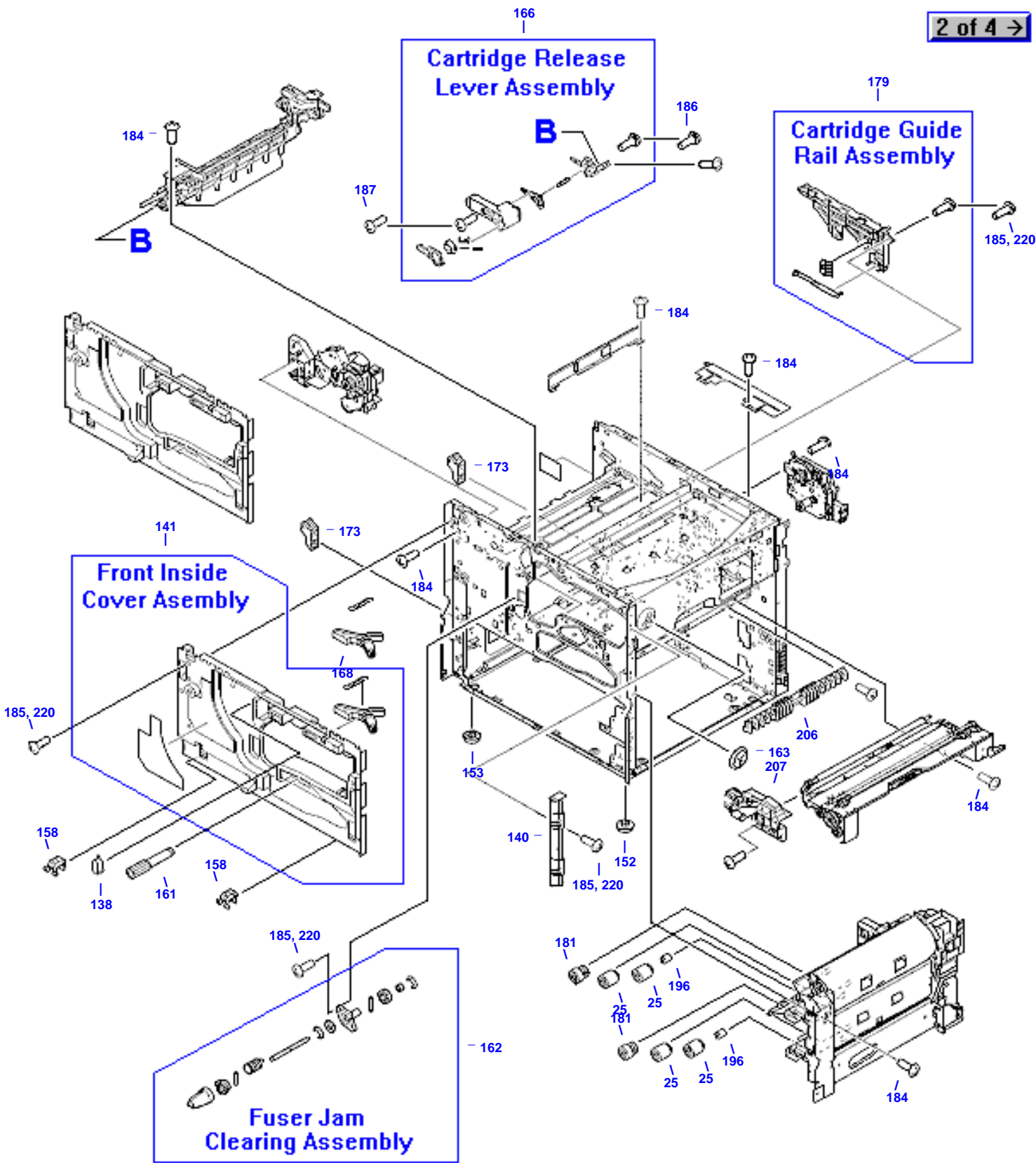


Fuser Delivery Drive Assembly

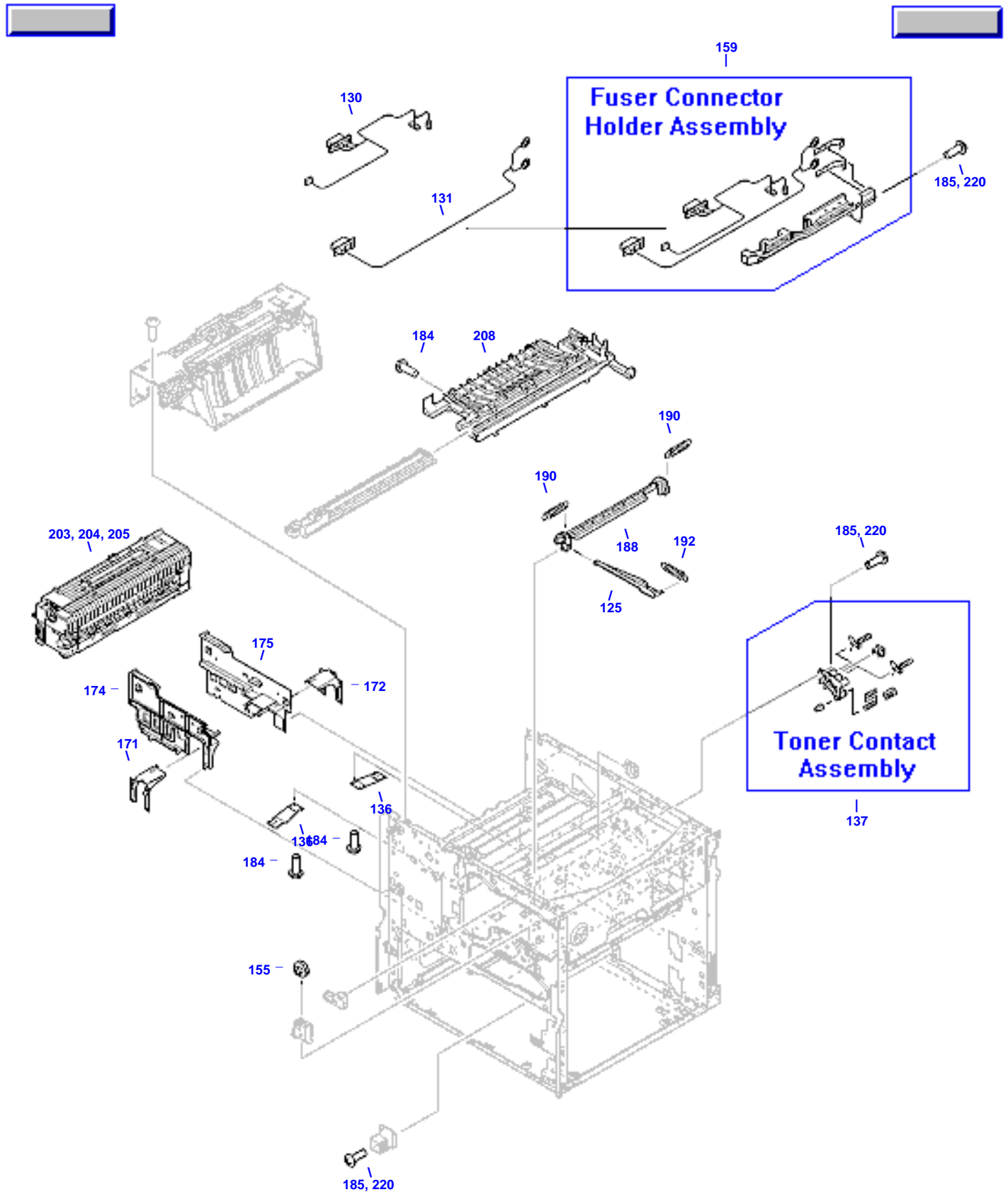
144 -  Fuser Delivery Drive Assembly

Internal Components (1 of 4)

2 of 4 →



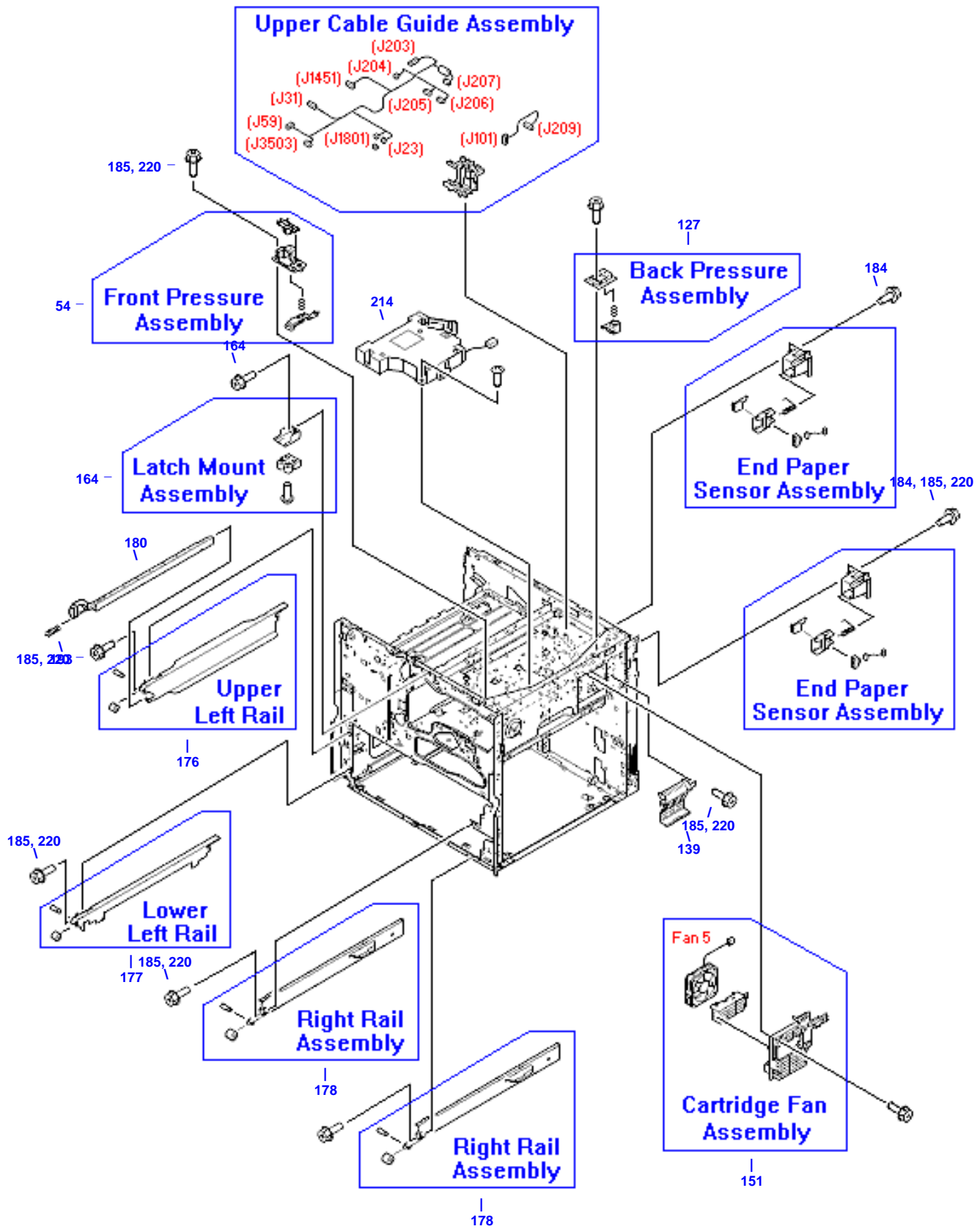
Internal Components (2 of 4)

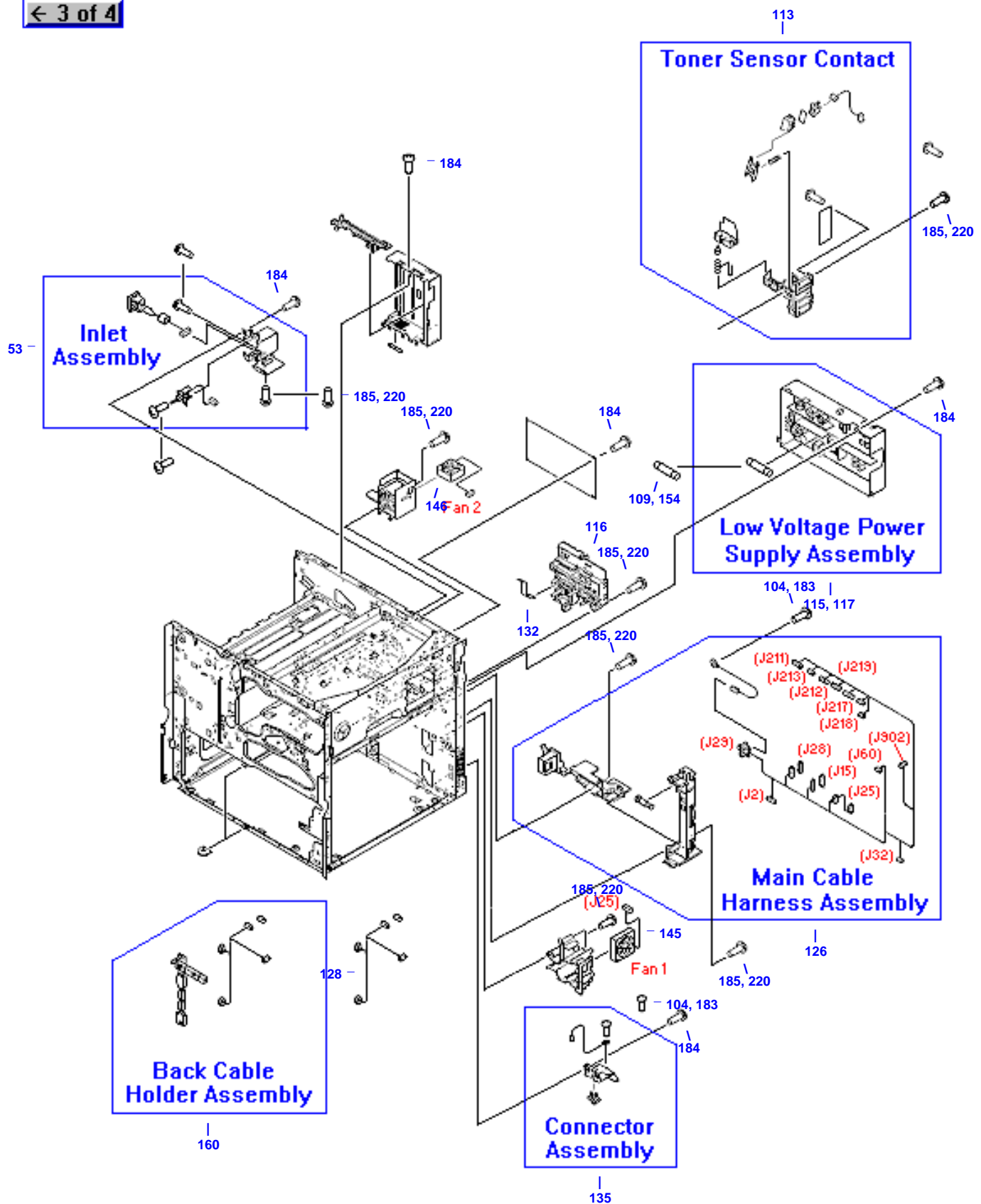


Internal Components (3 of 4)

← 2 of 4

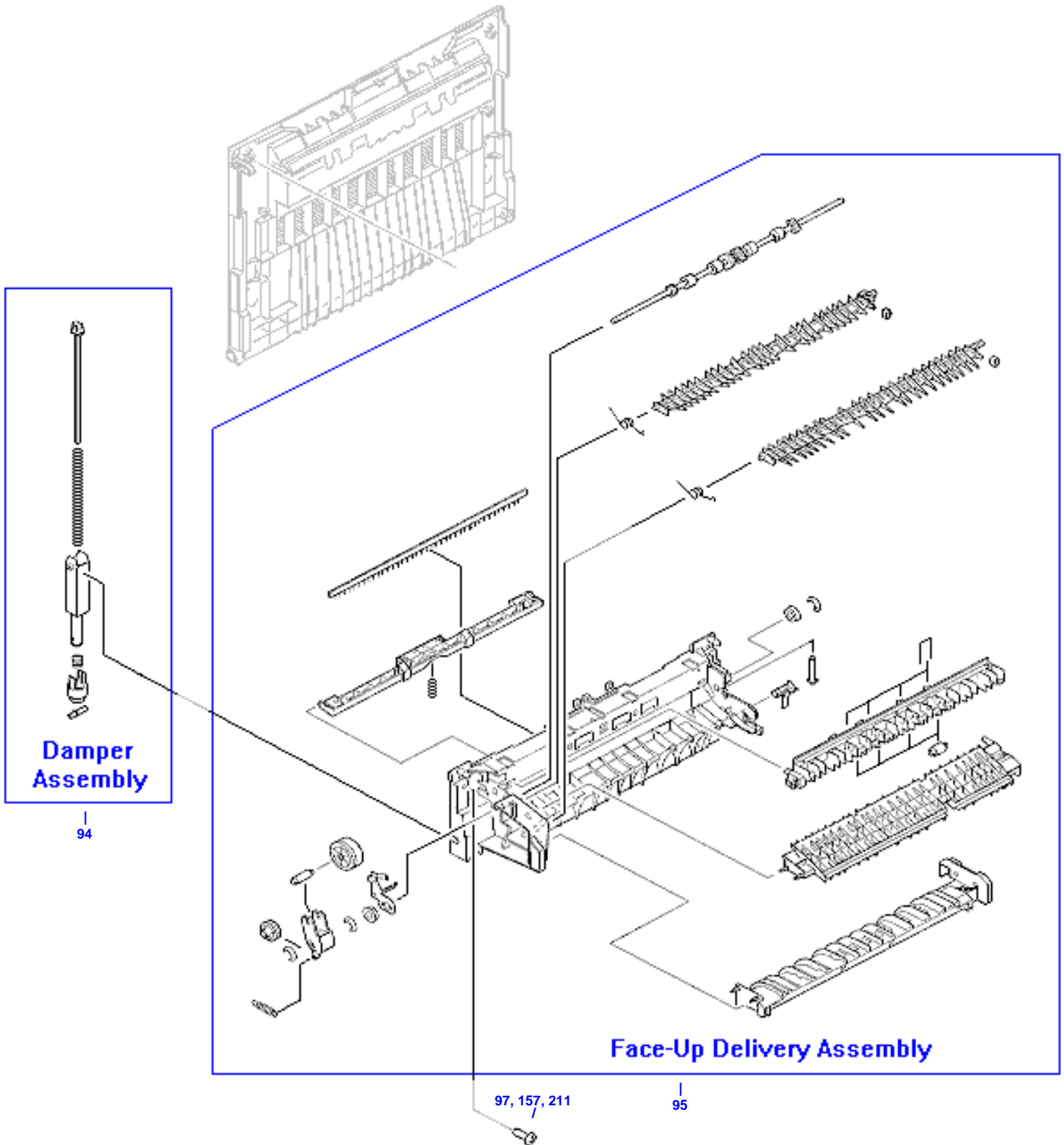
4 of 4 →



Internal Components (4 of 4)**← 3 of 4**

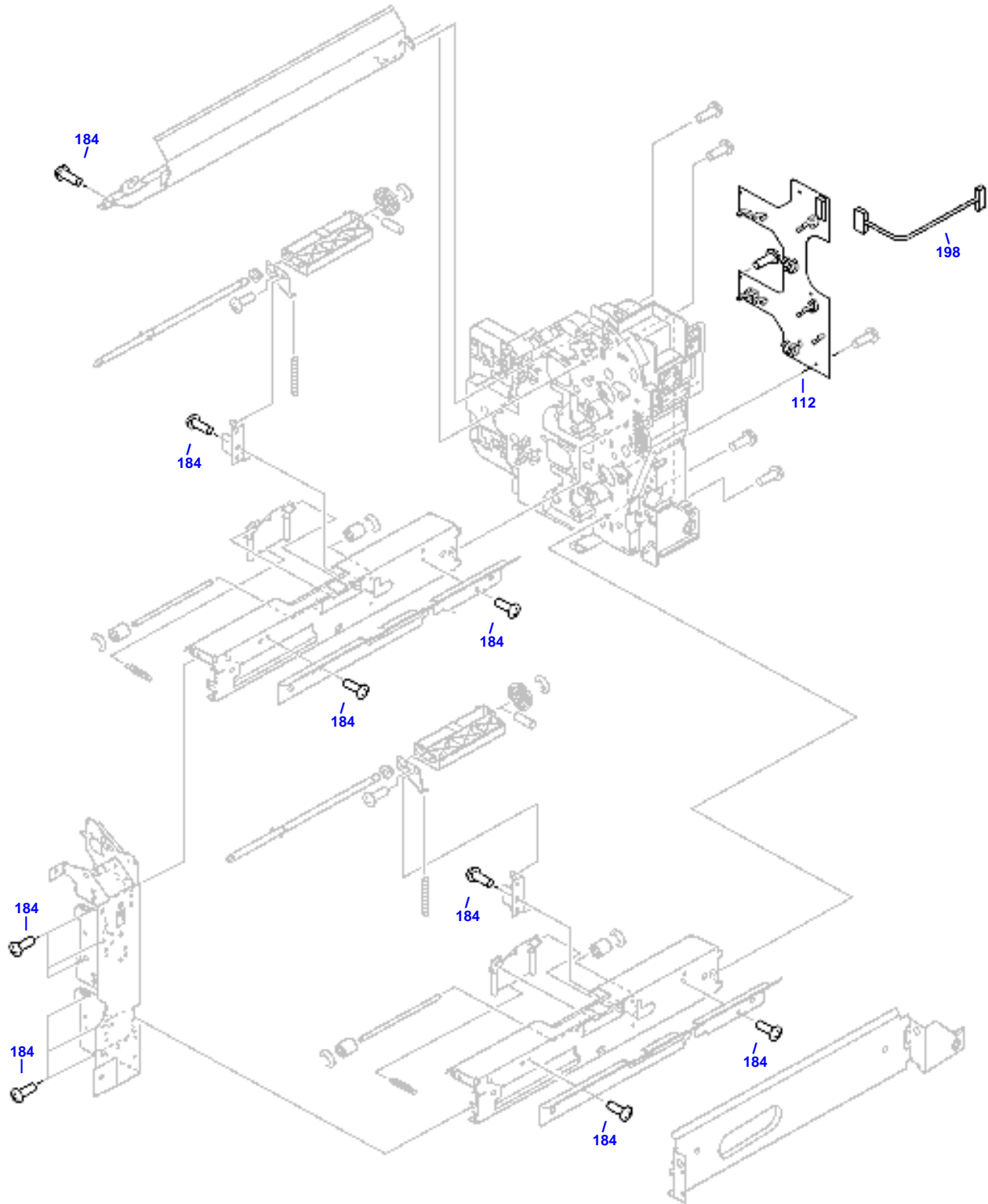
Left Door and Diverter

96 - Left Door and Diverter Assembly



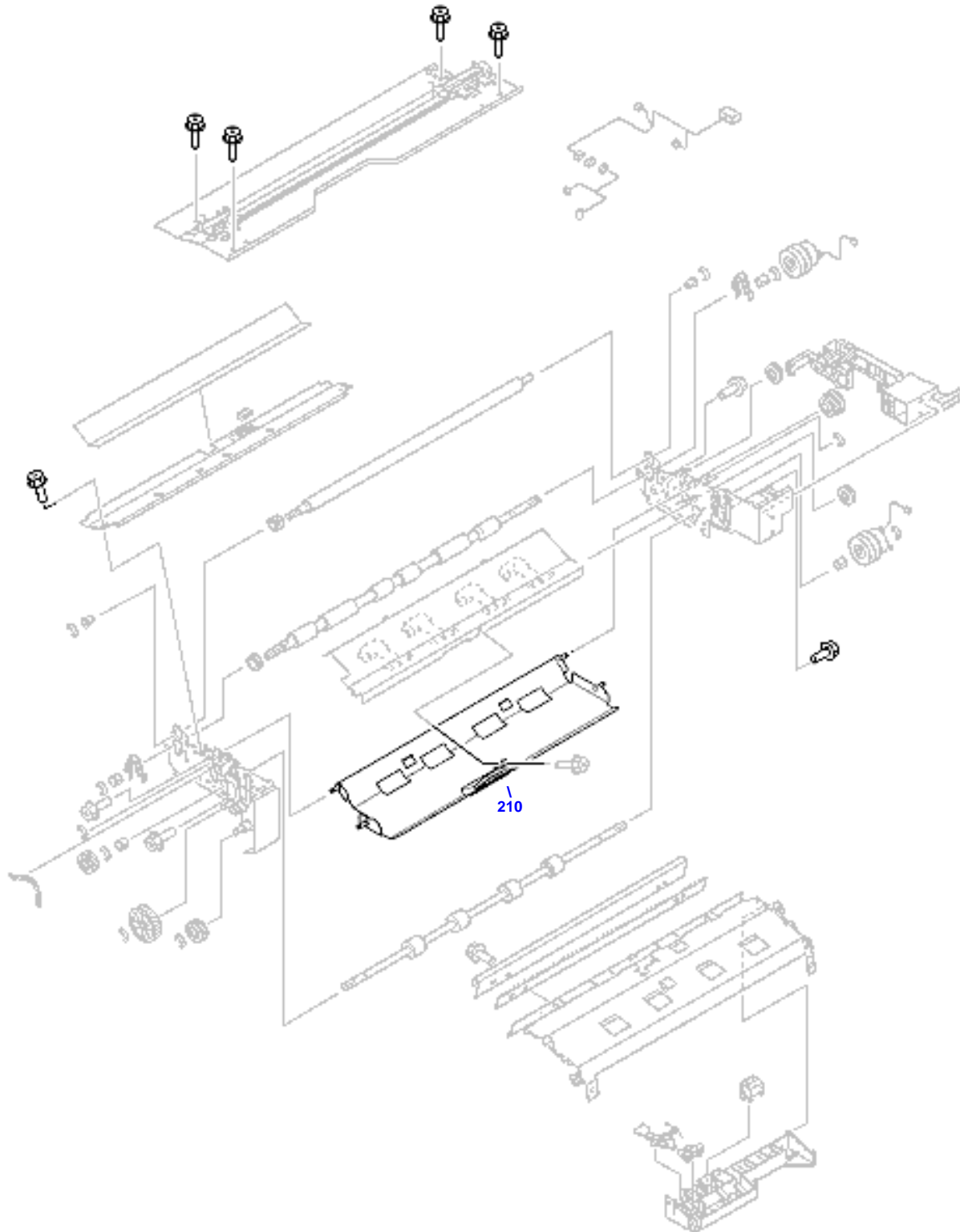
Paper Input Unit

217 -  Paper Input Unit (PIU)

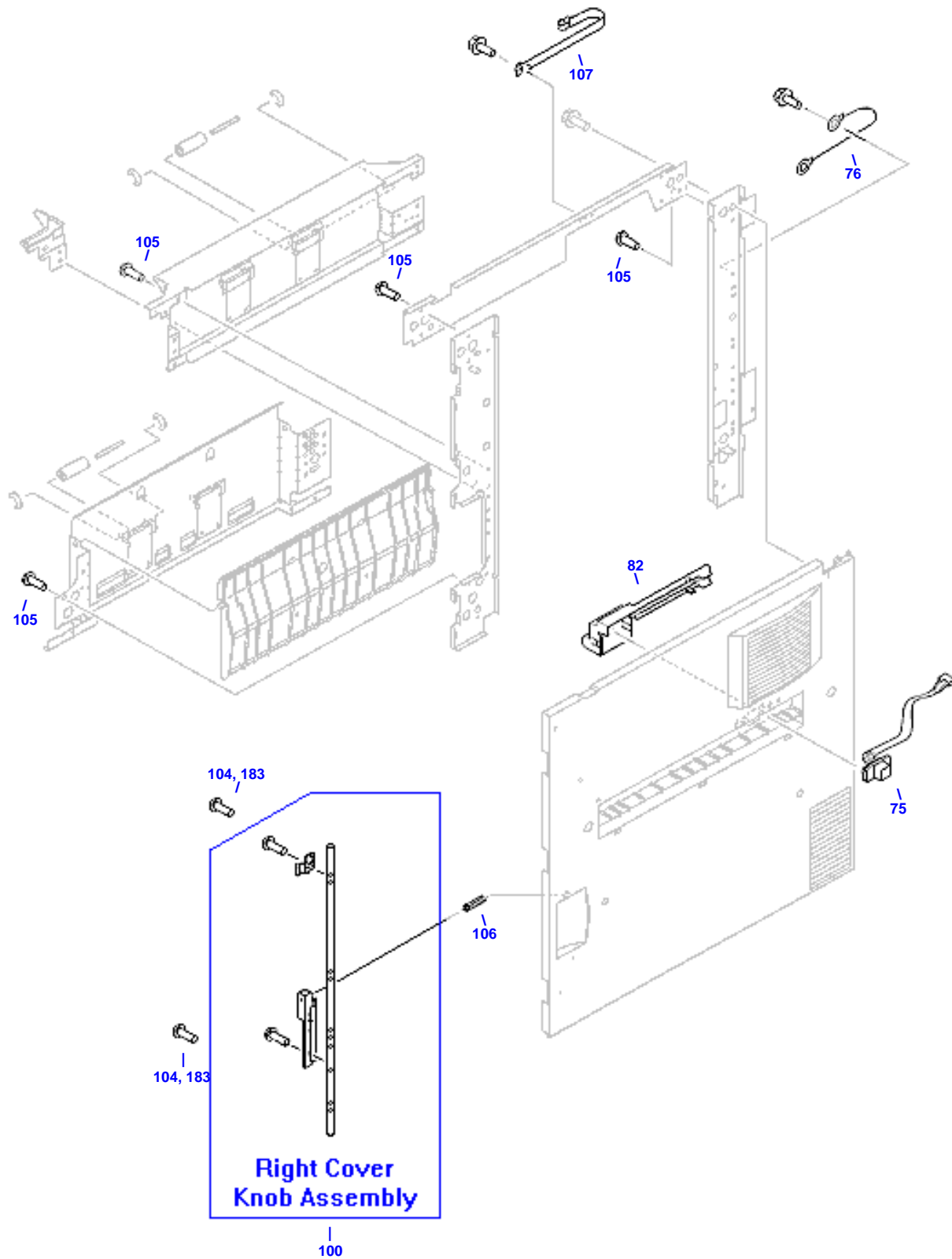


Registration Assembly

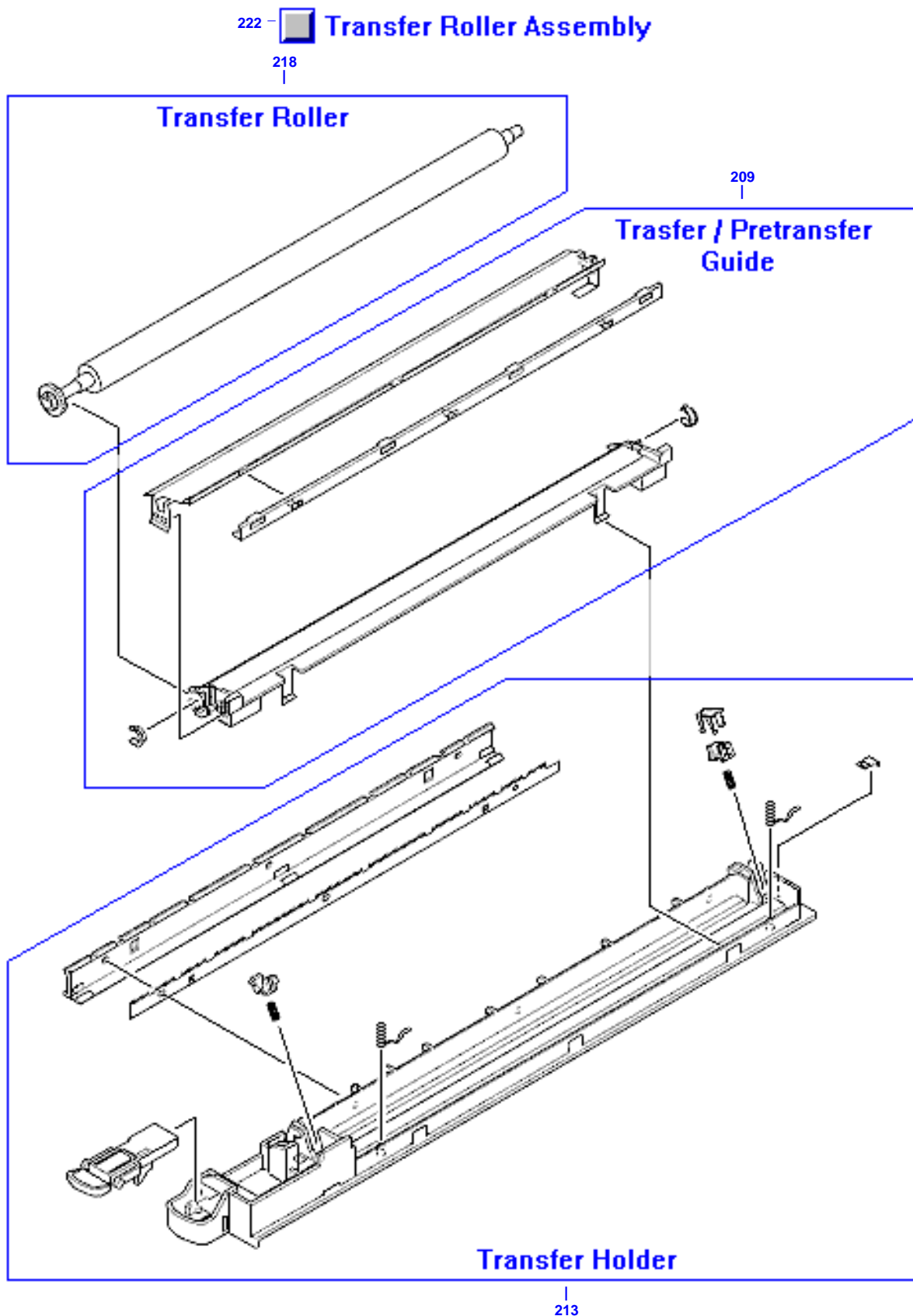
219 -  Registration Assembly



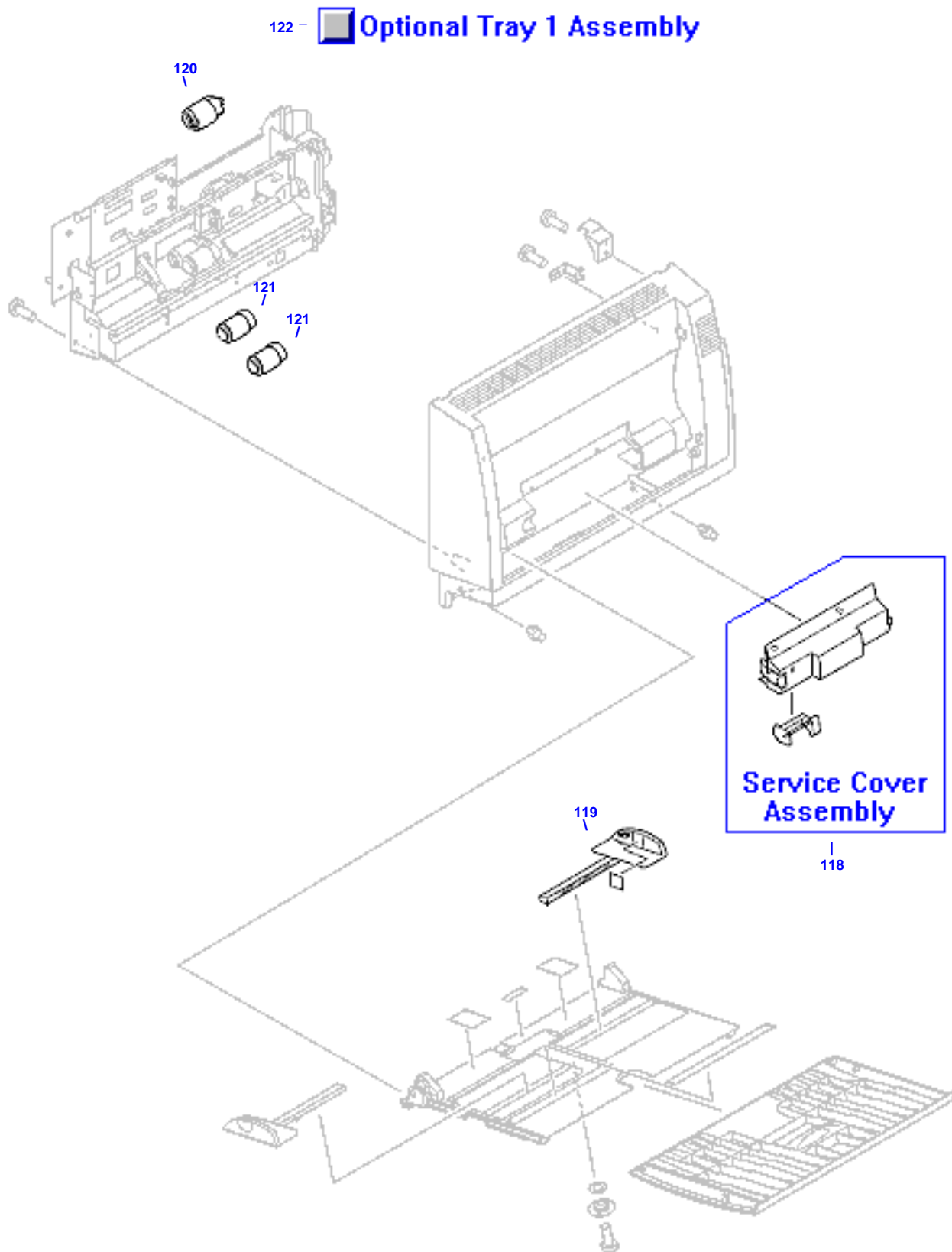
Right Cover Assembly

93 -  Right Side Cover Assembly

Transfer Roller Assembly

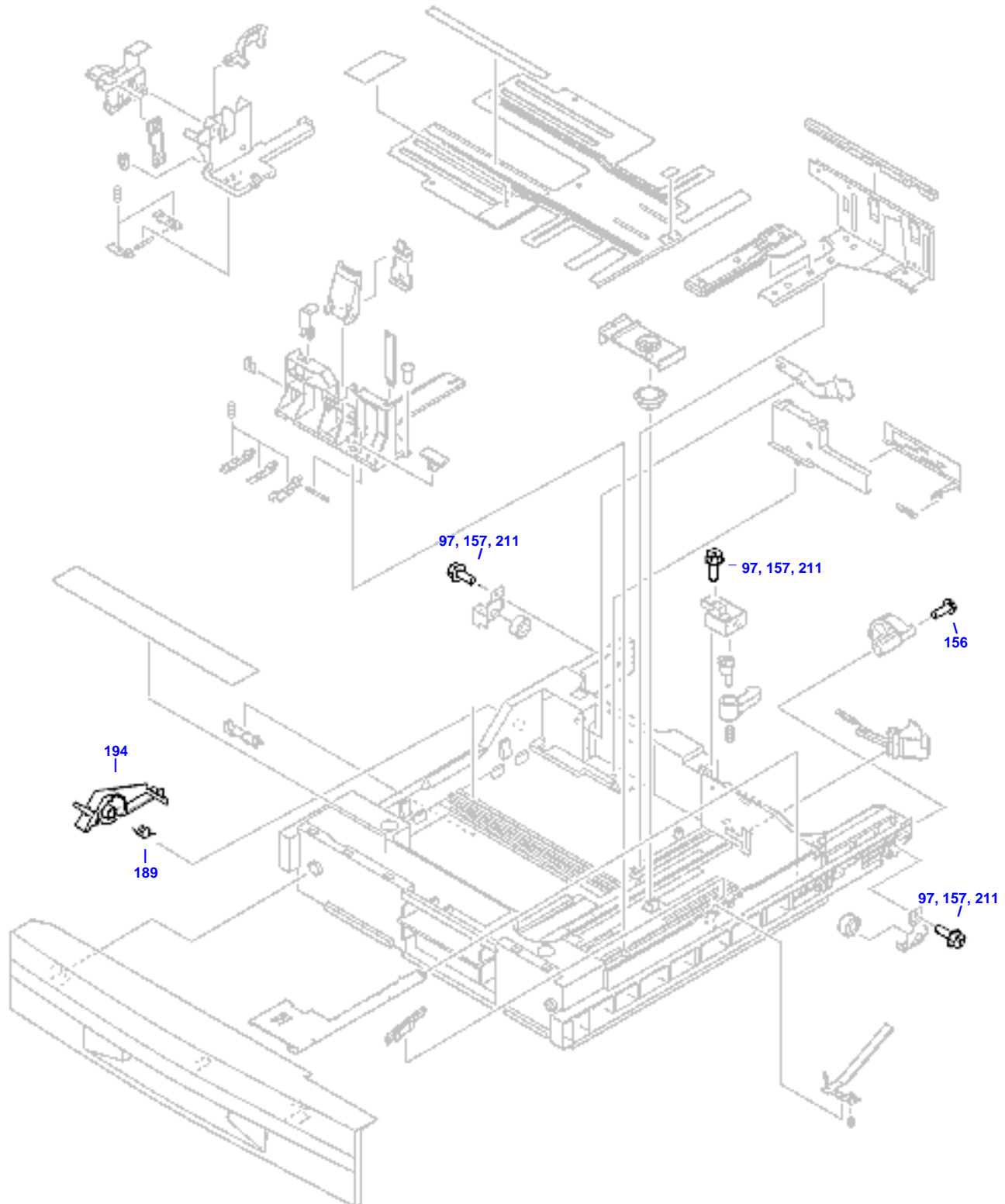


Tray 1 Assembly



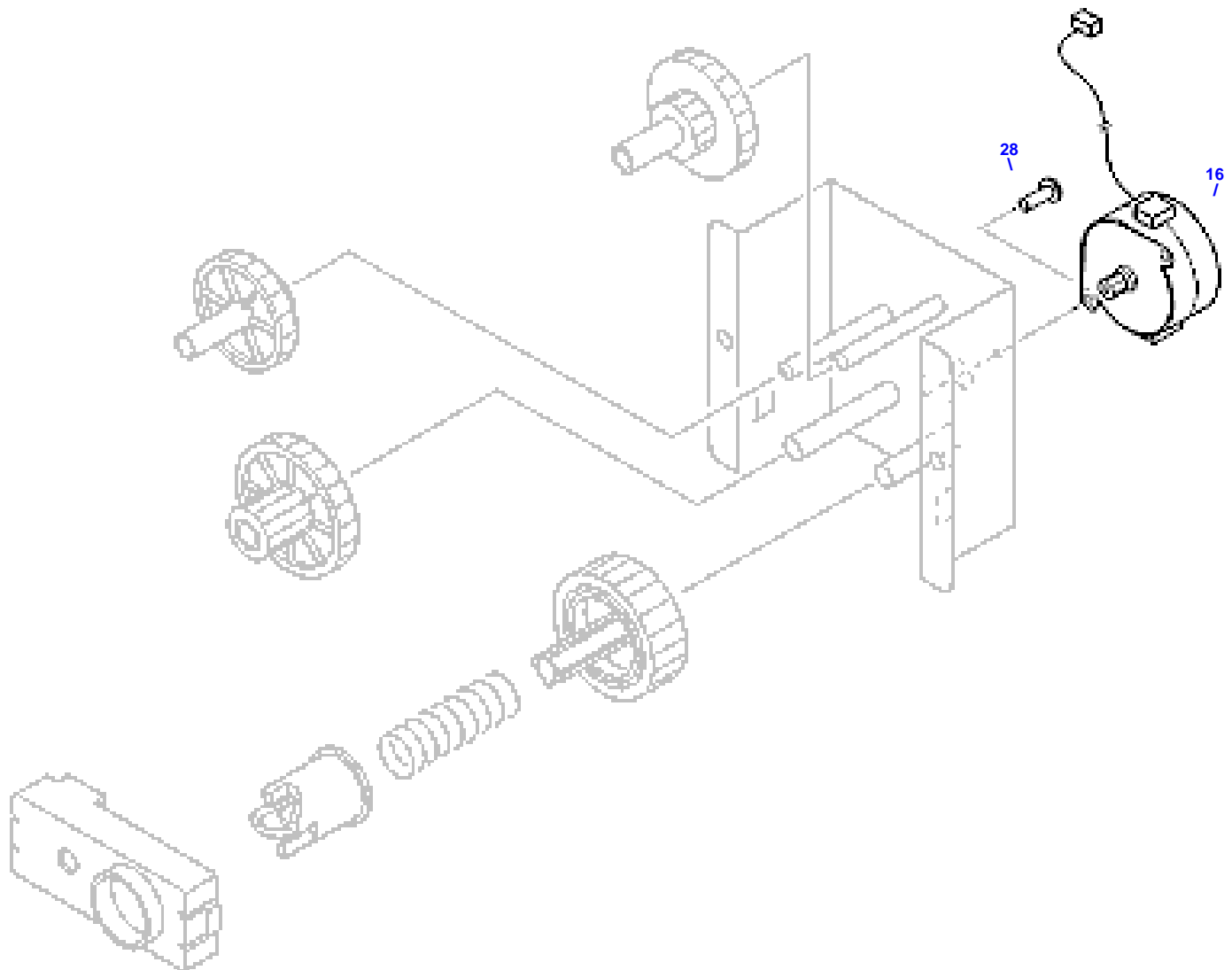
Tray 2 and 3

197 -  500-Sheet Tray Assembly (Tray 2 and 3)

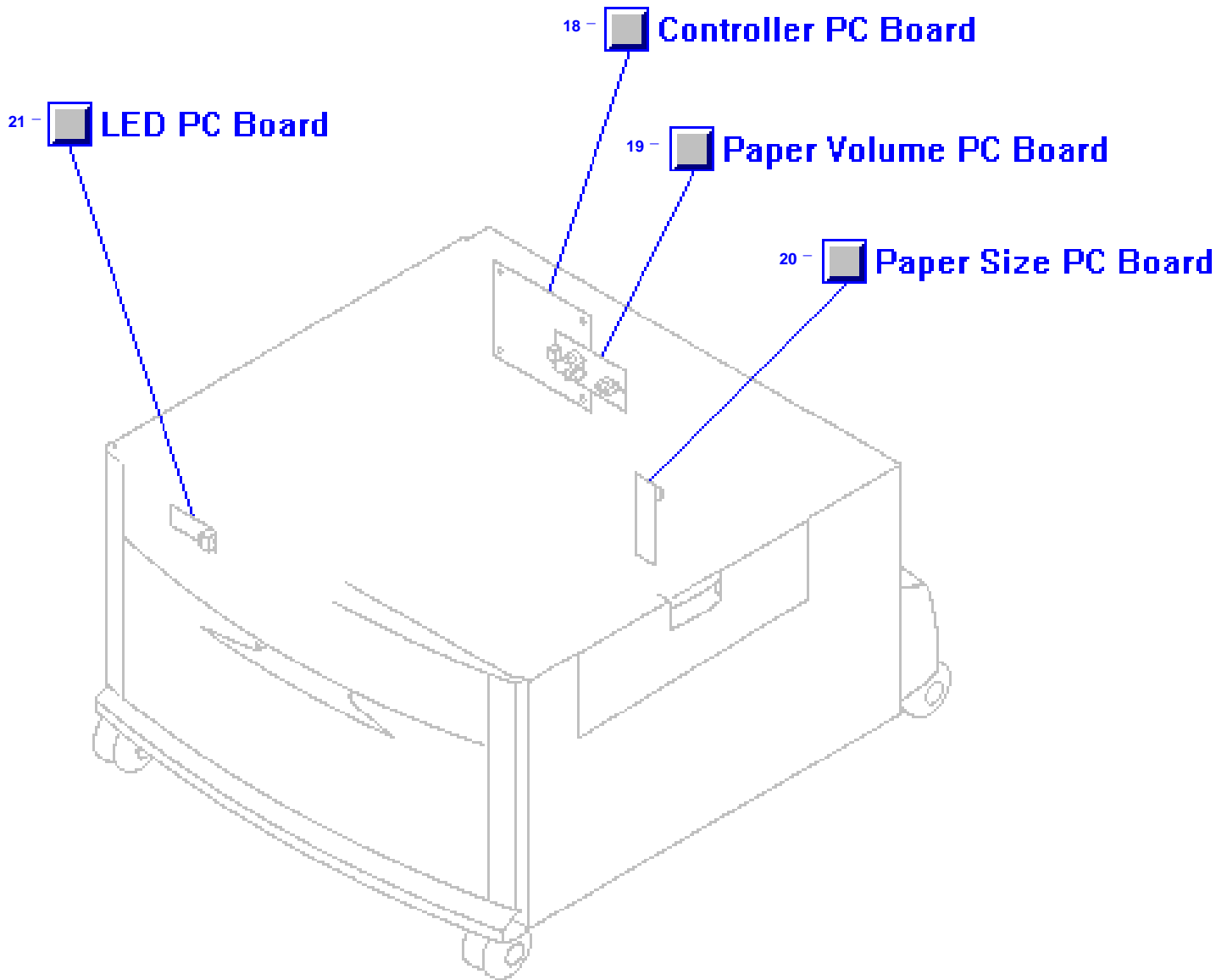


Tray 4 Drive Assembly

13, 143 -  2000-Sheet feeder (Optional Tray 4) Drive Assembly



Tray 4 PC Board Locations





HP Parts Reference Guide

<http://www.hp.com/go/parts>

HP PartSurfer

<http://partsurfer.hp.com>

HP Parts Ordering Information

<http://www.hp.com/go/hpparts>

HP Parts Questions/Comments

<http://partsurfer.hp.com/contactus.htm>